

M7528-MP

f=75mm F/2.8
for 2/3 type Megapixel Cameras
C-Mount

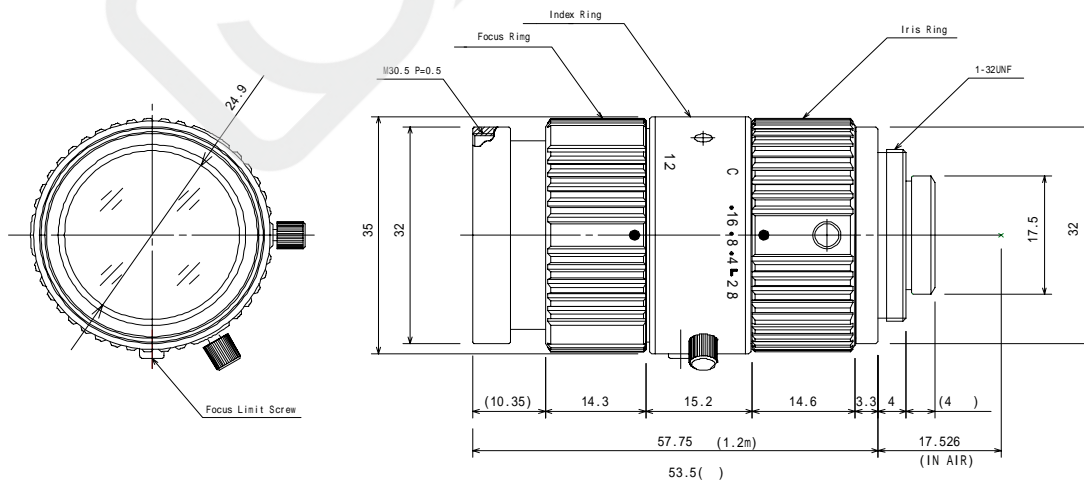


Model No.	M7528-MP		Effective	Front	φ 24.8mm
Focal Length	75mm		Lens Aperture	Rear	13.6mm
Max. Aperture Ratio	1:2.8		Distortion	2/3 type	-0.43%(y=5.5)
Max. Image Format	8.8mm x 6.6mm(11mm)			1/2 type	-0.22%(y=4.0)
Operation Range	Iris	F2.8 F16C	Back Focal Length		21.5mm
	Focus	0.3m Inf. ()	Flange Back Length		17.526mm
Control	Iris	Manual	Mount		C-Mount
	Focus	Manual	Filter Size		M30.5 P=0.5mm
Object Dimension at M.O.D	2/3 type	4.1cm x 3.1cm	Dimensions		35mm x 57.75mm
	1/2 type	3cm x 2.2cm	Weight		113g
Angle of View	D	2/3 type	1/2 type	6.2 °	
	H			5 °	
	V			3.7 °	
Operating Temperature	-10 +50				

() Factory Setting is 0.3 - 1.2m. Focus can be adjusted to infinity by removing "Focus Limit Screw"

M.O.D : Minimum Object Distance

Dimensions



Specifications are subject to change without notice.