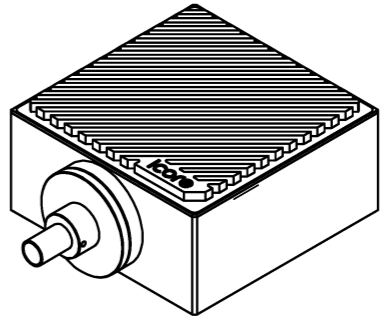
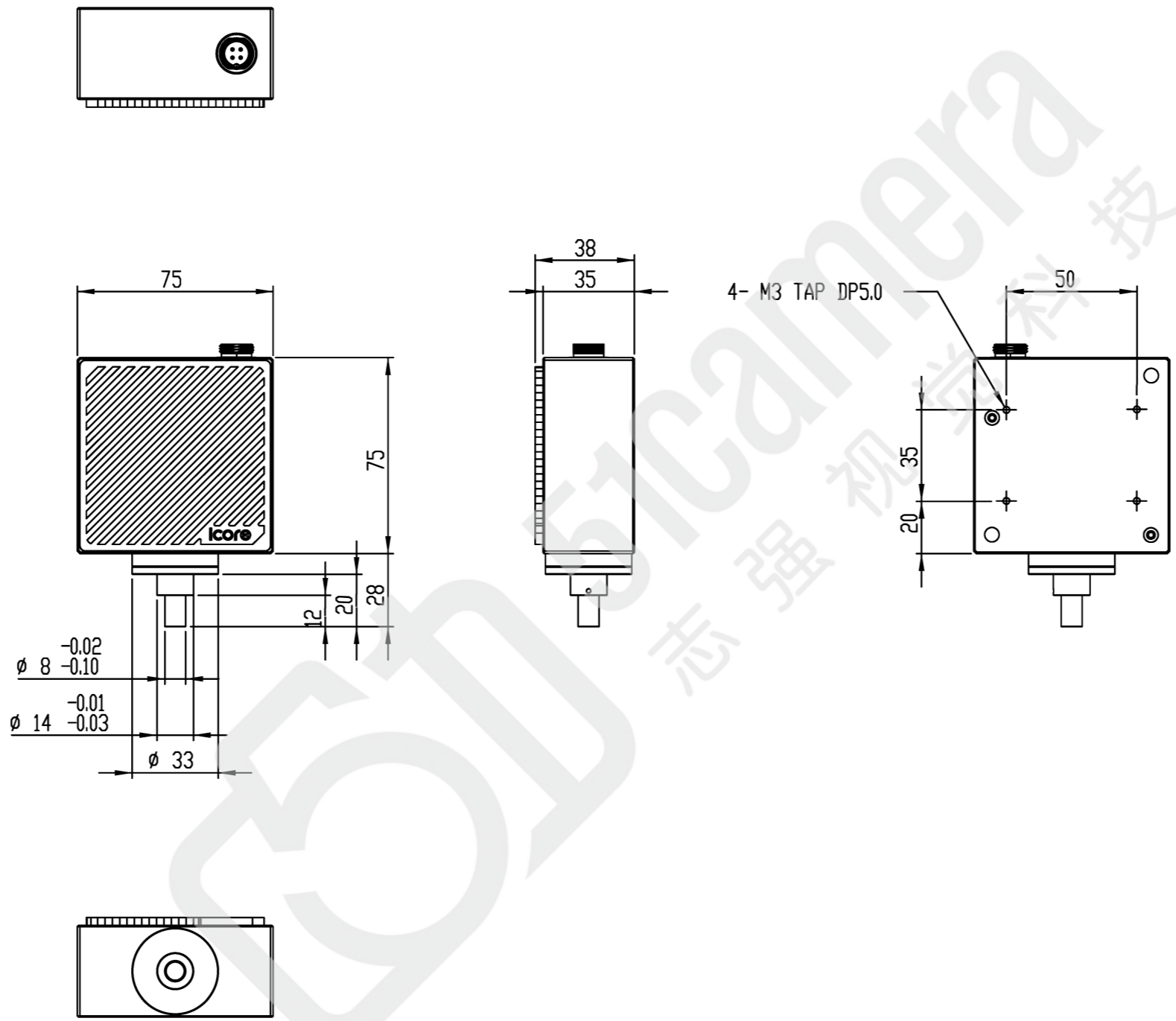


| NO | DESCRIPTION | DESIGNED | CHECKED | APPROVED |
|----|-------------|----------|---------|----------|
| ① | | | | |
| ② | | | | |

A3(420X297)



| | | | |
|--------------|----------------|-------------------|------------|
| icore | | | |
| PRODUCT | ILIGHT | | |
| TITLE | ILS-RGB20A-00A | | |
| REV | 00 | DATE | 2024-05-03 |
| SCALE | 1:2 | www.icorecorp.com | |