

# Linea 8K Camera Link

Monochrome CMOS Line Scan Cameras



## High Performance, Low Cost

The new Linea™ line scan camera delivers the exceptional performance and features found in Teledyne DALSA's current lineup of high-end cameras at an unprecedented price point.

Based on the most advanced CMOS line scan technology, the Linea camera employs an 8k single line 7.04  $\mu\text{m}$  x 7.04  $\mu\text{m}$  pixel array at an 80 kHz maximum line rate. With excellent sensitivity and speed, Linea surpasses the requirements of demanding applications—such as materials grading and inspection, transportation safety, and general purpose machine vision.

Linea is a compact, light weight and robust camera with many attractive features, including flat-field correction, multiple ROI and AOI, smart triggers and programmable GPIO, multiple user configuration sets, and calibration coefficients for various lighting conditions.

GenICam™ compliant Linea is easy to set up and integrate using a GUI, such as Teledyne DALSA's Sopera™ camera configuration utility CamExpert.

### Key Features

- High speed: up to 80 kHz
- 8192 pixel resolution
- Low cost and compact
- Camera Link™ interface

### Programmability

- Multiple regions of interest and areas of interest for calibration and data reduction
- 8 or 12 bit output, selectable
- Smart flat field and lens shading correction
- 8 programmable coefficient sets
- Flexible signalling and synchronization

### Typical Applications

- Automated optical inspection
- Security systems
- High performance sorting systems
- Materials grading and inspection systems
- Web inspection
- General purpose machine vision

### Regulatory Compliance

- CE, FCC and RoHS

### Specifications

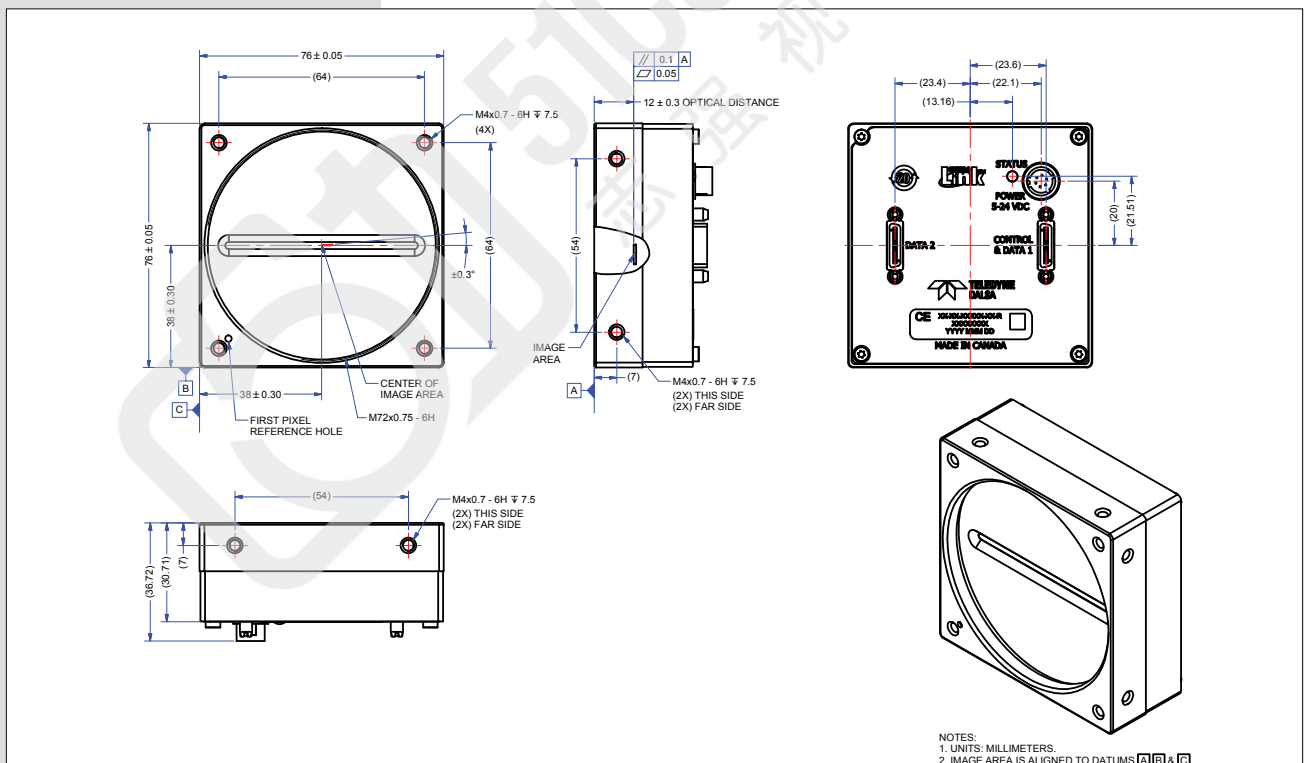
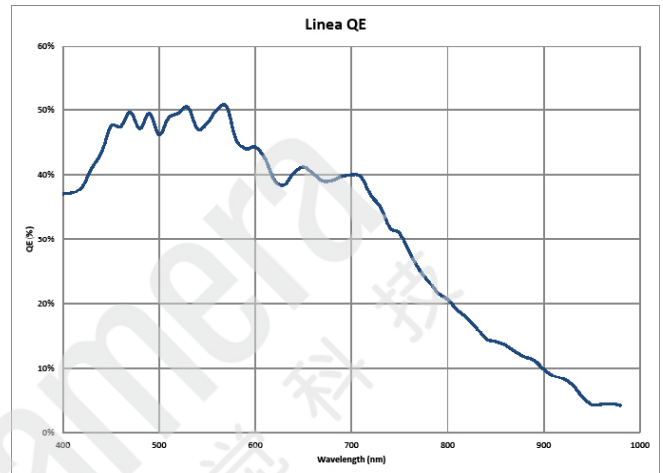
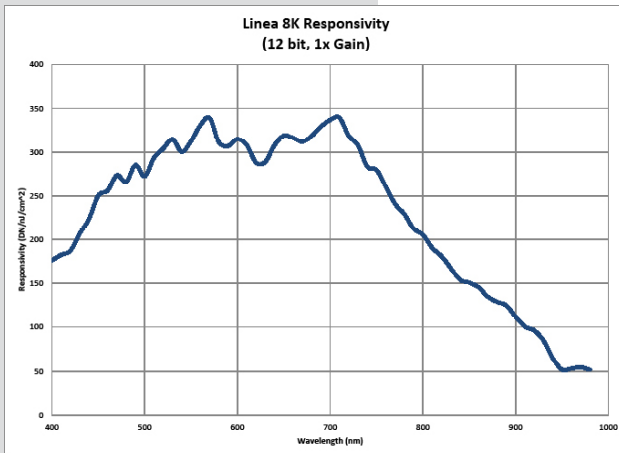
Resolution	8192 pixels
Line Rate	80 kHz, maximum
Pixel Size	7.04 $\mu\text{m}$ x 7.04 $\mu\text{m}$
Data Format	8 or 12 bit selectable
Output	Base, Medium, and Full Camera Link
Lens Mount	M72 x 0.75, F-mount adapter available
Responsivity	320 DN / (nJ / cm <sup>2</sup> ) in 12 bit @ 1x gain
Dynamic Range	> 60 dB
Nominal Gain Range	1x to 10x
Size	76.0 mm x 76.0 mm x 36.72 mm
Mass	< 310 g
Operating Temp	0 °C to +65 °C (front plate)
Power	+5 V to +24 V DC, Hirose 6-pin
Power Dissipation	< 8 W
Control & Data	SDR-26 mini Camera Link

### Models

Part Number	Resolution	Maximum Line Rates	Pixel Size
LA-CM-08K08A-00-R	8192	80 kHz	7.04 $\mu\text{m}$ x 7.04 $\mu\text{m}$

# Linea 8K Camera Link

Monochrome CMOS Line Scan Cameras



[www.teledynedalsa.com](http://www.teledynedalsa.com)

**Americas**  
 Boston, USA  
 +1 978-670-2000  
 sales.americas@teledynedalsa.com

**Europe**  
 Krailling, Germany  
 +49 89-89-54-57-3-80  
 sales.europe@teledynedalsa.com

**Asia Pacific**  
 Tokyo, Japan  
 +81 3-5960-6353  
 sales.asia@teledynedalsa.com

Shanghai, China  
 +86 21-6427-9081  
 sales.asia@teledynedalsa.com

Teledyne DALSA has its corporate offices in Waterloo, Canada  
 Teledyne DALSA reserves the right to make changes at any time without notice. Teledyne DALSA © 2016.  
 Revision number 03-070-20082-02. Revision date October 31, 2016.

