

# FLIR CHAMELEON<sup>®</sup>3

P/N: CM3-U3-13Y3, USB3 VISION



## FLEXIBLE FORM FACTOR + USB3 VISION

The Chameleon3 camera line combines the ease-of-use of USB 3.0, the small size and flexibility of board-level, and the most popular CCD and CMOS image sensors into an affordable package. Available in a compact 44 x 35 x 19.5 mm case or as a 40 x 31 mm board stack. The lightweight metal case is designed for reliability and offers multiple mounting points and a locking USB 3.0 connection. Includes on-camera frame buffer for image retransmission, opto-isolated GPIO with locking connection, and a hassle-free 3-year warranty.

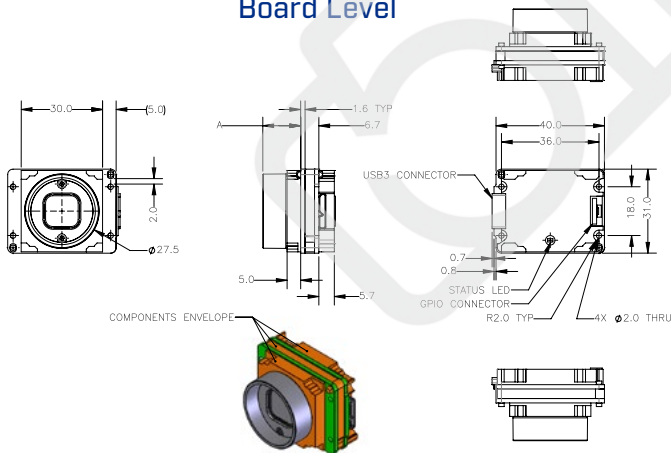


## KEY FEATURES

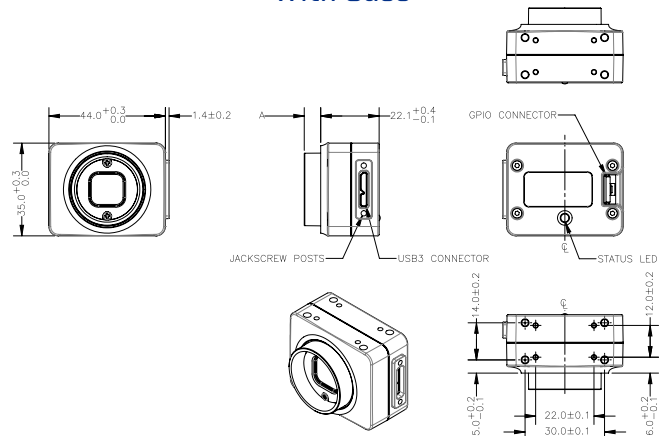
- Boxed and board level available
- On-camera image processing: color interpolation, gamma, and LUT
- 16 MByte frame buffer; LED status indicator



## Board Level



## With Case



## Specifications

	CM3-U3-13Y3M	CM3-U3-13Y3C
Firmware	1.9.3.0	1.9.3.0
Resolution	1280 x 1024	1280 x 1024
Frame Rate	149 FPS	149 FPS
Megapixels	1.3 MP	1.3 MP
Chroma	Mono	Color
Sensor	On Semi P1300, CMOS, 1/2"	On Semi P1300, CMOS, 1/2"
Readout Method	Global shutter	Global shutter
Pixel Size	4.8 µm	4.8 µm
Lens Mount	CS-mount (case) / (S-mount board level)	CS-mount (case) / (S-mount board level)
ADC	10-bit	10-bit
Gain Range	0 dB to 18 dB	0 dB to 18 dB
Exposure Range	0.006 ms to 999.240 ms	0.006 ms to 999.240 ms
Trigger Modes	Standard, bulb, multi-shot	Standard, bulb, multi-shot
Partial Image Modes	Pixel binning, ROI	Pixel binning, ROI
Image Processing	Gamma, lookup table, and sharpness	Gamma, lookup table, hue, saturation, and sharpness
HDR Sequencing	Not supported	Not supported
Image Buffer	16 MB	16 MB
User Sets	2 memory channels for custom camera settings	2 memory channels for custom camera settings
Flash Memory	1 MB non-volatile memory	1 MB non-volatile memory
Opto-isolated I/O Ports	1 input, 1 output	1 input, 1 output
Non-isolated I/O	2 bi-directional	2 bi-directional
Auxiliary Output	3.3 V, 150 mA maximum	3.3 V, 150 mA maximum
Interface	USB 3.0	USB 3.0
Power Requirements	5 - 24 V via GPIO or 5 V via USB 3.0 interface	5 - 24 V via GPIO or 5 V via USB 3.0 interface
Power Consumption	<3 W maximum	<3 W maximum
Dimensions/Mass	44 mm x 35 mm x 19.5 mm (case enclosed); 40 mm x 31 mm (board level) / 54.9 g (case) / 27.9 g (board level)	44 mm x 35 mm x 19.5 mm (case enclosed); 40 mm x 31 mm (board level) / 54.9 g (case) / 27.9 g (board level)
Machine Vision Standard	USB3 Vision v1.0	USB3 Vision v1.0
Compliance	CE, FCC, KCC, RoHS. The ECCN for this product is: EAR099.	CE, FCC, KCC, RoHS. The ECCN for this product is: EAR099.
Temperature	Operating: 0° to 45°C Storage: -30° to 60°C	Operating: 0° to 45°C Storage: -30° to 60°C
Humidity	Operating: 20% to 80% (no condensation) Storage: 20% to 95% (no condensation)	Operating: 20% to 80% (no condensation) Storage: 20% to 95% (no condensation)
Warranty	3 years	3 years

### FLIR Integrated Imaging Solutions

#### CANADA

12051 Riverside Way  
Richmond, BC, Canada  
V6W 1K7  
T: +1 866.765.0827 (toll free)  
T: +1 604.242.9937  
F: +1 604.242.9938  
E: mv-sales@flir.com  
www.flir.com/iis

#### USA

T: +1 866.765.0827 (toll free)  
E: mv-na-sales@ptgrey.com

#### EUROPE

T: +49 7141 488817-0  
F: +49 7141 488817-99  
E: mv-eusales@flir.com

#### CHINA

T: +86 10 8215 9938  
F: +86 10 8215 9936  
E: mv-chinasales@flir.com

#### ASIA

E: mv-asiasales@ptgrey.com

For a full list of international distributors and offices visit [www.flir.com/contact-us](http://www.flir.com/contact-us)

©2017 FLIR® Integrated Imaging Solutions Inc. All rights reserved. Names and marks appearing on the products herein are either registered trademarks or trademarks of FLIR® Systems, Inc. and/or its subsidiaries.