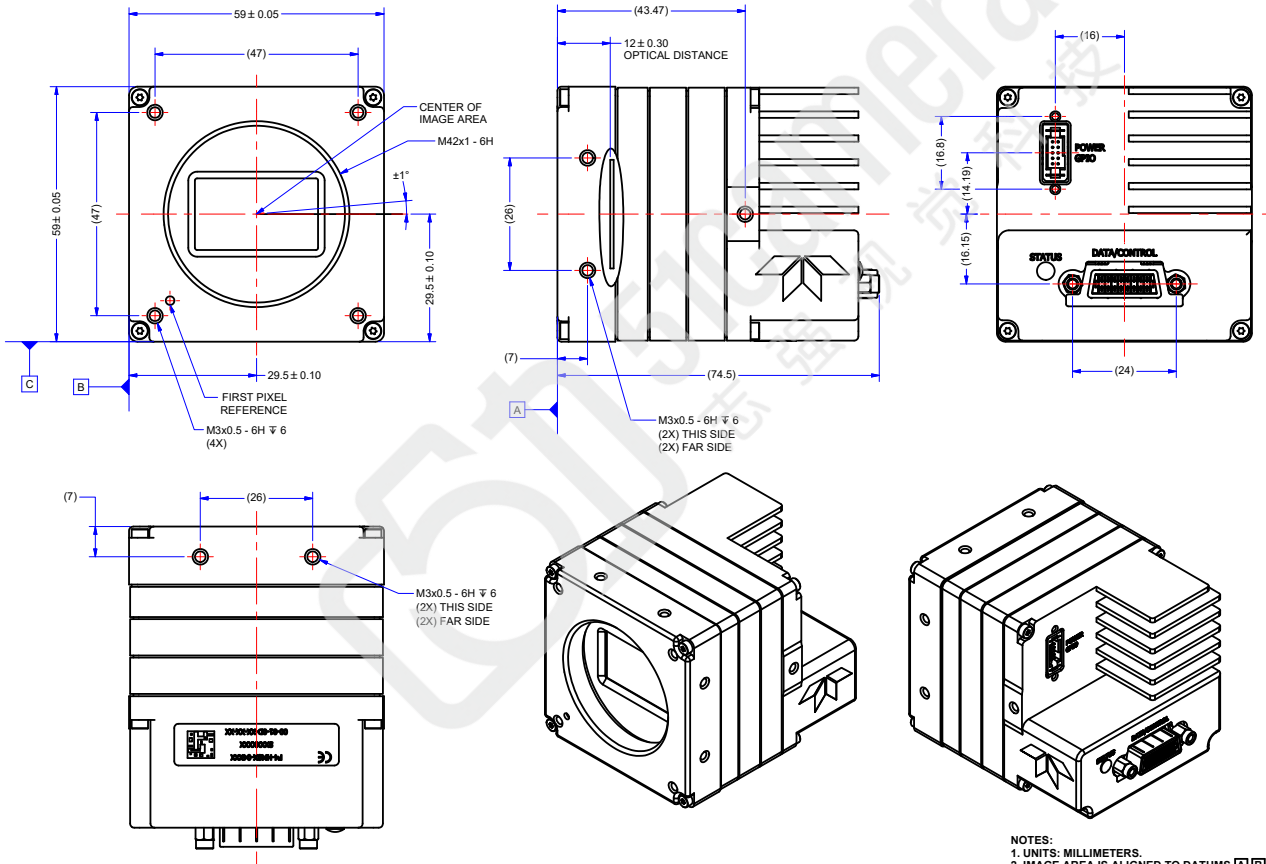


SPECIFICATIONS: Falcon4-CLHS FA-Hxxx-xxxx5 Medium Case



NOTES:
 1. UNITS: MILLIMETERS.
 2. IMAGE AREA IS ALIGNED TO DATUMS **A**, **B** & **C**.