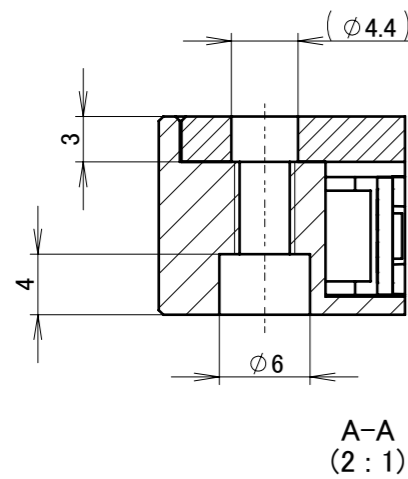
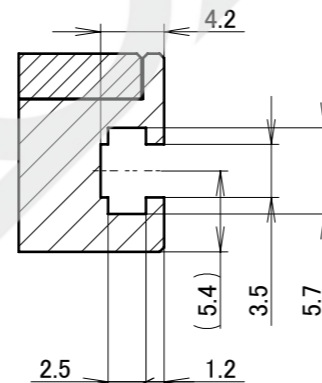


SMR-03V-B
 ①:茶_Brown(+)
 ②:NC
 ③:青_Blue(-)

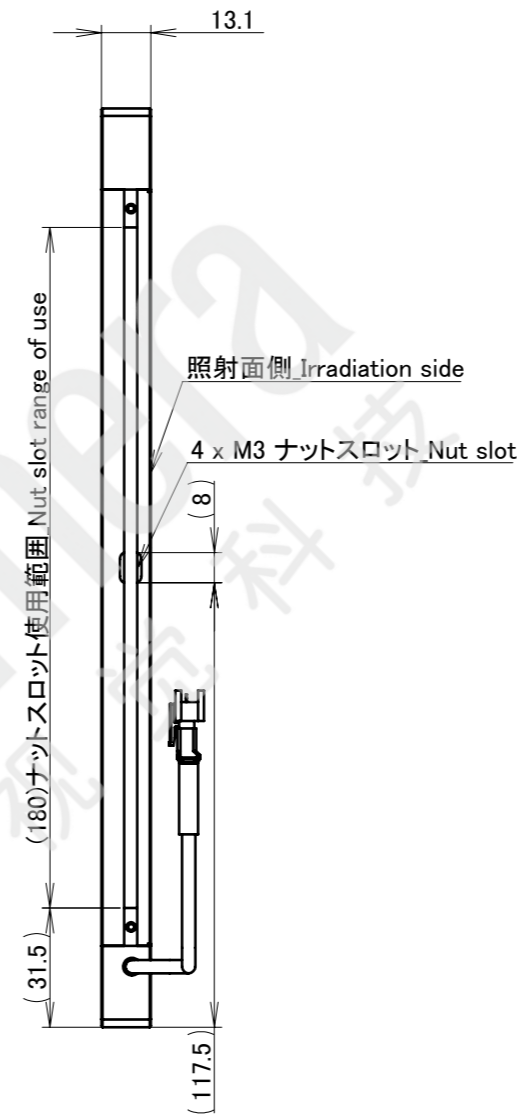
4 x M4
 (取付用_For installation)



A-A
 (2:1)



M3ナットスロット詳細図
 _Nut slot Detail drawing



	LFX3-200SW-PT-A	LFX3-200SW-PT-B
導光板パターン幅 _Light guide plate pattern width	1mm	2mm

入力電圧_Input Voltage : DC 24V
 消費電力_Power Consumption : 46W

UNIT:mm

REVISION	DATE	DESCRIPTION	REVISED
000			

ISSUE DATE	SCALE	APPROVED	NAME
2022/10/03	1:2	T.OSAWA	LFX3-200SW-PT-A(A)/LFX3-200SW-PT-B(A)
	SHEET SIZE	CHECKED	DRAWING NAME
	A3	Y.INOUE	外觀図_outline
	PROJECTION	DESIGNED	DRAWING No.
	第一角	H.KITAGAWA	UA41416-G
		DRAWN	REVISION
		H.KITAGAWA	000
			01

