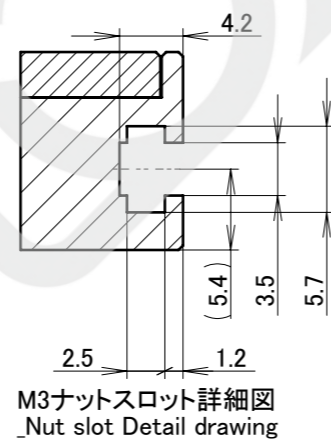
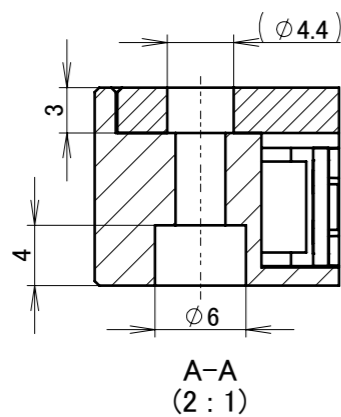
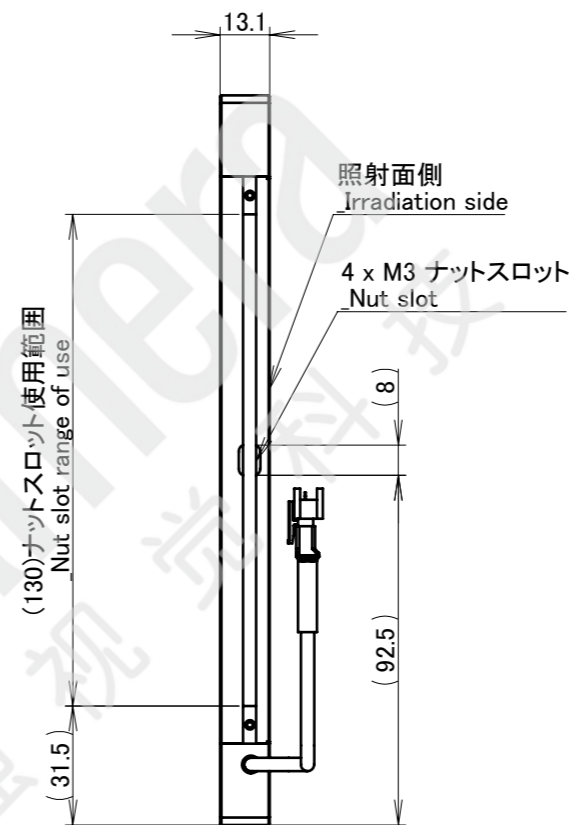


SMR-03V-B
 ①:茶_Brown(+)
 ②:NC
 ③:青_Blue(-)



	LFX3-150SW-PT-A	LFX3-150SW-PT-B
導光板パターン幅 _Light guide plate pattern width	1mm	2mm

入力電圧_Input Voltage : DC 24V
 消費電力_Power Consumption : 35W

ISSUE DATE	SCALE	APPROVED	NAME
2022/10/03	1:2	T.OSAWA	LFX3-150SW-PT-A(A)/LFX3-150SW-PT-B(A)
	SHEET SIZE	CHECKED	DRAWING NAME
	A3	Y.INOUE	外観図_outline
	PROJECTION	DESIGNED	DRAWING No.
		H.KITAGAWA	REVISION SHEET
		DRAWN	000 / 01
		H.KITAGAWA	01

UNIT:mm

REVISION	DATE	DESCRIPTION	REVISED
000			

CCS
CCS Inc.

