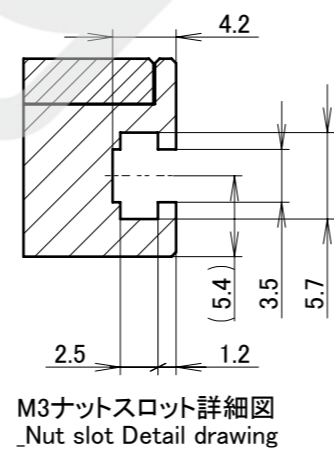
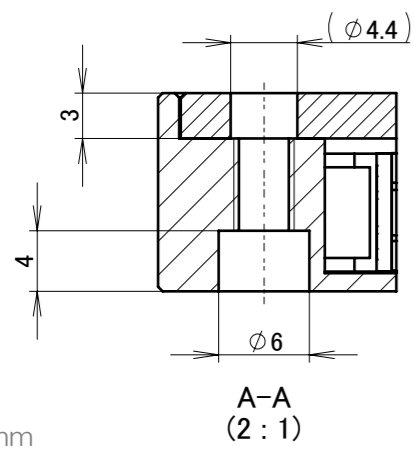
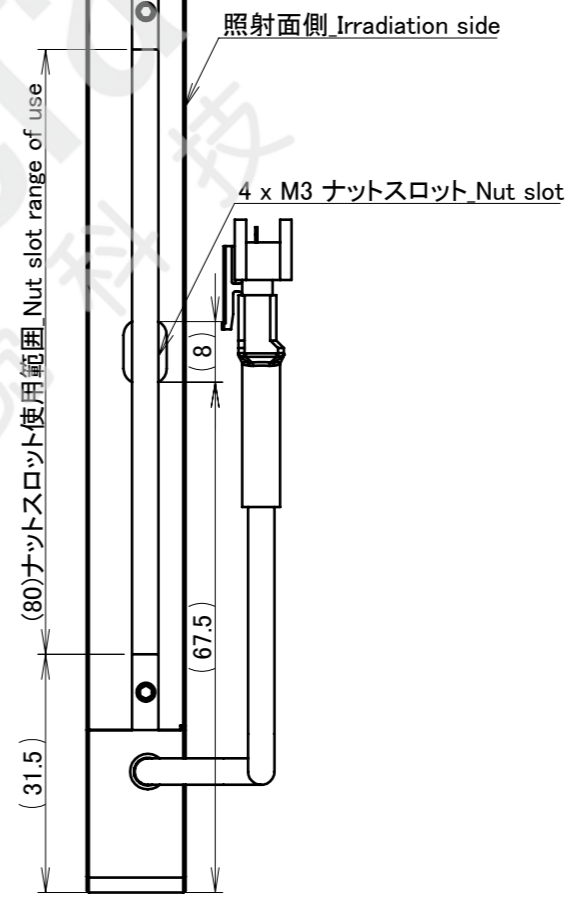


SMR-03V-B  
 ①: 茶\_Brown(+)  
 ②: NC  
 ③: 青\_Blue(-)



	LFX3-100SW-PT-A(A)	LFX3-100SW-PT-B(A)
導光板パターン幅 _Light guide plate pattern width	1mm	2mm

入力電圧\_Input Voltage : DC 24V  
 消費電力\_Power Consumption : 23W

ISSUE DATE	SCALE	APPROVED	NAME
2022/09/30	1:1	T.OSAWA	LFX3-100SW-PT-A(A)/LFX3-100SW-PT-B(A)
	SHEET SIZE	CHECKED	DRAWING NAME
	A3	Y.INOUE	外観図_outline
	PROJECTION	DESIGNED	DRAWING No.
		H.KITAGAWA	UA41414-G
		DRAWN	REVISION
		H.KITAGAWA	000

UNIT:mm

REVISION	DATE	DESCRIPTION	REVISED
000			