



# Matrox **Indio** >>

Industrial I/O and communication card

# Overview

## Turn any PC into a Matrox Imaging vision controller

Matrox® Indio provides the industrial I/O and communication capabilities to turn any PC running Matrox Imaging vision software into a genuine vision controller. It provides discrete inputs and outputs managed in hardware for the real-time synchronization of a vision application with automation devices. It also provides Gigabit Ethernet connectivity for interfacing with programmable logic/automation controllers or GigE Vision® cameras equipped for Power-over-Ethernet (PoE).

## Discrete I/Os

Matrox Indio offers eight discrete inputs and eight discrete outputs that are jumper-selectable for 24 V or TTL-level signaling, supporting both factory-floor and lab use. The I/Os are optically isolated while the outputs are also protected by resettable fuses, all to prevent damage from unintended use. The I/Os can be hooked up in either sinking or sourcing configurations and are accessible from a standard 37-pin D-Sub connector.

## Real-time synchronization

Matrox Indio delivers real-time I/O management through a dedicated hardware-assisted mechanism. The mechanism enables output events to occur at precise moments in time, based on elapsed time, or specific input events. An input event can come directly from a discrete input—including from a rotary encoder—or a count derived from a discrete input. Programmed output events are stored in a hardware list, which is traversed based on a clock or an input event. The carrying out of an output event results in a state transition, pulse, or pulse train on a specific discrete output. Multiple cascable hardware timers are available to count or generate specific events.

## Industrial Ethernet or GigE Vision

Matrox Indio also makes available a Gigabit Ethernet port through a standard RJ45 connector for industrial networking using the EtherNet/IP™, Modbus®, and PROFINET® protocols. PROFINET communication is hardware-assisted to ensure timely response. The Gigabit Ethernet port can alternatively connect to a GigE Vision camera and power it by way of PoE support.

## Matrox Indio at a glance

**Facilitate computer integration** with a PCIe® x1 interface

**Benefit from real-time synchronization** with 16 discrete digital I/Os

**Get straightforward access to I/Os** via standard D-Sub connector

**Support factory-floor and lab use** with 24 V and TTL-compatible signaling

**Protect against unintended use** with optical isolation and resettable fuses

**Track moving production lines** with support for two rotary incremental encoders

**Use status indicator LED for each I/O** to assist with integration troubleshooting

**Leverage Gigabit Ethernet port for industrial communication or video capture** using GigE Vision

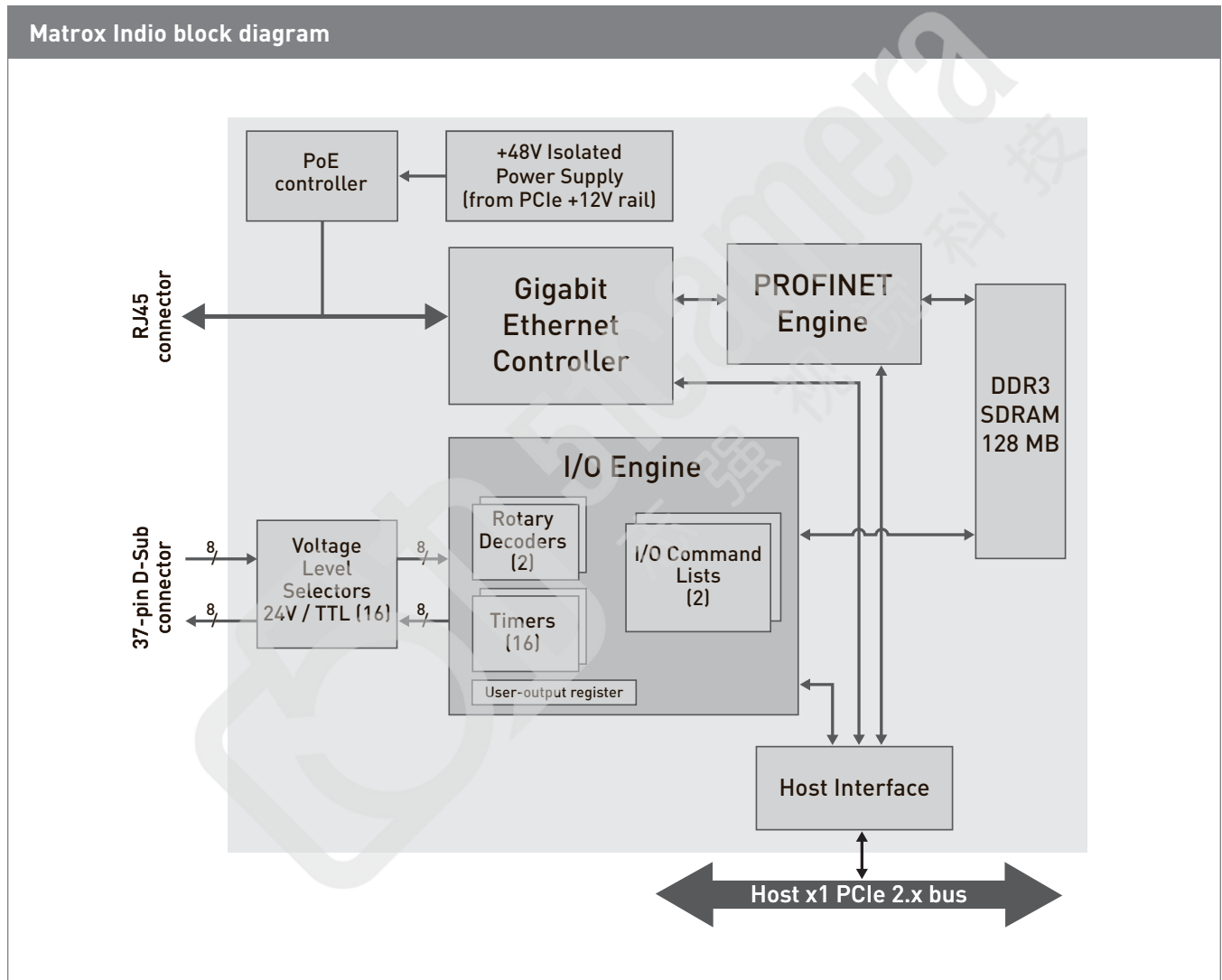
**Use with Matrox Design Assistant X and Matrox Imaging Library (MIL) X** vision software

# Software Environment

## Vision software support

Matrox Design Assistant X and MIL X vision software include support for the Matrox Indio. The card automatically provides access to the software's industrial communication and GigE Vision functionality.

# Connectivity



# Specifications

Matrox Indio	
<b>Board</b>	
Eight (8) independent inputs	
Opto-isolated	
Jumper selectable for 24 V or TTL operation	
Logic low level	
0 V to 5 V (default) or 0 V to 0.8 V (TTL mode)	
Logic high level	
11 V to 24 V (default) or 2 V to 5 V (TTL mode)	
Sink or source acting at up to 100 mA	
Configurable for two rotary incremental encoders	
Generate system interrupt	
With status indicator LED	
Eight (8) independent outputs	
Opto-isolated	
Jumper selectable for 24 V or TTL operation	
Logic low level	
0 V to 3 V (default) or 0 V to 0.1 V (TTL mode)	
Logic high level	
Up to 24 V (default) or up to 5 V (TTL mode)	
Sink or source acting at up to 100 mA	
Protected by resettable fuse	
With status indicator LED	
Gigabit Ethernet port	
Hardware-assist for PROFINET protocol (1 ms minute I/O cycle time)	
Isolated PoE support up to 15.4 W	
Connectors	
37-pin D-Sub for I/Os	
RJ45 for Gigabit Ethernet port	
Power requirements	
+3.3 V @ 1.6 A maximum	
+12 V @ 2 A maximum (when 15.4 W is drawn for PoE)	
<b>Dimensions (L x W x H)</b>	
16.76 x 1.87 x 10.67 cm (6.6 x 0.737 x 4.2 in)	
<b>Certifications</b>	
FCC Part 15 Class B, CE mark	
EN55011 Class B	
EN61326-1 Industrial Environment	
ICES-003/NMB-003 Class B	
RCM Class B	

# Specifications (cont.)

Matrox Indio	
Environmental	
Operating temperature: 0°C to 55°C (32°F to 131°F)	
Storage temperature: -40°C to 85°C (-40°F to 185°F)	
Relative humidity: 10% to 90% (non-condensing)	

## Ordering Information

Part number	Description
Hardware	
INDIO	Matrox Indio PCIe x1 card with 16 real-time discrete digital I/Os and Gigabit Ethernet port with PoE. Partially licensed for Matrox Design Assistant X and MIL X.
Software	
Included with INDIO	Licensed for the Matrox Design Assistant X / MIL X Interface and Industrial and Robot Communications run-time packages. See Matrox Design Assistant X and Matrox Imaging Library (MIL) X datasheets for more information. MIL-Lite software available for download from <a href="http://www.matrox.com/imaging">www.matrox.com/imaging</a> → Support → MIL-LITE X DOWNLOAD.

Endnotes:

1. As of Matrox Design Assistant 5.
2. As of MIL 10 with Update 53.

## The Matrox Imaging advantage



### Assured quality & longevity

Adhering to industry best practices in all hardware manufacturing and software development, product designs pay careful attention to component selection to secure consistent long-term availability. Matrox Imaging is able to meet Copy Exact and Revision Change Control procurement requirements in particular circumstances, backed by a dedicated team of QA specialists.



### Trusted industry standards

Matrox Imaging champions industry standards in its design and production. Leveraging these standards to deliver quality compatible products, Matrox Imaging protects its customers' best interests by ensuring hardware and software components work with as many third-party products as possible.



### Comprehensive customer support

Devoted front-line support and applications teams are on call to offer timely product installation, usage, and integration assistance. Matrox Professional Services delivers deep technical assistance to help customers develop their particular applications in a timely fashion. Services include personalized training and device interfacing as well as application feasibility, prototyping, troubleshooting, and debugging.



### Tailored customer training

Matrox Vision Academy comprises online and on-premises training for Matrox Imaging vision software tools. On-premises intensive training courses are regularly held at Matrox headquarters, and can also be customized for onsite delivery. The Matrox Vision Academy online training platform hosts a comprehensive set of on-demand videos available when and where needed.



### Long-standing global network

Matrox Imaging customers benefit from a global network of distributors who offer complementary products and support, and integrators who build customized vision systems. These relationships are built on years of mutual trust and span the globe, ensuring customer access to only the best assistance in the industry.



## About Matrox Imaging

Founded in 1976, Matrox is a privately held company based in Montreal, Canada. Imaging, Graphics, and Video divisions provide leading component-level solutions, leveraging the others' expertise and industry relations to provide innovative, timely products.

Matrox Imaging is an established and trusted supplier to top OEMs and integrators involved in machine vision, image analysis, and medical imaging industries. The components consist of smart cameras, 3D sensors, vision controllers, I/O cards, and frame grabbers, all designed to provide optimum price-performance within a common software environment.

## Contact Matrox Imaging

[imaging.info@matrox.com](mailto:imaging.info@matrox.com)

1 800 804 6243 (in North America) or +1 514 822 6020

[www.matrox.com/imaging](http://www.matrox.com/imaging)

The use of the terms "industrial" or "factory-floor" do not indicate compliance to any specific industrial standards.

**matrox**<sup>®</sup>

© 2022 Matrox Electronic Systems, Ltd. All rights reserved. Matrox reserves the right to change specifications without notice. Matrox and Matrox product names are either trademarks and/or registered trademarks in Canada or other countries and/or trademarks of Matrox Electronic Systems, Ltd and/or Matrox Graphics Inc. All other company and product names are registered trademarks and/or trademarks of their respective owners. The information furnished herein is believed to be accurate and reliable at time of printing; however, no responsibility license is granted under any patents or patent rights of Matrox Electronic Systems, Ltd. 01/2022