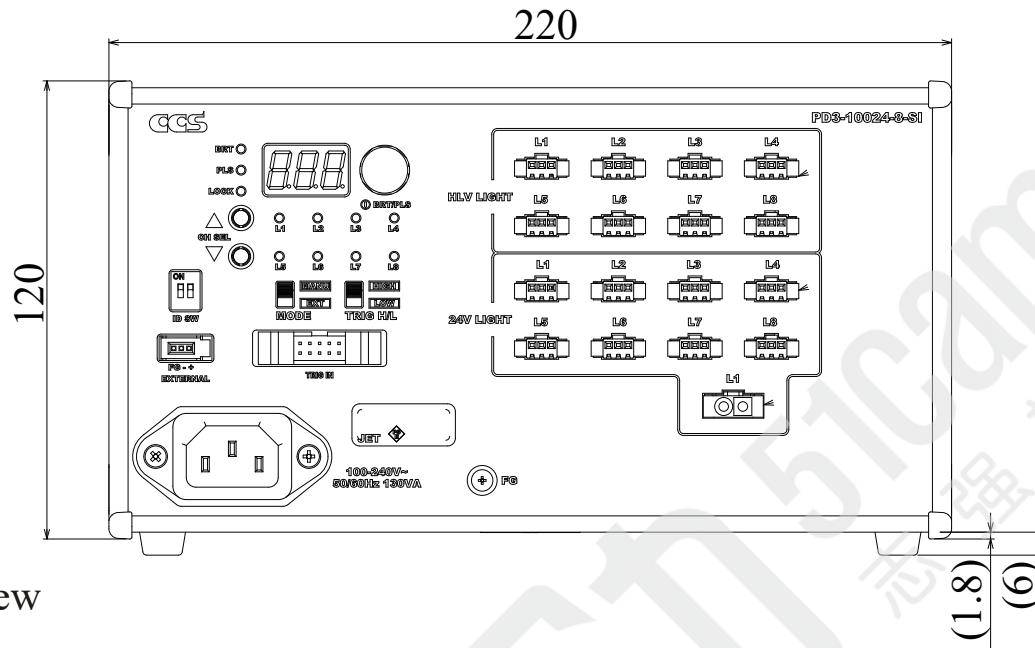


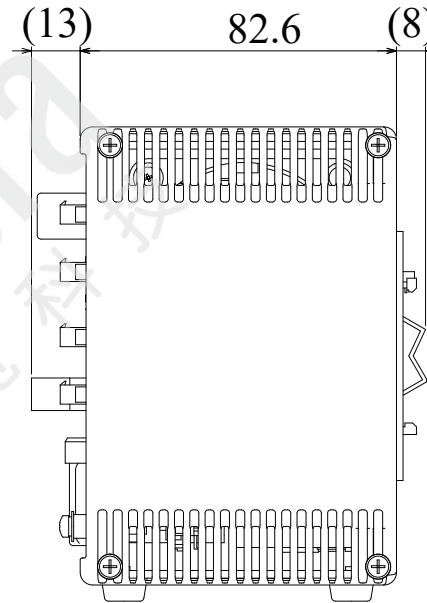
# PD3-10024-8-SI(A)

Model name	PD3-10024-8-SI(A)
Input voltage (rating)	100 to 240 VAC
Power consumption	130 VA
Weight	1,500 g max.

Front View



Side View



Unit: mm

Bottom View

