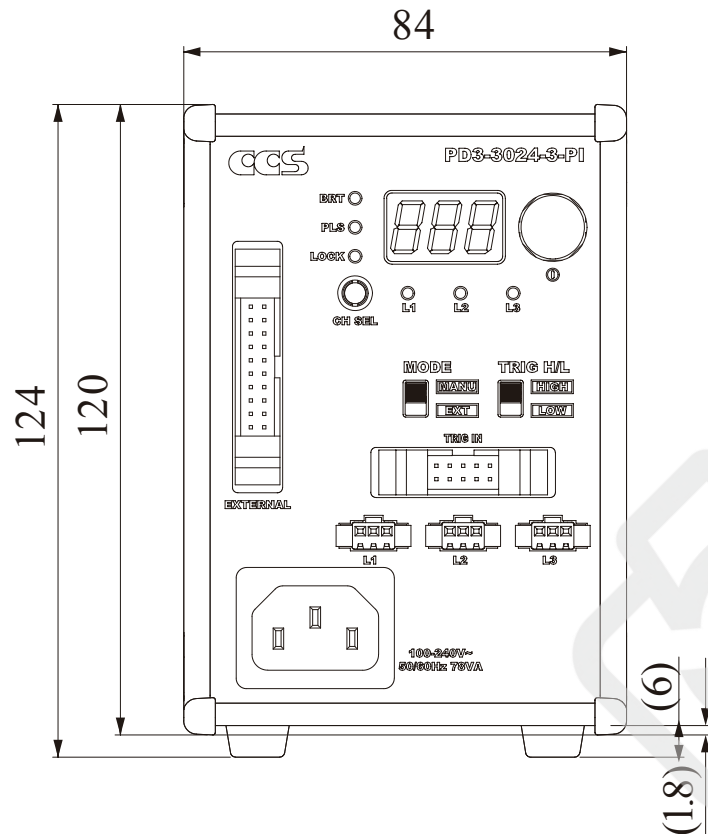


# PD3-3024-3-PI

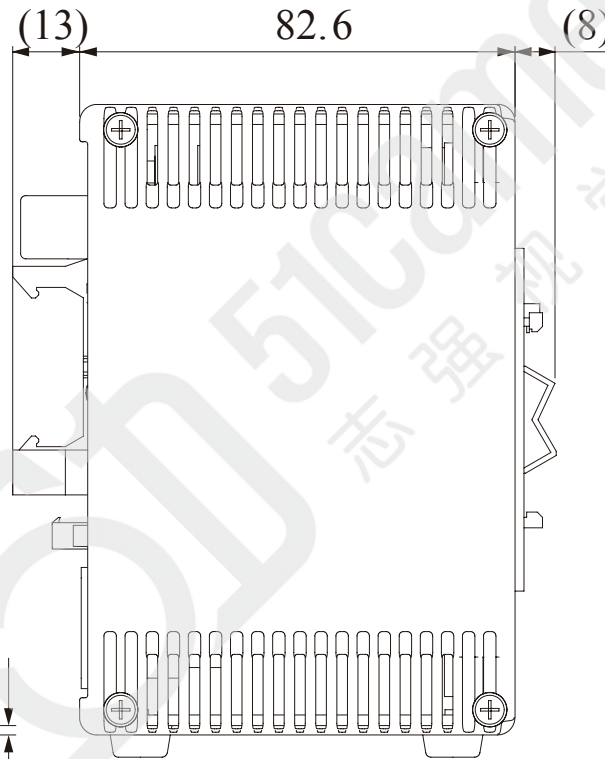
Model name	PD3-3024-3-PI
Input voltage (rating)	100 to 240 VAC
Power consumption	78 VA
Weight	600 g max.

Unit: mm

Front View



Side View



Bottom View

