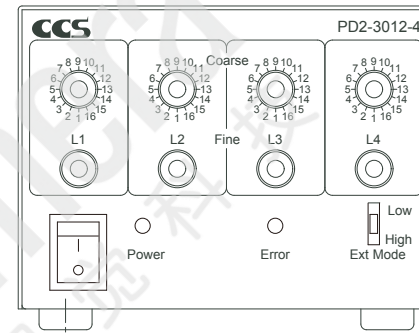
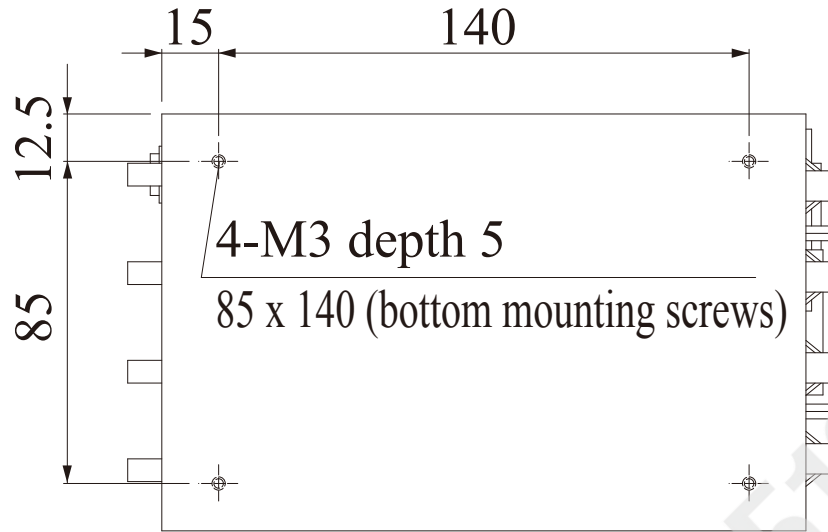


PD2-3012-4(A)

Model name	PD2-3012-4(A)
Input voltage(rating)	100 to 240 VAC
Power consumption	78 VA
Output connector	2 P (1: +, 2: -) x 4
Weight	1200 g

Units: mm



External control connector
D-Sub25 pin

