

Strobe Overdrive Control Units

PTU2 series

Refer to our website for product details.

CCS PTU2

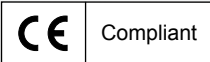
Search



You can also use your smartphone or cell phone.

For quick access.

Overdrive specifications Strobe Control Unit Enables even brighter emission of Light Units



The supplied AC cord is for use with 100 to 120 VAC. If you want to use the Control Unit with 200 to 240 VAC, you must procure another appropriate AC power cord.

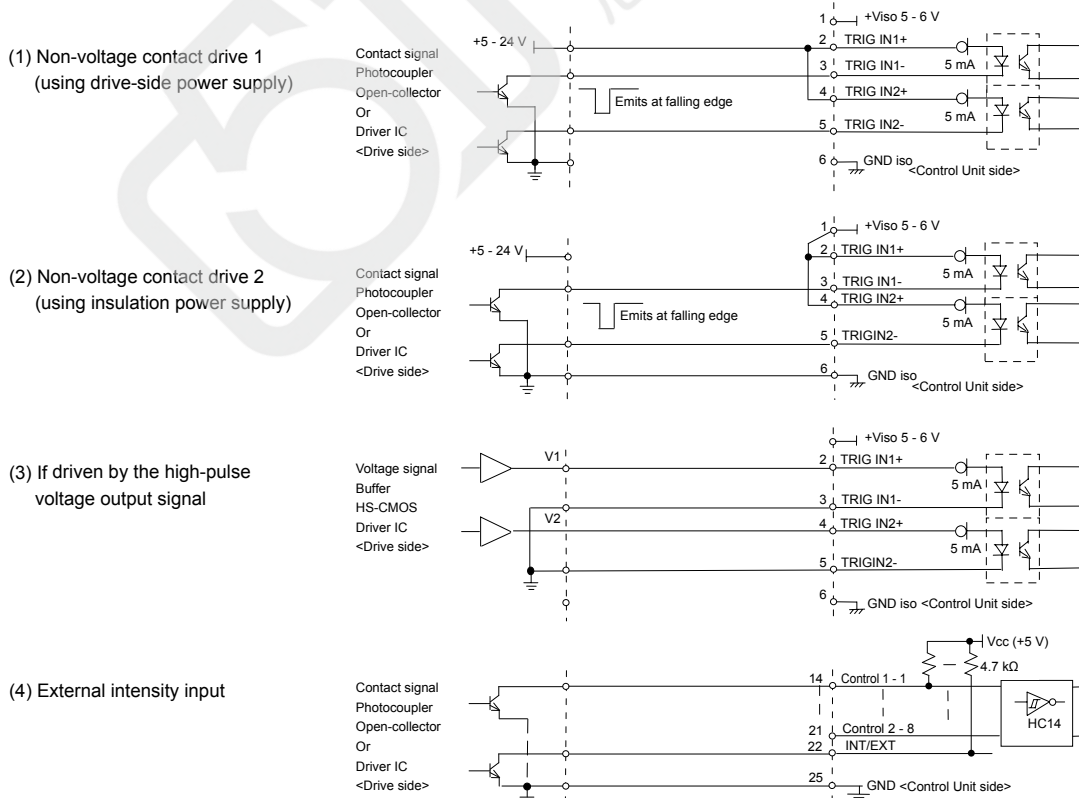
The PTU2 series enables strobe lighting with overdrive. Overdrive refers to brighter than normal emission of light by increasing the voltage and current supplied to the Light Unit.

Features

- The PTU2 series enables the lights to emit several times brighter than using the ON/OFF control function of the conventional PSB and PD3/PD2 series, or by strobe lighting using STU-3000.
- The two independent channels allow for setting each channel to emit for 10 to 990 μ s.

Example connections

Refer to the "Instruction Guide" for details.



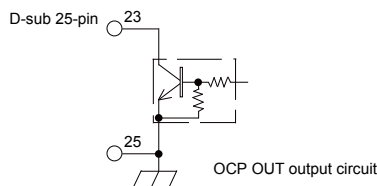
Low: 0 V or more 1.13 V max. High: 3.15 V or more 5 V max.

Overcurrent protection function

PTU2 Control Units forcibly stop the power output when the current consumption in the Light Unit exceeds the value shown below. The error lamp (red) on the front of the unit also flashes. Stopping of output is not released until the Control Unit is restarted.

| | | |
|-------------------|----------------|----------------|
| Model name | PTU2-3012(A) | PTU2-3024(A) |
| Power consumption | 8.5 A peak min | 6.0 A peak min |

Use 24 VDC and 20 mA max. for the OCP OUT load in order to obtain a margin.



Example system configuration

Example:

External control device — External control cable — Control Unit — Extension cables — LED Light

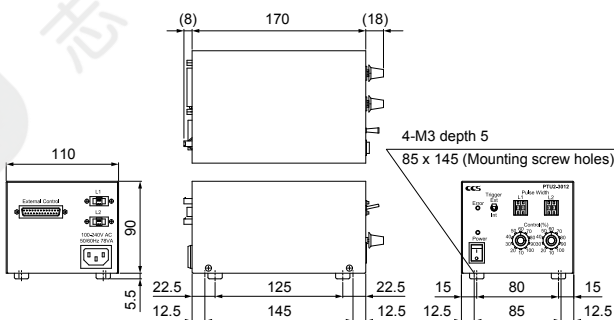


Specifications

| | | |
|-------------------------------|--|---|
| Model name | PTU2-3012(A) | PTU2-3024(A) |
| Input voltage (rated) | 100 to 240 VAC | |
| Frequency | 50/60 Hz | |
| Inrush current (typ.) | 15 A (for 100 VAC) 30 A (for 240 VAC) at cold start | |
| Output | 18 VDC 8.1 A max. (Peak value when connected to max. load) | 48 VDC 4.3 A max. (Peak value when connected to max. load) |
| Applicable Light Unit (rated) | Total for 2 channels: 27 W max. | |
| Lighting time | 10 to 990 μ s Lighting time = Pulse Width [x10 μ s] x Control (10 to 100%) Pulse Width: 0 to 99 x 10 μ s Control: 10 to 100% (10% steps) | |
| Lighting delay | 15 μ s max. | |
| Output connector | SMP-02V-BC | SMP-03V-BC |
| External control connector | D-sub 25-pin (plug), M2.6 screw | |
| Overcurrent protection | Output shutdown: 120% min. of rated load Reset by clearing the cause, and then turning the power off and on again. | |
| Weight | 1.2 kg max. | |
| Accessories | 3-prong AC cord with ground terminal (2 m) x 1, external control connector x 1, Instruction Guide x 1 | |

Dimensions (mm)

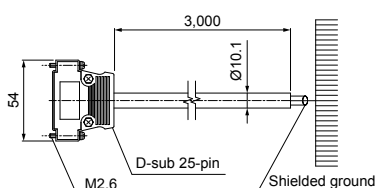
PTU2-3012(A)/3024(A)



Options

External control cable

EXCB2-25-3 (3 m): D-sub 25-pin



| No. | Line color | No. | Line color | No. | Line color | No. | Line color |
|-----|------------|-----|--------------|-----|-------------------|-----|---------------------|
| 1 | Black | 9 | Gray | 17 | Purple/Black | 25 | Brown/White |
| 2 | White | 10 | Pink | 18 | Grey/Black | NC | (Blue/White) |
| 3 | Red | 11 | White/Black | 19 | Pink/Black | NC | (Purple/White) |
| 4 | Green | 12 | Red/Black | 20 | Light green/Black | NC | (Grey/White) |
| 5 | Yellow | 13 | Green/Black | 21 | Black/White | NC | (Pink/White) |
| 6 | Brown | 14 | Yellow/Black | 22 | Red/White | NC | (Light green/White) |
| 7 | Blue | 15 | Brown/Black | 23 | Green/White | | |
| 8 | Purple | 16 | Blue/Black | 24 | Yellow/White | | |

Control Units

- PD3 series
- PD2 series
- STU-3000
- PSB series
- POD series
- PTU2 series
- PF series
- CN-4024-2-EIPT
- PB-2430-1
- CC-ST-1024
- BB series
- PJ series
- CC-PJ-0707
- PSCC
- PSB3-30024
- Options
- Lens Filters
- Diffusion Plates
- Polarizing Plates
- Light Control Films
- Brackets
- Other
- Extension Cables