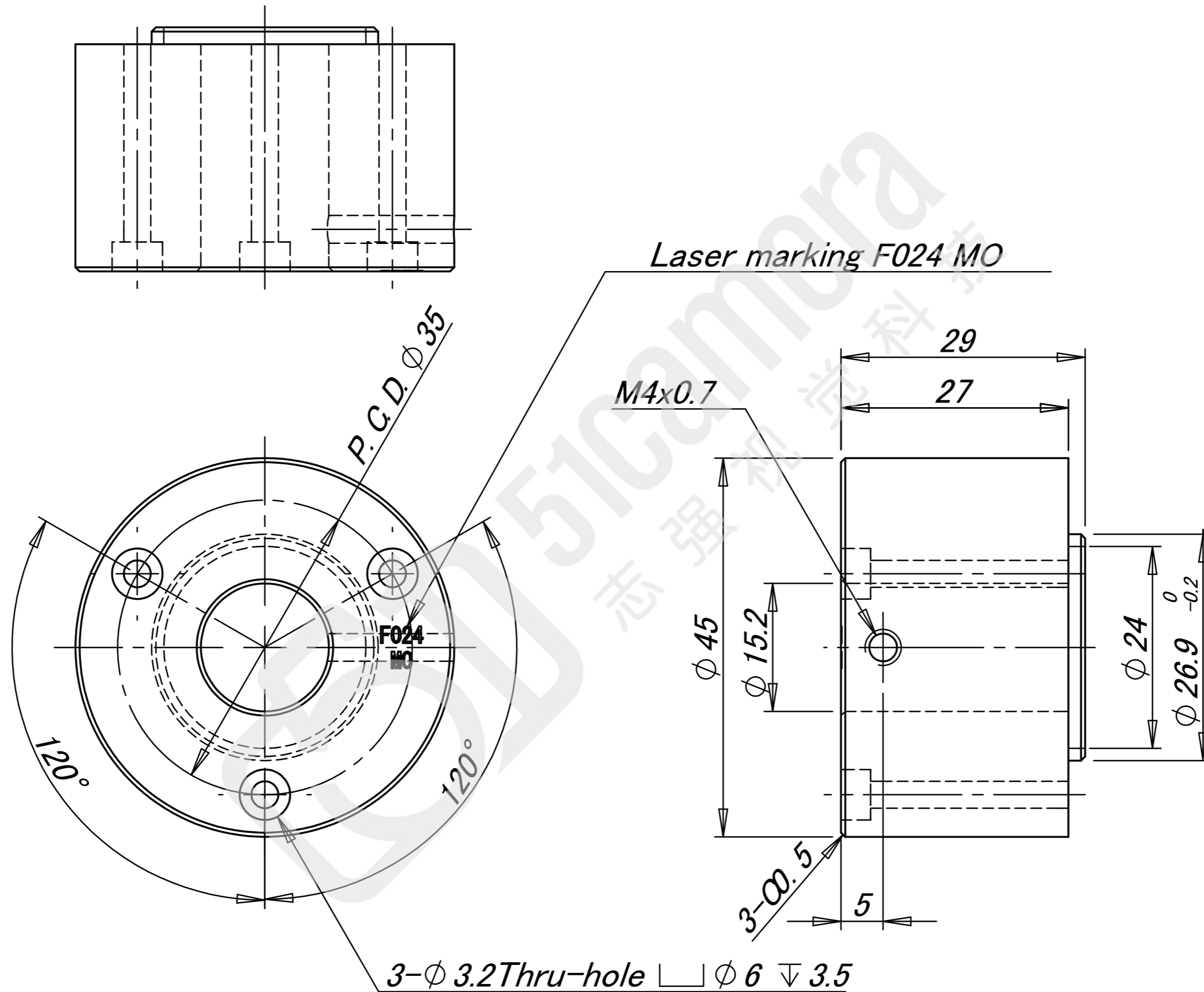


# AD-PFBR-600-03



Unit: mm

CCS Inc.