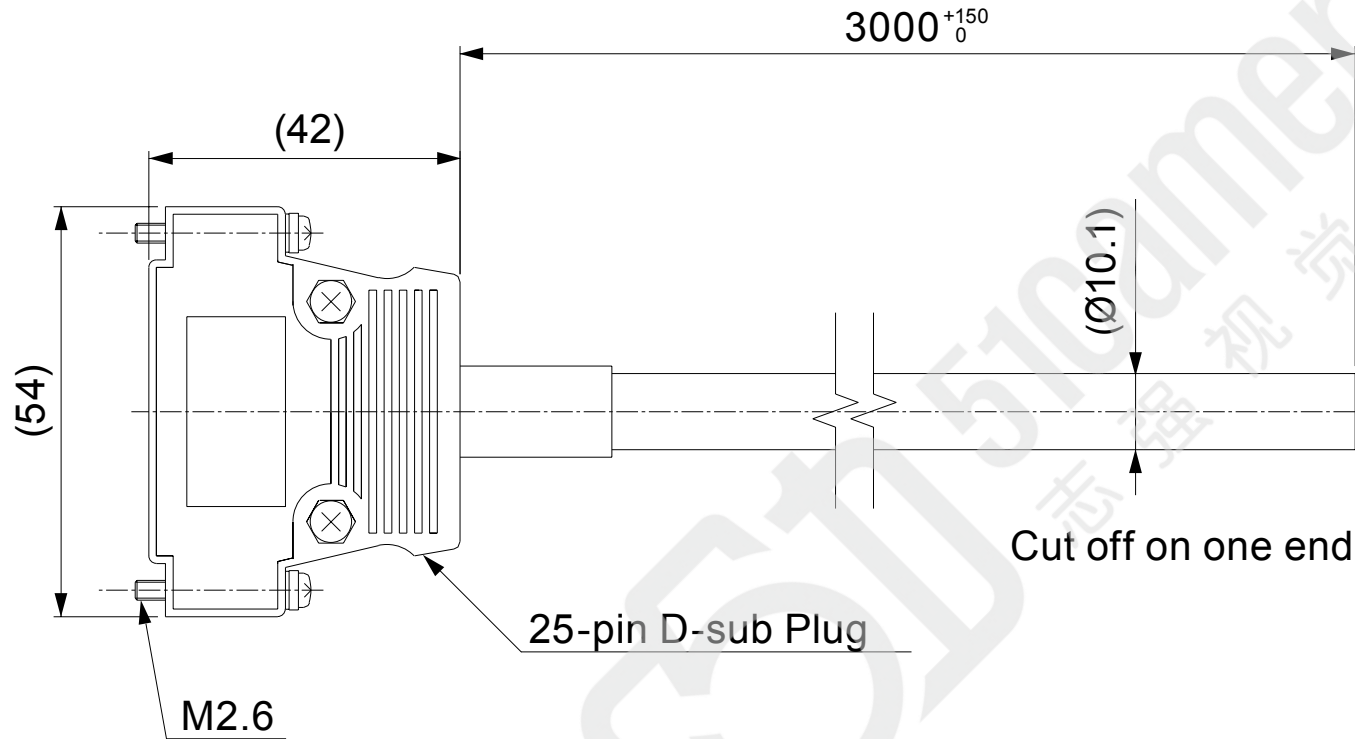


EXCB2-25M-3

Unit : mm



• Pin Numbers and Wire Colors

Pin number	Wire color	Mark	Pin number	Wire color	Mark
1	Black	-	16	Blue	Black
2	White	-	17	Purple	Black
3	Red	-	18	Gray	Black
4	Green	-	19	Pink	Black
5	Yellow	-	20	Light Green	Black
6	Brown	-	21	Black	White
7	Blue	-	22	Red	White
8	Purple	-	23	Green	White
9	Gray	-	24	Yellow	White
10	Pink	-	25	Brown	White
11	White	Black	NC	Blue	White
12	Red	Black	NC	Purple	White
13	Green	Black	NC	Gray	White
14	Yellow	Black	NC	Pink	White
15	Brown	Black	NC	Light Green	White

