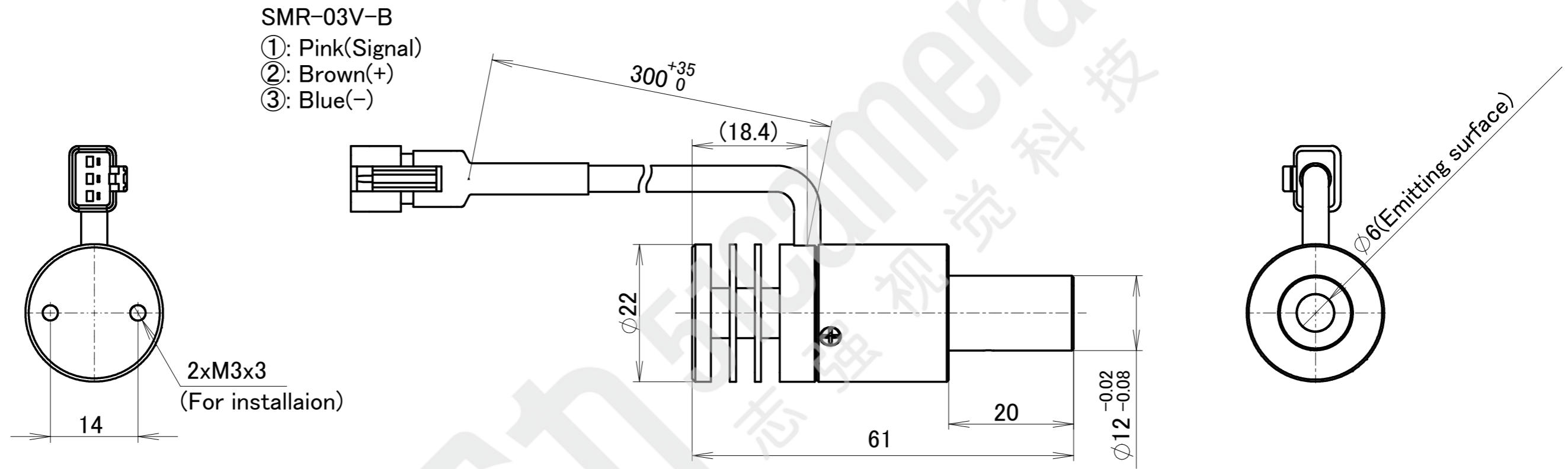


# HLV3-22□□-2C-1220

(□□ = RD, SW, BL, GR)



Model	Input Current	Power Consumption
HLV3-22SW-2C-1220	0.700A max.	2.4W max.
HLV3-22RD-2C-1220	0.700A max.	2.0W max.
HLV3-22BL-2C-1220	0.700A max.	2.6W max.
HLV3-22GR-2C-1220	0.700A max.	2.7W max.