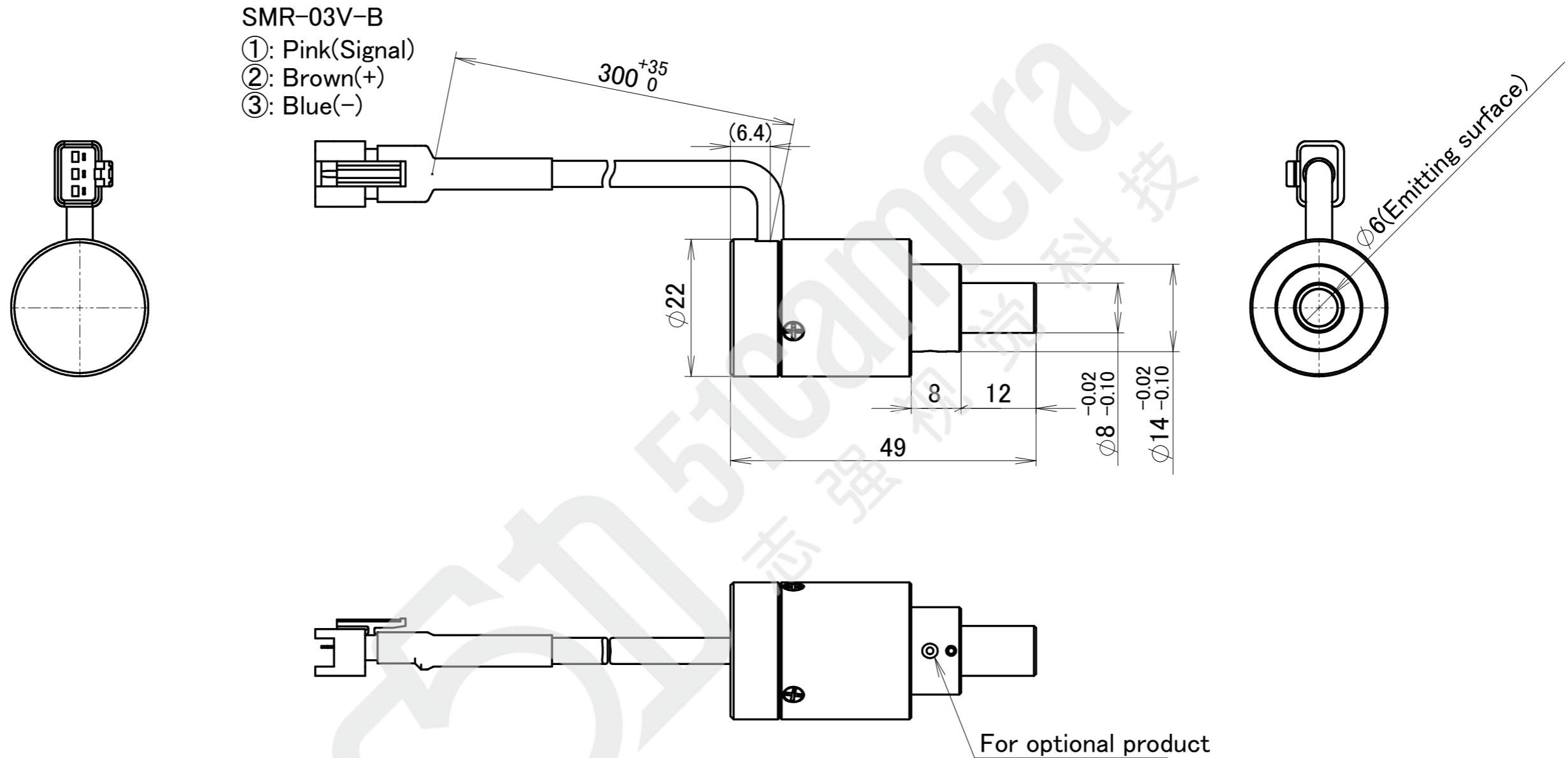


# HLV3-22□□-1C

(□□ = RD, SW, BL, GR)



Model	Input Current	Power Consumption
HLV3-22SW-1C	0.385A max.	1.3W max.
HLV3-22RD-1C	0.385A max.	1.1W max.
HLV3-22BL-1C	0.385A max.	1.4W max.
HLV3-22GR-1C	0.385A max.	1.4W max.