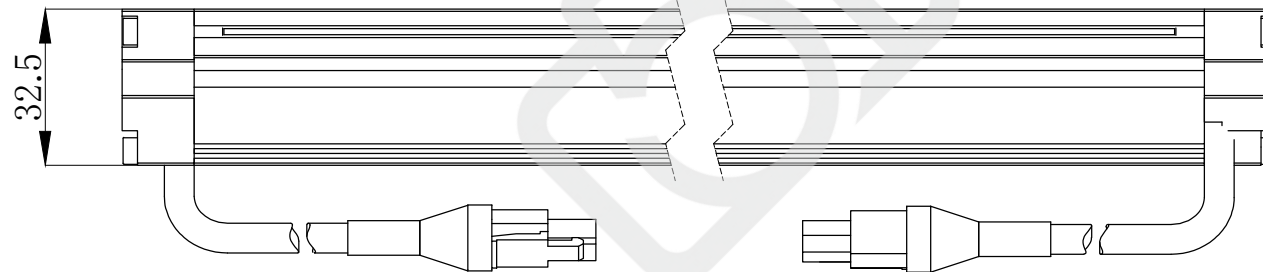
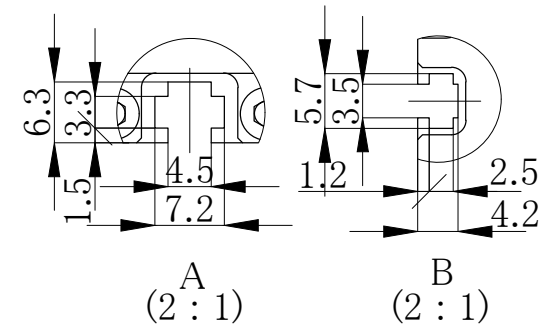
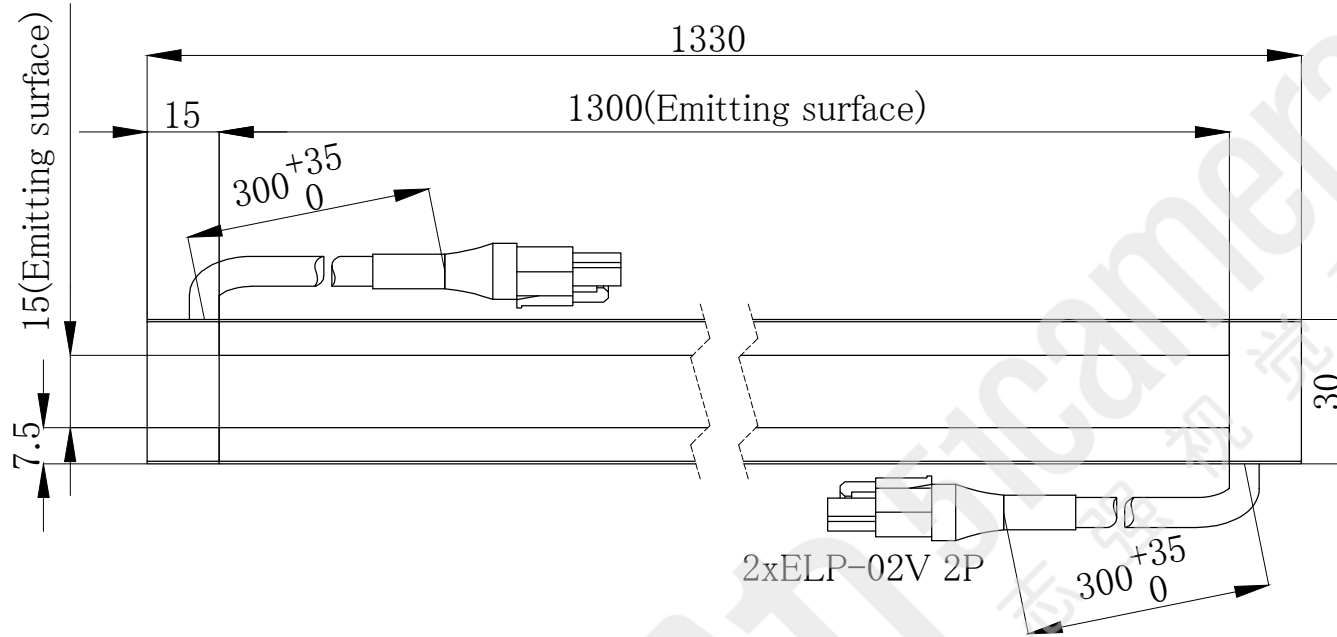


LNSD-1300SW-HU

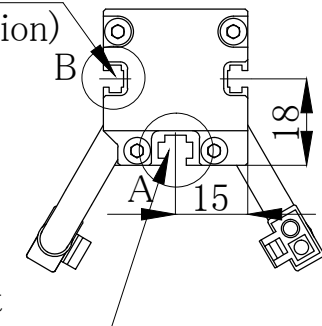
Model Name	LNSD-1300SW-HU
LED Color	White
Input Voltage	DC24V(max.)
Power Consumption	131W(max.)
Weight	1770g
Input Connector	ELP-02V x 1 (~1200mm) ELP-02V x 2 (1300mm~)
Polarity & Signal	1: (+), 2: (-)

Unit: mm



2xM3 Nut slot

(For installation)



M4 Nut slot

(For installation)