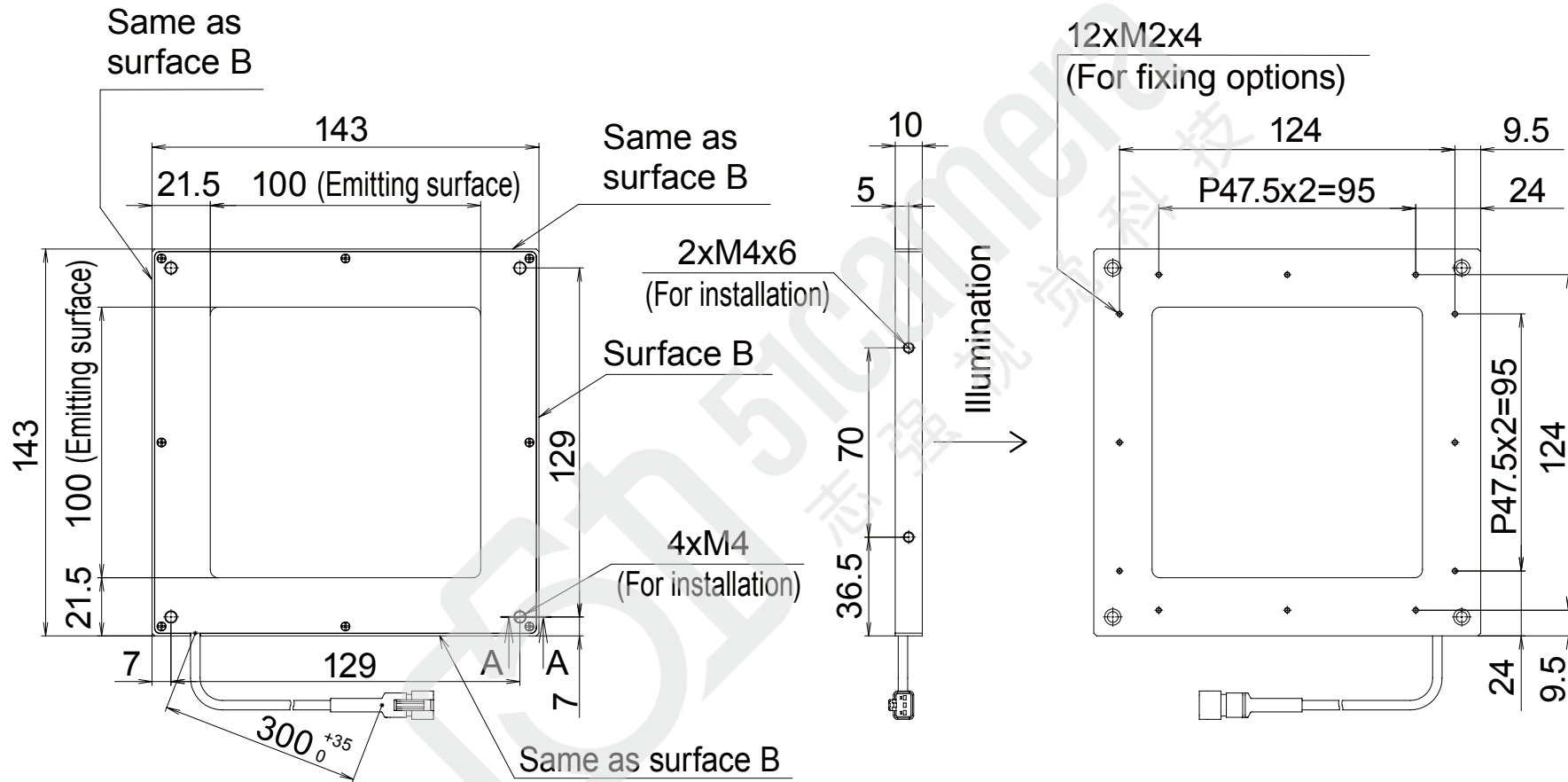


# LFXV-100RD

Model name	LFXV-100RD
LED color	Red
Input voltage	24 VDC
Power consumption(max.)	16 W
Weight(max.)	400 g
Connector	SMR-03V-B
Polarity,signal	1:(+),2:NC,3:(-)

Unit: mm



Detailed Diagram of Surface A-A

