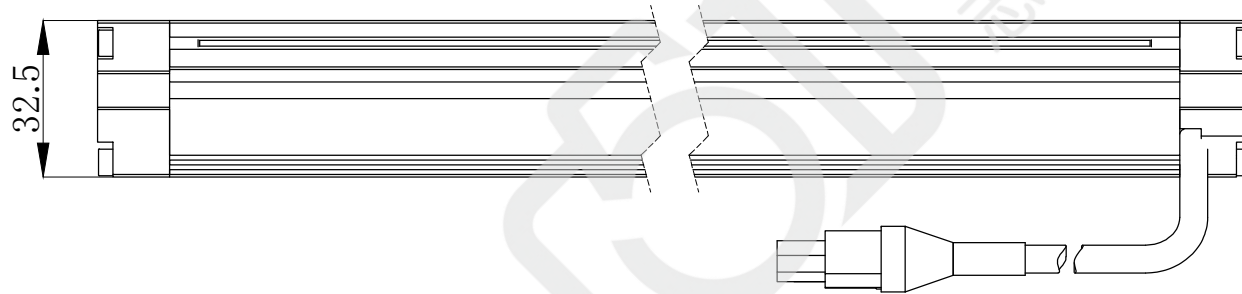
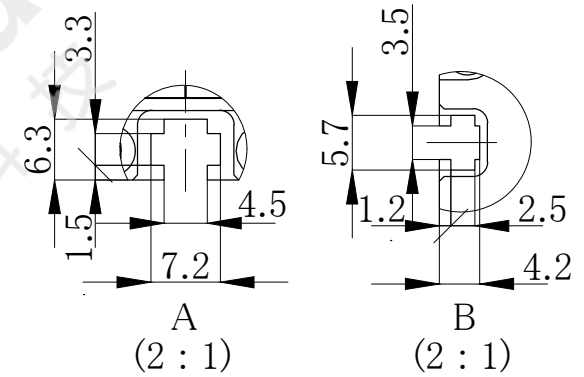
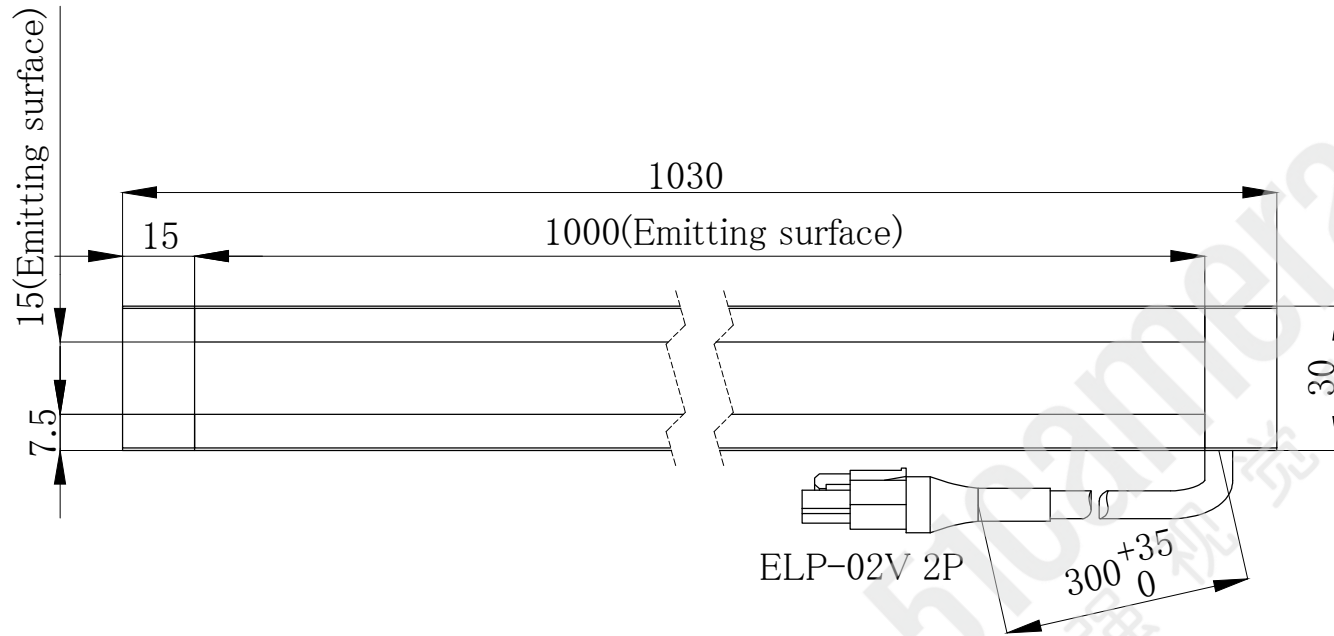


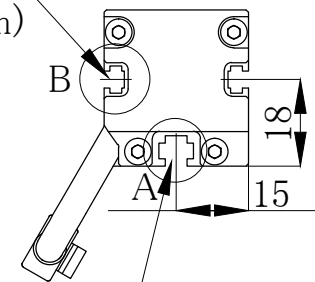
# LNSD-1000BL-HU

Model Name	LNSD-1000BL-HU
LED Color	Blue
Input Voltage	DC24V(max.)
Power Consumption	101W(max.)
Weight	1370g
Input Connector	ELP-02V x 1 (~1200mm) ELP-02V x 2 (1300mm~)
Polarity & Signal	1: (+), 2: (-)

Unit: mm



2xM3 Nut slot  
(For installation)



M4 Nut slot  
(For installation)