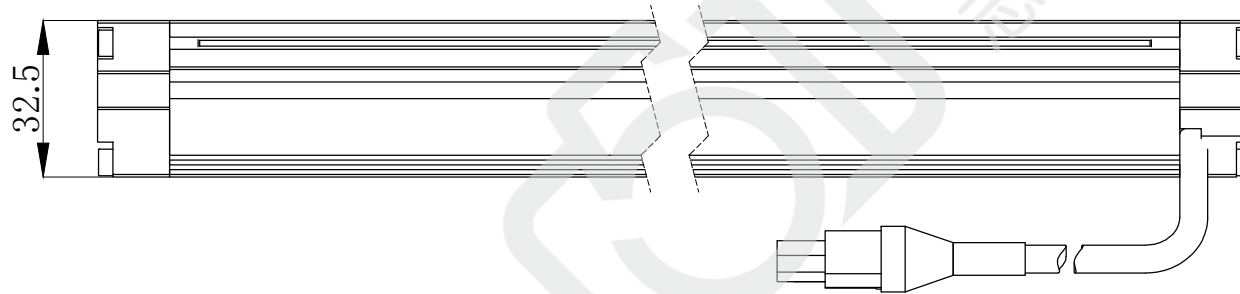
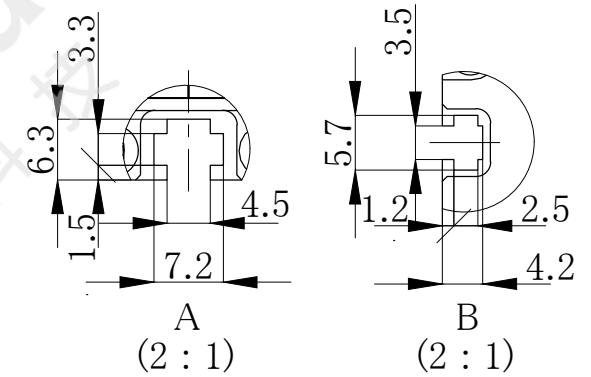
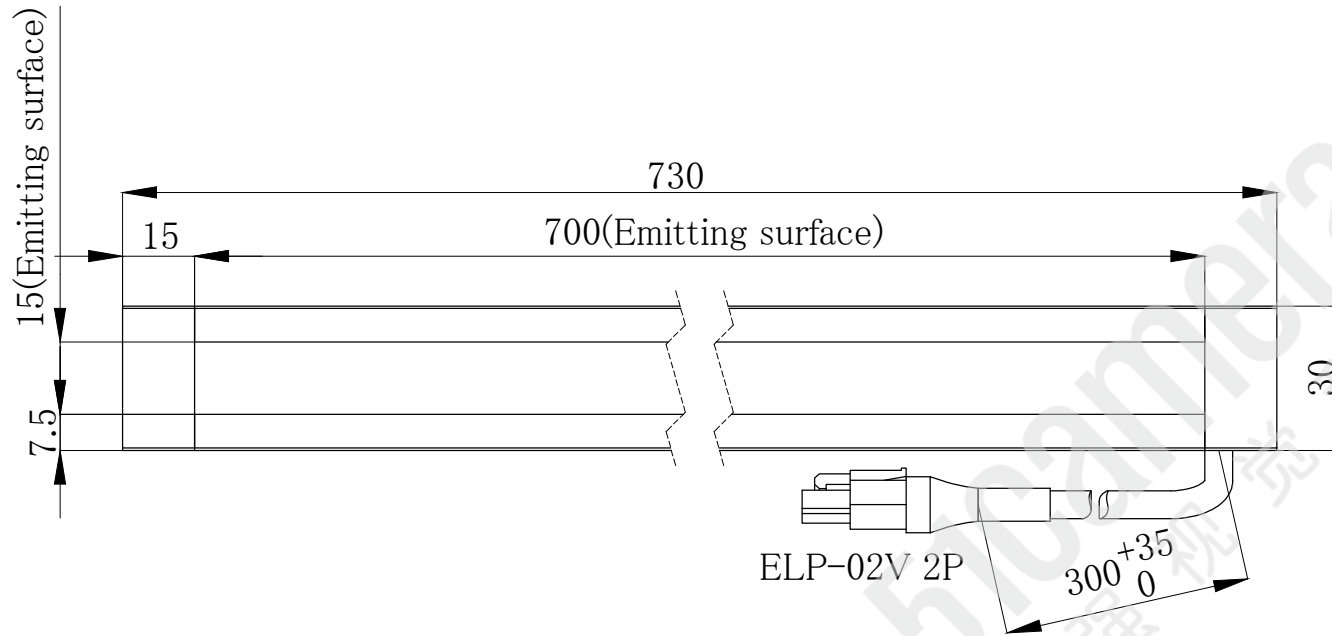


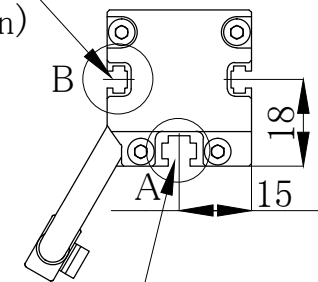
# LNSD-700BL-HU

|                   |  |
|-------------------|--|
| Model Name        | LNSD-700BL-HU                                  |
| LED Color         | Blue   |
| Input Voltage     | DC24V(max.)                                    |
| Power Consumption | 71W(max.)                                      |
| Weight            | 990g   |
| Input Connector   | ELP-02V x 1 (~1200mm)<br>ELP-02V x 2 (1300mm~) |
| Polarity & Signal | 1: (+), 2: (-)                                 |

Unit: mm



2xM3 Nut slot  
(For installation)



M4 Nut slot  
(For installation)