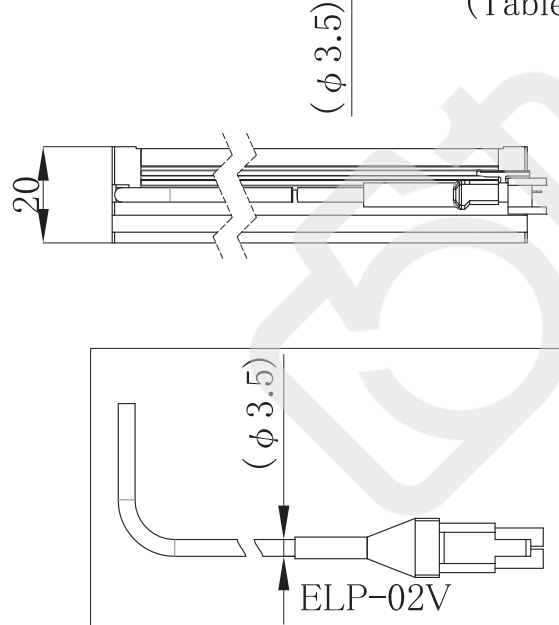
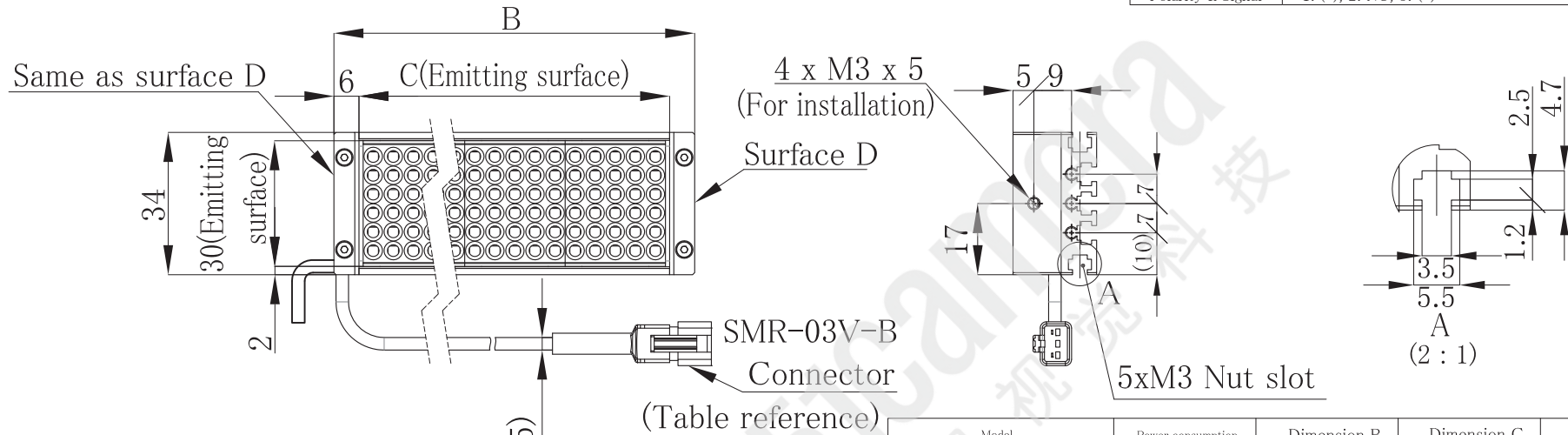


# LDL2-122X30SW2-WD

Model Name	LDL2-122X30SW2-WD
LED Color	White
Input Voltage	DC24V(max.)
Power Consumption	19W(max.)
Weight	150g
Connector	SMR-03V-B
Polarity & Signal	1: (+), 2: NC, 3: (-)

Unit: mm



Model	Power consumption	Dimension B	Dimension C	Connector
LDL2-26X30(SW2/RD2/BL2)-WD	3.8W	38	26	SMR-03V-B ①: + (Brown) ②: NC ③: - (Blue)
LDL2-50X30(SW2/RD2/BL2)-WD	7.6W	62	50	
LDL2-74X30(SW2/RD2/BL2)-WD	12W	86	74	
LDL2-98X30(SW2/RD2/BL2)-WD	16W	110	98	
LDL2-122X30(SW2/RD2/BL2)-WD	19W	134	122	
LDL2-146X30(SW2/RD2/BL2)-WD	23W	158	146	
LDL2-170X30(SW2/RD2/BL2)-WD*	27W	182	170	
LDL2-194X30(SW2/RD2/BL2)-WD*	31W	206	194	
LDL2-218X30(SW2/RD2/BL2)-WD	35W	230	218	
LDL2-242X30(SW2/RD2/BL2)-WD*	38W	254	242	
LDL2-266X30(SW2/RD2/BL2)-WD	42W	278	266	
LDL2-290X30(SW2/RD2/BL2)-WD*	46W	302	290	
LDL2-314X30(SW2/RD2/BL2)-WD*	50W	326	314	
LDL2-338X30(SW2/RD2/BL2)-WD*	53W	350	338	
LDL2-362X30(SW2/RD2/BL2)-WD*	57W	374	362	ELP-02V ①: + (Brown) ②: - (Blue)
LDL2-386X30(SW2/RD2/BL2)-WD*	61W	398	386	
LDL2-410X30(SW2/RD2/BL2)-WD*	65W	422	410	
LDL2-434X30(SW2/RD2/BL2)-WD*	69W	446	434	
LDL2-458X30(SW2/RD2/BL2)-WD*	72W	470	458	
LDL2-482X30(SW2/RD2/BL2)-WD*	76W	494	482	
LDL2-506X30(SW2/RD2/BL2)-WD*	80W	518	506	

\*BTO