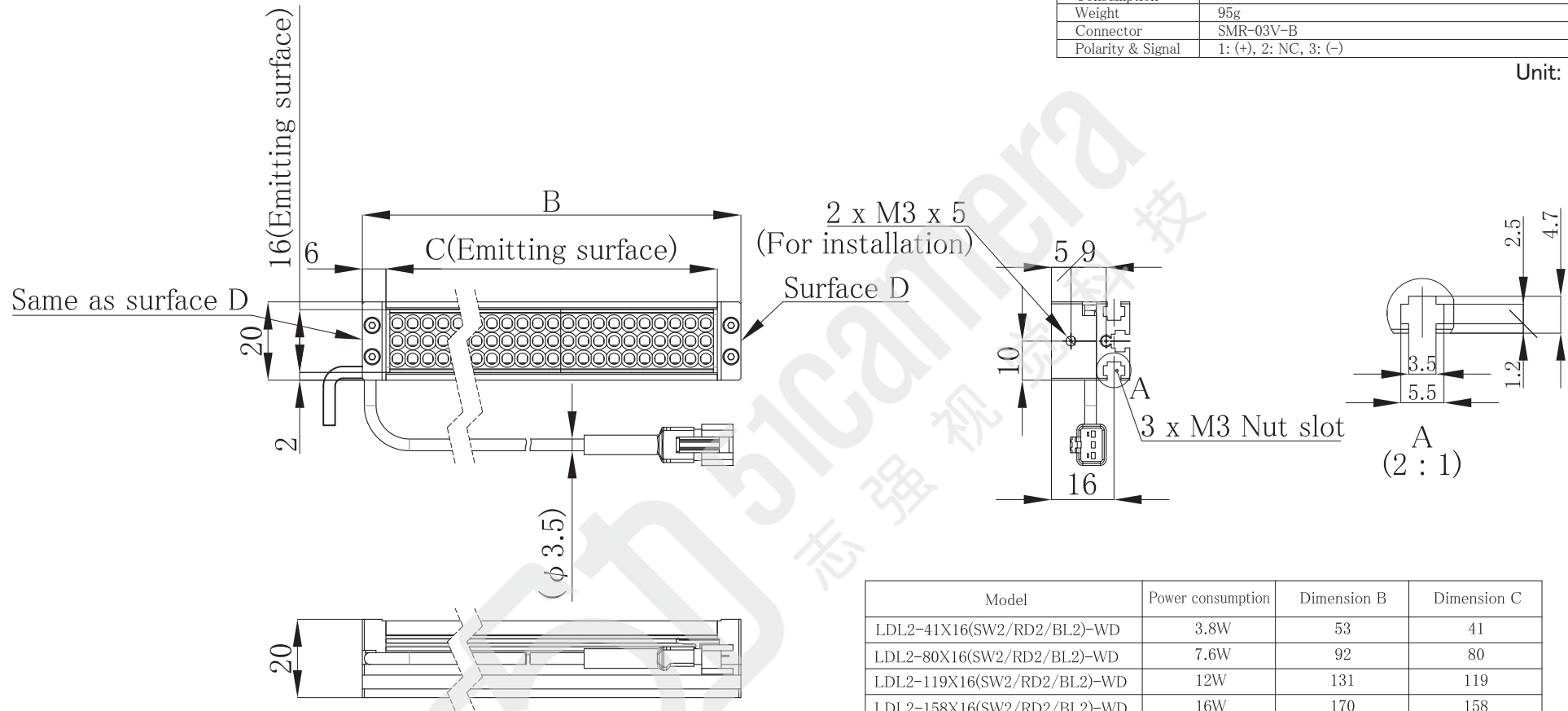


LDL2-119X16RD2-WD

| | |
|-------------------|-----------------------|
| Model Name | LDL2-119X16RD2-WD |
| LED Color | Red |
| Input Voltage | DC24V(max.) |
| Power Consumption | 12W(max.) |
| Weight | 95g |
| Connector | SMR-03V-B |
| Polarity & Signal | 1: (+), 2: NC, 3: (-) |

Unit: mm



| Model | Power consumption | Dimension B | Dimension C |
|-------------------------------|-------------------|-------------|-------------|
| LDL2-41X16(SW2/RD2/BL2)-WD | 3.8W | 53 | 41 |
| LDL2-80X16(SW2/RD2/BL2)-WD | 7.6W | 92 | 80 |
| LDL2-119X16(SW2/RD2/BL2)-WD | 12W | 131 | 119 |
| LDL2-158X16(SW2/RD2/BL2)-WD | 16W | 170 | 158 |
| LDL2-197X16(SW2/RD2/BL2)-WD * | 19W | 209 | 197 |
| LDL2-236X16(SW2/RD2/BL2)-WD * | 23W | 248 | 236 |
| LDL2-275X16(SW2/RD2/BL2)-WD * | 27W | 287 | 275 |
| LDL2-314X16(SW2/RD2/BL2)-WD * | 31W | 326 | 314 |
| LDL2-353X16(SW2/RD2/BL2)-WD * | 35W | 365 | 353 |
| LDL2-392X16(SW2/RD2/BL2)-WD * | 38W | 404 | 392 |
| LDL2-431X16(SW2/RD2/BL2)-WD * | 42W | 443 | 431 |
| LDL2-470X16(SW2/RD2/BL2)-WD * | 46W | 482 | 470 |
| LDL2-509X16(SW2/RD2/BL2)-WD * | 50W | 521 | 509 |

* BTO