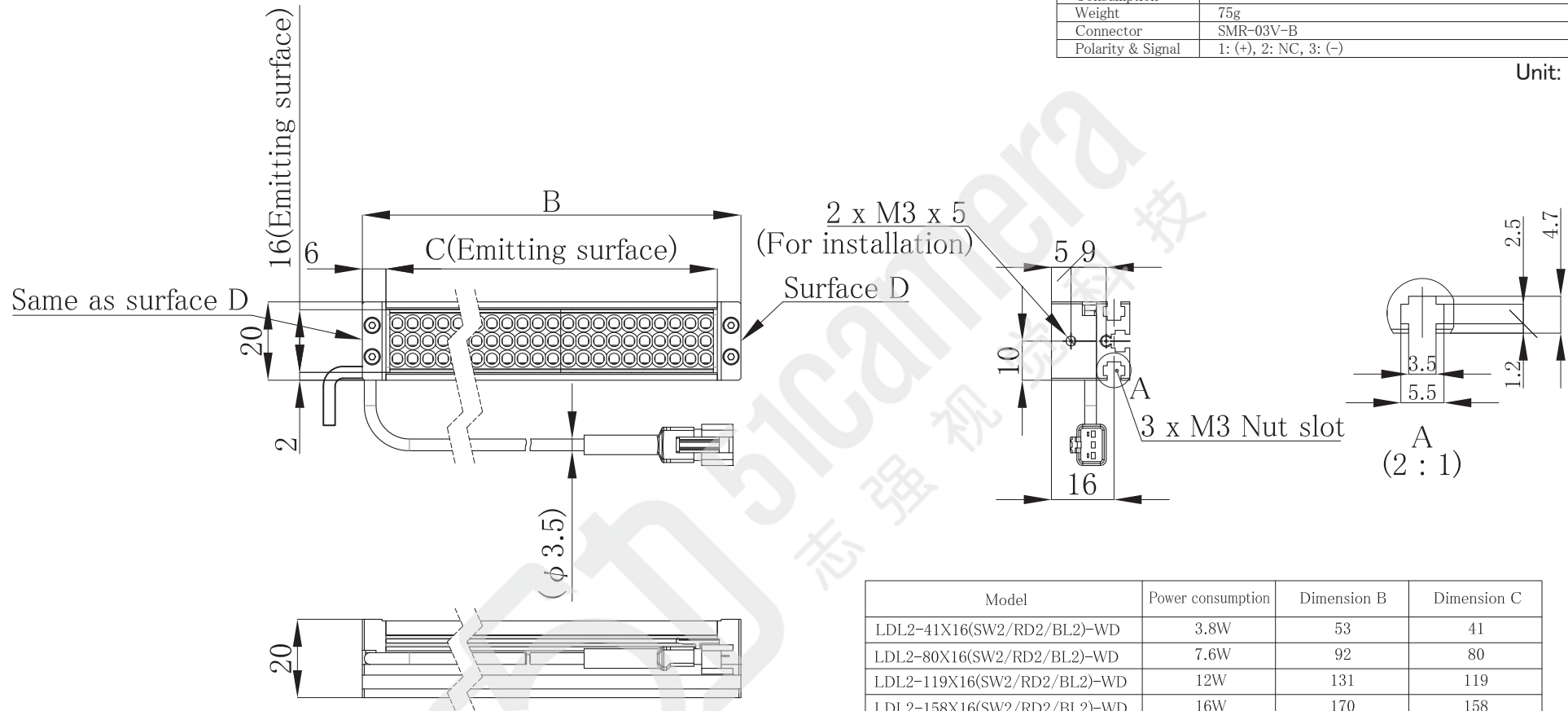


LDL2-80X16RD2-WD

Model Name	LDL2-80X16RD2-WD
LED Color	Red
Input Voltage	DC24V(max.)
Power Consumption	7.6W(max.)
Weight	75g
Connector	SMR-03V-B
Polarity & Signal	1: (+), 2: NC, 3: (-)

Unit: mm



Model	Power consumption	Dimension B	Dimension C
LDL2-41X16(SW2/RD2/BL2)-WD	3.8W	53	41
LDL2-80X16(SW2/RD2/BL2)-WD	7.6W	92	80
LDL2-119X16(SW2/RD2/BL2)-WD	12W	131	119
LDL2-158X16(SW2/RD2/BL2)-WD	16W	170	158
LDL2-197X16(SW2/RD2/BL2)-WD *	19W	209	197
LDL2-236X16(SW2/RD2/BL2)-WD *	23W	248	236
LDL2-275X16(SW2/RD2/BL2)-WD *	27W	287	275
LDL2-314X16(SW2/RD2/BL2)-WD *	31W	326	314
LDL2-353X16(SW2/RD2/BL2)-WD *	35W	365	353
LDL2-392X16(SW2/RD2/BL2)-WD *	38W	404	392
LDL2-431X16(SW2/RD2/BL2)-WD *	42W	443	431
LDL2-470X16(SW2/RD2/BL2)-WD *	46W	482	470
LDL2-509X16(SW2/RD2/BL2)-WD *	50W	521	509

* BTO