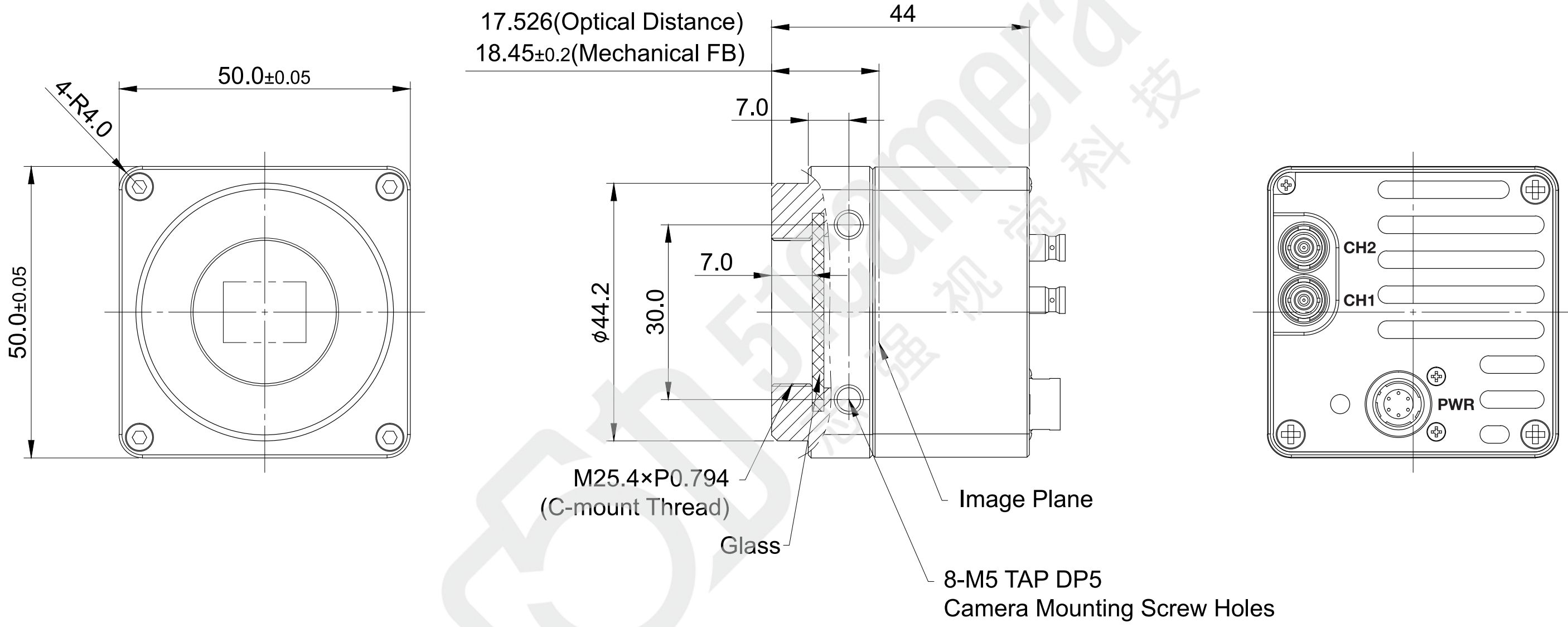
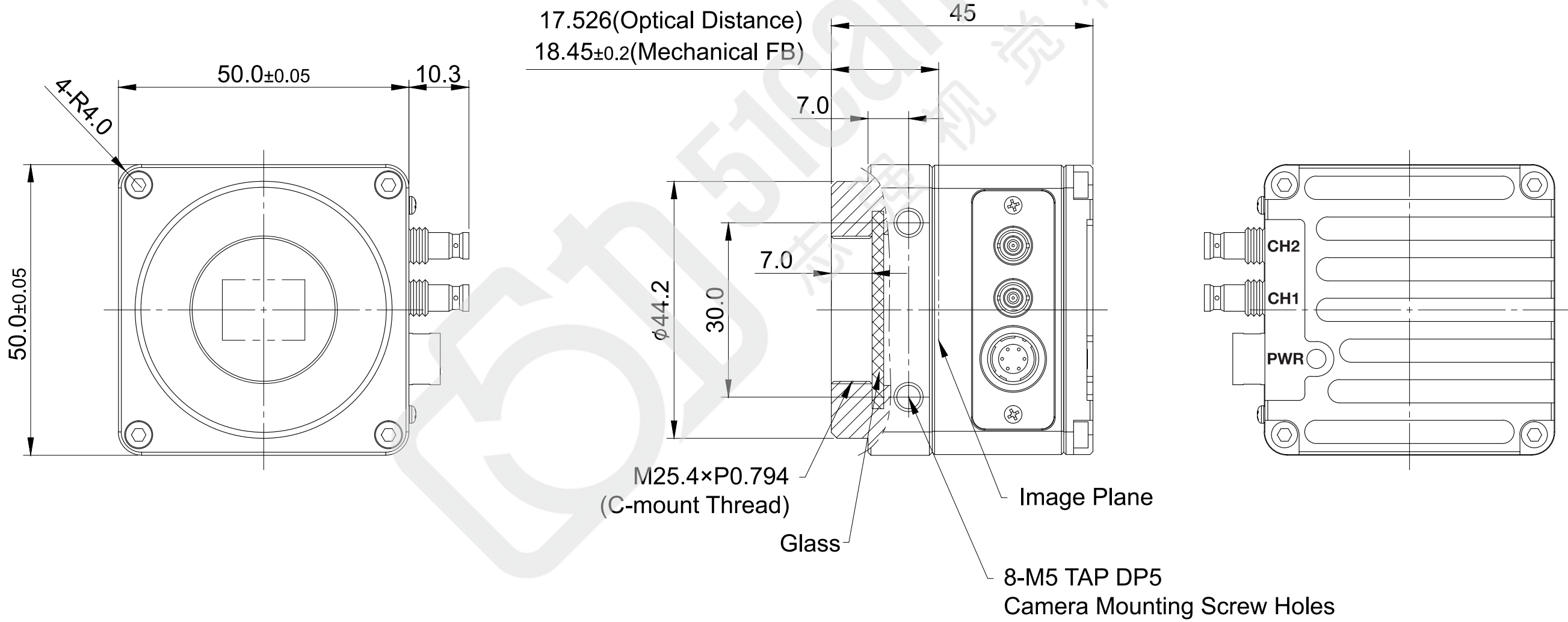
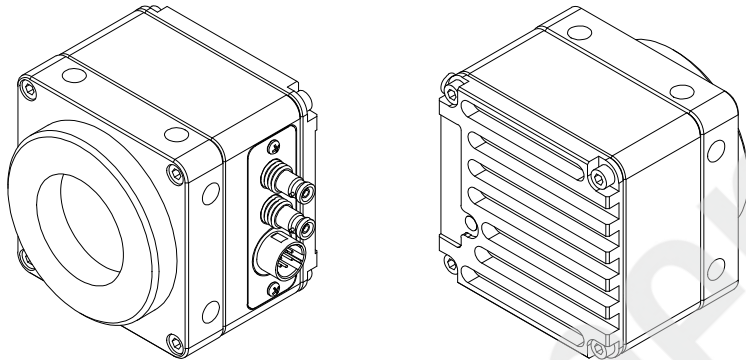


Mechanical Dimensions: Straight Type



MODEL NAME	
Lens Mount: C-mount	
1	VC-12MX-M/C65H

Mechanical Dimensions: Right-angle Type



MODEL NAME	
Lens Mount: C-mount	
1	VC-12MX-M/C65H