

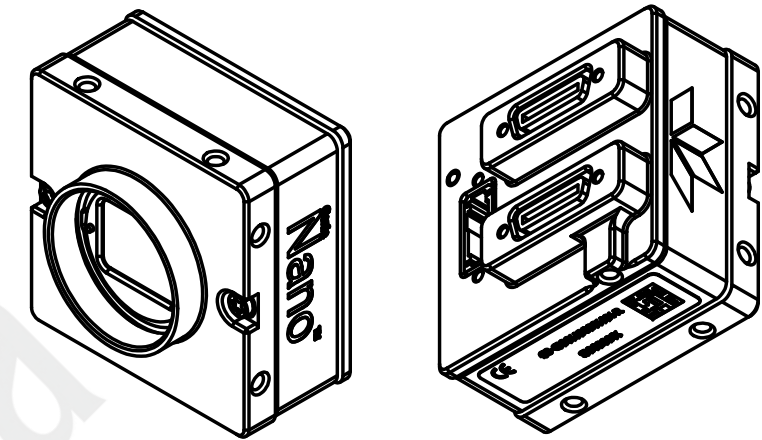
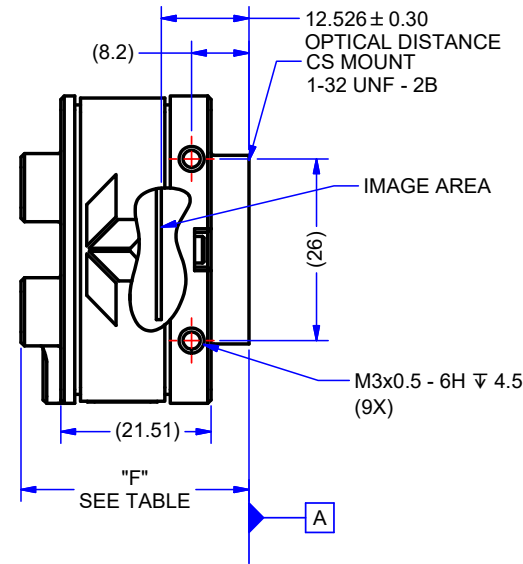
2



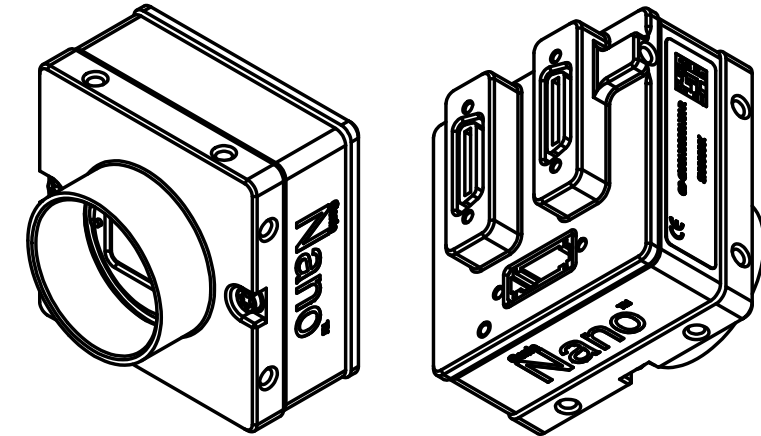
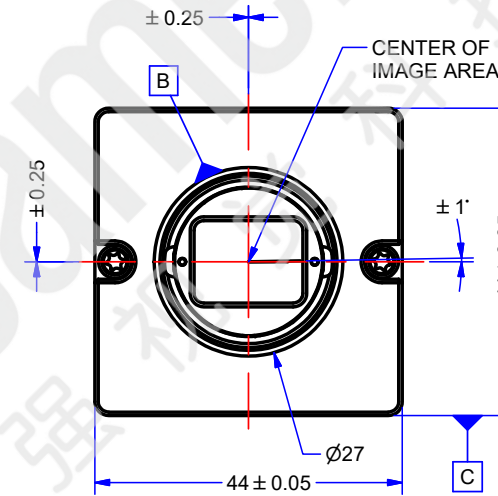
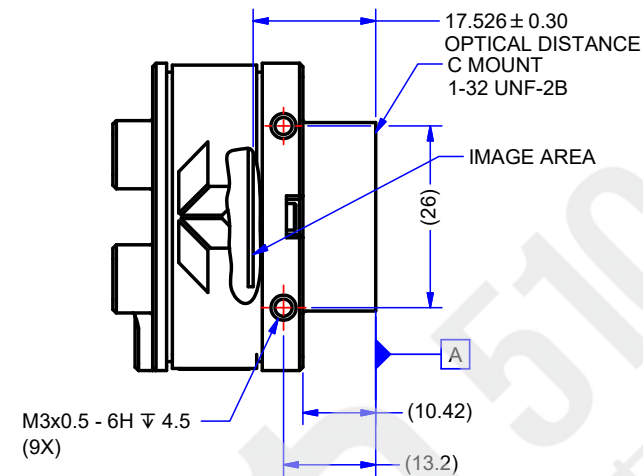
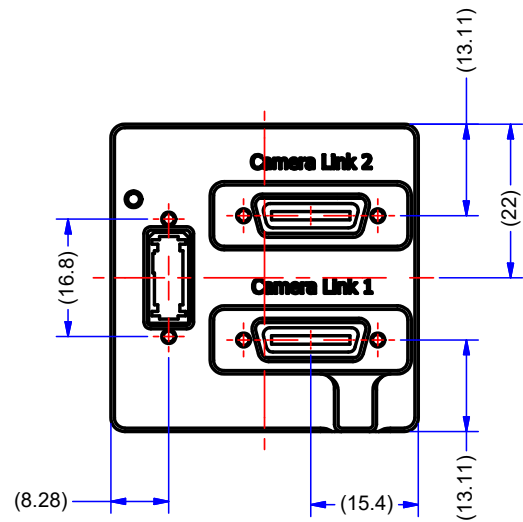
1

B

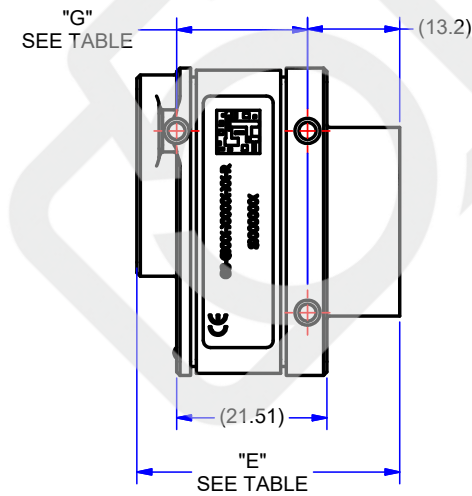
B



CS MOUNT



C MOUNT



A

A

- NOTES:
1. UNITS: MILLIMETERS.
2. IMAGE AREA IS ALIGNED TO DATUMS A, B & C.

<p>THIRD ANGLE PROJECTION</p>	<p>TELEDYNE DALSA Everywhereyoulook™</p>	605 McMurray Road Waterloo, ON CANADA, N2V 2E9 Phone: (519) 886-6000 Fax: (519) 886-8023 www.teledynedalsa.com		DWG NO.	REV	SCALE	DATE
		03-129-20199	02	NTS VALID WHEN PRINTED ON A SIZE PAPER	OCT 19/2018		
TITLE				APPLICATION/PROJECT		SIZE	
CUSTOMER DRAWING : MEDIUM CASING				GENIE NANO-CL		SHEET 1 OF 2 A	

2



1

2



1

MODELS	E (C MOUNT)	F (CS MOUNT)	G
M2450, C2450, M4040, M2420, M4060, M4020, C4040, C4060, C2420, M2420, M2451, C2451, M4041, M4061, C4041, C4061	MAX 40.3 / MIN 38.8	N/A	MAX 19.7 / MIN 17.8
C2450IF, C4040IF, C4060IF	MAX 40.6 / MIN 39.1	N/A	MAX 20.0 / MIN 18.1
C2451IF, C4041IF, C4061IF	N/A	MAX 35.6 / MIN 34.1	MAX 20.0 / MIN 18.1
M4160	MAX 40.3 / MIN 38.8	N/A	MAX 19.7 / MIN 17.8

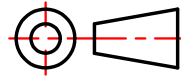

B

B



A

A

 THIRD ANGLE PROJECTION	 TELEDYNE DALSA Everywhereyoulook™	605 McMurray Road Waterloo, ON CANADA, N2V 2E9 Phone: (519) 886-6000 Fax: (519) 886-8023 www.teledynedalsa.com		DWG NO.	REV	SCALE	DATE
		TITLE CUSTOMER DRAWING : MEDIUM CASING		03-129-20199	02	NTS <small>VALID WHEN PRINTED ON A SIZE PAPER</small>	OCT 19/2018
		APPLICATION/PROJECT		SHEET 2 OF 2		SIZE	
		GENIE NANO-CL				A	

2



1