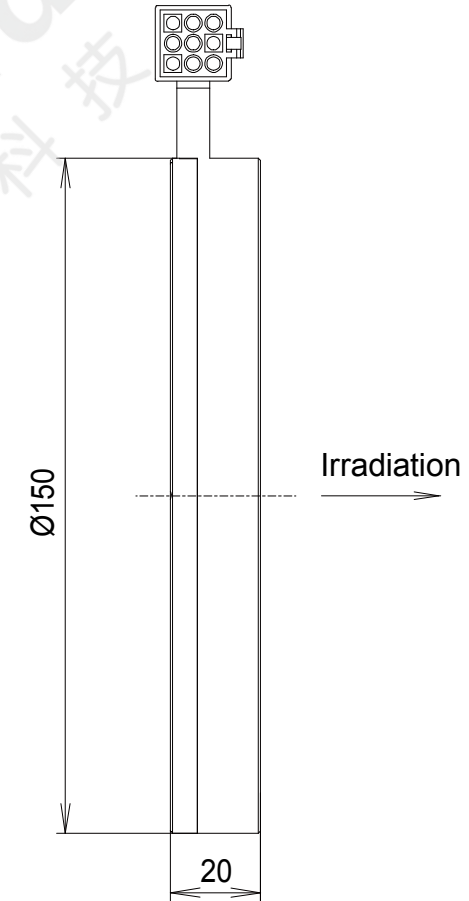
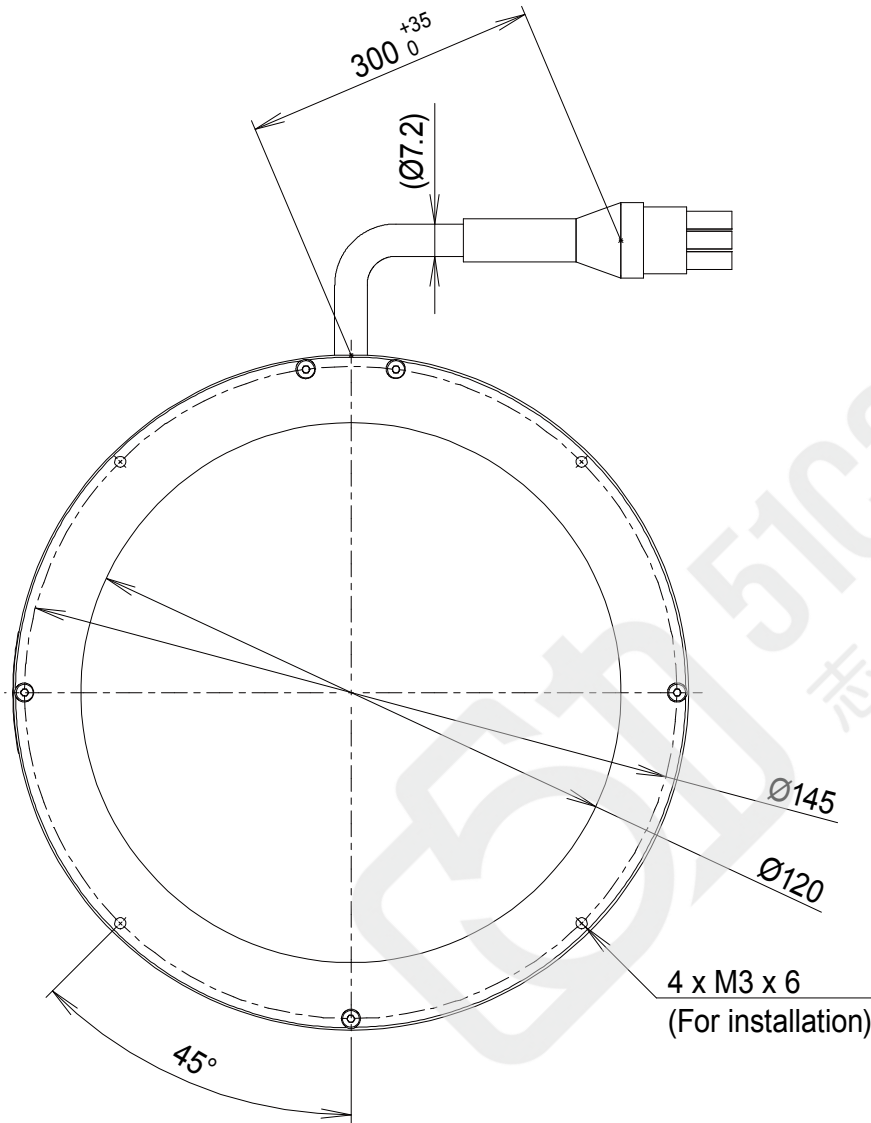


LDR-PF-150RD-LA

Model name	LDR-PF-150RD-LA
LED color	Red
Peak current	42.0 A
Weight(max.)	350 g
Connector	ELP-09V
Polarity	1:(+),2:(+),3:(-),4:(-),5:(+),6:(+), 7:(-),8:(-),9:NC

Unit: mm



Cable permitted bending radius: 43.2 mm