

# Nuvo-2600 Series

Intel® Elkhart Lake Atom® x6425E Fanless Box-PC with 4x PoE+, 7/15mm 2.5" HDD and PCIe Expansion Cassette


[Contact Neosys](#)
[Get Quote](#)

## Key Features

- Intel® Elkhart Lake Atom® x6425E quad-core 2.0GHz/ 3.0GHz 12W processor
- Rugged -25°C to 70°C fanless operation
- 4x Gigabit PoE+ ports via RJ-45 connector with screw-lock
- 1x isolated RS-485 port and 1x RS-422/485 or 3x 3-wire RS-232 ports
- 2x full-size mini-PCIe sockets and 1x M.2 3042/3052 B key
- 1x front-accessible 2.5" SATA SSD tray (up to 15mm height) and 1x M.2 2280 SATA
- 1x patented Cassette for single-slot PCIe card (Nuvo-2600E), or 1x 2500 watt-second SuperCAP UPS (Nuvo-2600J)
- 8V to 35V wide-range DC input with remote control and optional ignition power control

## Introduction

The Nuvo-2600 series is an Intel® Elkhart Lake Atom® fanless box-PC with flexible expansions to fulfill versatile factory automation and machine vision applications that require a compact footprint, Gigabit PoE+ capability, and front-accessible data storage with CPU performance at 12W of low power consumption.

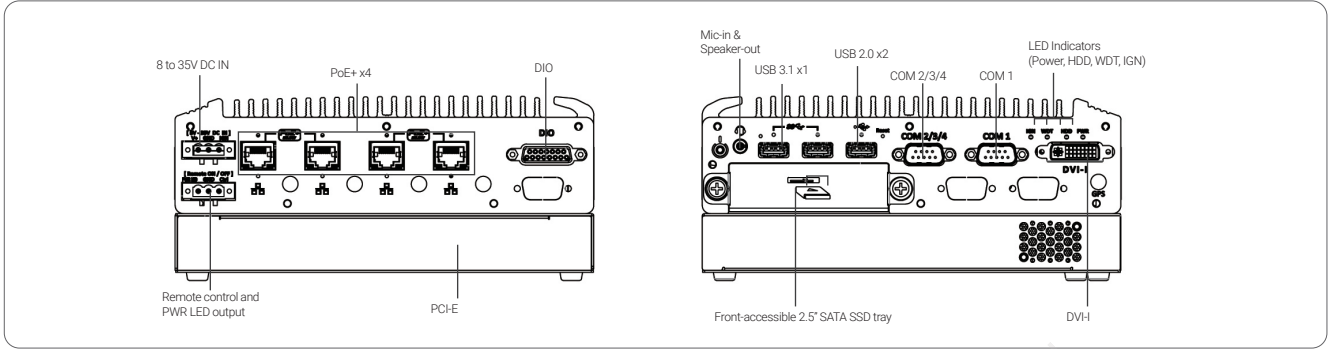
Powered by Intel® Elkhart Lake Atom® x6425E quad-core CPU, the Nuvo-2600 series delivers 320% CPU performance improvement compared with our previous Nuvo-2500E series. The Nuvo-2600 series has four Gigabit PoE+ and one USB 3.1 port with screw-lock mechanisms to secure camera connections. In addition to its internal M.2 2280 SATA SSD for system storage, Nuvo-2600 has one front-accessible 2.5" HDD tray accommodating a 7-15mm 2.5" SSD/HDD up to 5TB in storage capacity. It also has one isolated RS-485 port and isolated DIO to provide robust connections with industrial devices. For internal expansion, the Nuvo-2600 series provides two mini-PCIe sockets and one M.2 3042/3052 B Key socket to support 4G/5G mobile broadband.

To meet diverse deployment requirements, the Nuvo-2600 series comes in two variants. The Nuvo-2600E has a PCIe Cassette for an additional PCIe card, e.g., USB or GbE frame grabber, isolated DIO, or industrial communication card. While Nuvo-2600J has an integrated SuperCAP UPS that can withstand power interruption or voltage fluctuation in industrial environments. Featuring Intel Elkhart Lake Atom® quad-core CPU, wide temperature operation, industrial I/O interfaces, and expansion Cassette module, Nuvo-2600 series is the perfect, multi-purpose fanless box-PC for factory automation and machine vision applications.

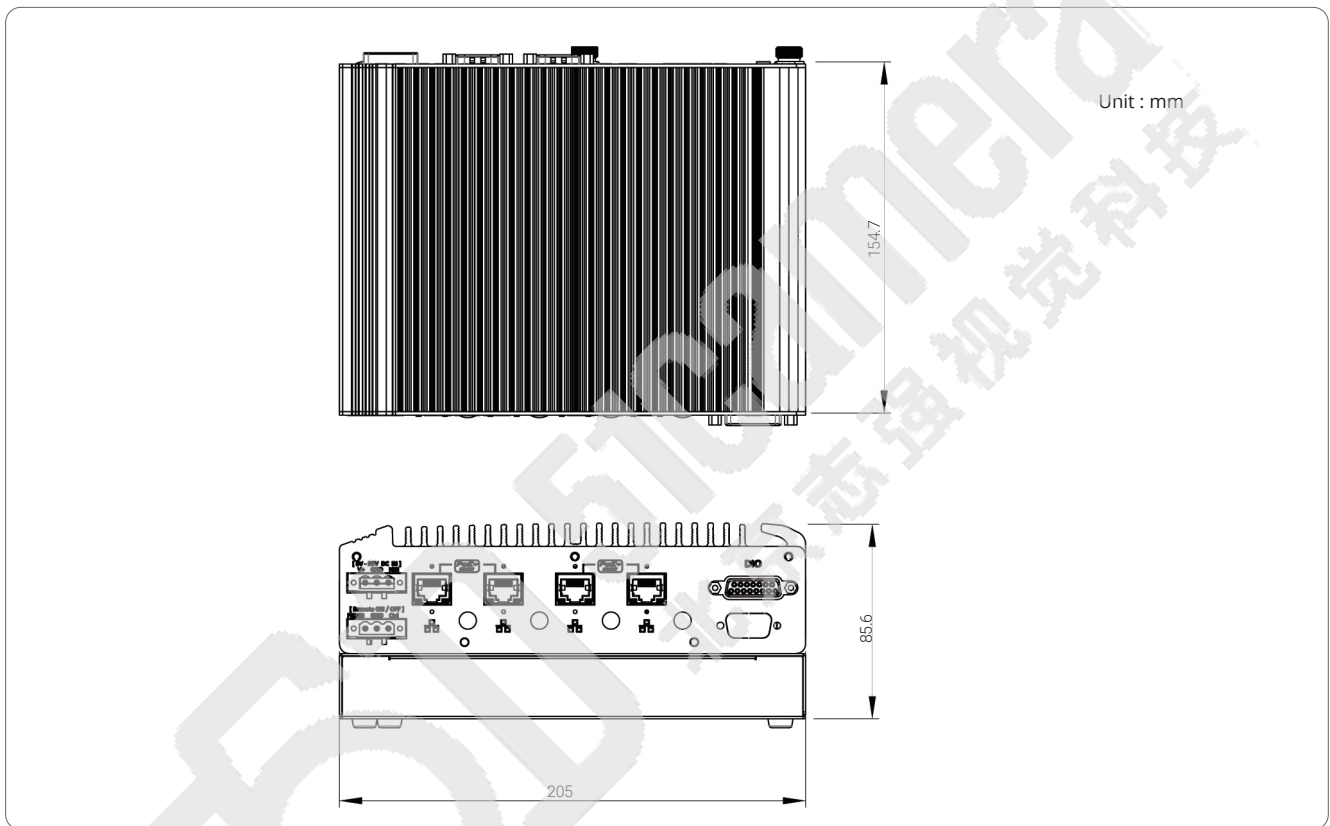
## Specifications

System Core		Power Supply	
Processor	Intel® Elkhart Lake Atom® x6425E quad-core 2.0GHz/3.0GHz 12W processor	DC Input	1x 3-pin pluggable terminal block for 8V to 35V DC input with optional ignition power control
Graphics	Integrated Intel® UHD Graphics	Remote Ctrl. & LED Output	1x 3-pin pluggable terminal block for remote control and PWR LED output
Memory	Up to 32 GB DDR4-3200 SDRAM by one SODIMM socket	<b>Power Backup</b>	
<b>Panel I/O Interface</b>		Capacity	2500 watt-second (Nuvo-2600J only)
Ethernet port	4x Gigabit Ethernet ports via RJ-45 connectors with screw-lock	<b>Mechanical</b>	
PoE Capability	In compliant with IEEE 802.3at PoE+ PSE, maximal 25.5W output on single PoE+ port. Compatible with 802.3at (PoE+) and 802.3af (PoE) PD	Dimension	205 mm (W) x 154.7 mm (D) x 85.6 mm (H)
Video Port	VGA and DVI dual display outputs via DVI-I connector	Weight	2.3 kg (Nuvo-2600E) 2.5 kg (Nuvo-2600J)
USB 3.1	1x USB 3.1 Gen1 (5 Gbps) ports with screw-lock	Mounting	Wall-mount bracket (optional)
USB 2.0	2x USB 2.0 port with screw-lock	<b>Environmental</b>	
Serial Port	1x isolated RS-485 port with 15 kV ESD protection (COM1) 3x 3-wire RS-232 ports (COM2/3/4) or 1x RS-422/485 (COM2)	Operating Temperature	-25°C ~ 70°C*
Audio	1x 3.5 mm jack for mic-in and speaker-out	Storage Temperature	-40°C ~ 85°C
Isolated DIO	4-CH isolated DI and 4-CH isolated DO	Humidity	10%~90% , non-condensing
<b>Internal I/O Interface</b>		Vibration	Operating, MIL-STD-810G, Method 514.7, Category 4
PCIe	1x PCIe x4 slot @ 2-lane PCIe 3.0 signal in Cassette (Nuvo-2600E only)	Shock	Operating, MIL-STD-810G, Method 516.7, Procedure I
Mini-PCIe	1x full-size mini PCI Express socket with PCIe and USB 2.0 signal 1x full-size mini PCI Express socket with USB 2.0 signal	EMC	CE/FCC Class A, according to EN 55032 & EN 55035
M.2 B key	1x M.2 3042/3052 B key (USB 3.1 + USB 2.0) for 4G/5G module with dual internal micro SIM socket	<small>** For sub-zero operating temperature, a wide temperature HDD drive or Solid State Disk (SSD) is required.</small>	
<b>Storage Interface</b>			
M.2 SATA	1x M.2 2280 M key (SATA interface only) socket for SATA SSD installation		
SATA HDD	1x front-accessible HDD tray for 2.5" HDD/ SSD installation (up to 15mm height)		

## Appearance



## Dimensions



## Ordering Information

Model No.	Product Description
<b>Nuvo-2600E</b>	Intel® Elkhart Lake Atom® x6425E fanless box PC with 4x GbE, 7/15mm 2.5" HDD and PCIe expansion Cassette
<b>Nuvo-2600E-PoE</b>	Intel® Elkhart Lake Atom® x6425E fanless box PC with 4x PoE+ GbE, 7/15mm 2.5" HDD and PCIe expansion Cassette
<b>Nuvo-2600E-IGN</b>	Intel® Elkhart Lake Atom® x6425E fanless box PC with 4x GbE, 7/15mm 2.5" HDD and PCIe expansion Cassette and ignition power control
<b>Nuvo-2600E-PoE-IGN</b>	Intel® Elkhart Lake Atom® x6425E fanless box PC with 4x PoE+ GbE, 7/15mm 2.5" HDD and PCIe expansion Cassette and ignition power control
<b>Nuvo-2600J</b>	Intel® Elkhart Lake Atom® x6425E fanless box PC with 4x GbE, 7/15mm 2.5" HDD and SuperCAP UPS
<b>Nuvo-2600J-PoE</b>	Intel® Elkhart Lake Atom® x6425E fanless box PC with 4x PoE+ GbE, 7/15mm 2.5" HDD and SuperCAP UPS
<b>Nuvo-2600J-IGN</b>	Intel® Elkhart Lake Atom® x6425E fanless box PC with 4x GbE, 7/15mm 2.5" HDD and SuperCAP UPS and ignition power control
<b>Nuvo-2600J-PoE-IGN</b>	Intel® Elkhart Lake Atom® x6425E fanless box PC with 4x PoE+ GbE, 7/15mm 2.5" HDD and SuperCAP UPS and ignition power control

## Optional Accessories

<b>PA-120W-OW</b>	120W AC/DC power adapter 20V/6A; 18AWG/120cm; cord end terminals for terminal block, operating temperature: -25 to 70°C.
<b>PA-160W-OW</b>	160W AC-DC power adapter 20V/8A; 18AWG/120cm; cord end terminals for terminal block, operating temperature: -25 to 70°C.
<b>Wmkit-Nuvo-2600</b>	Wall mounting kit for Nuvo-2600 and Nuvo-2610VTC series, including wall mounting brackets and screws
<b>AccsyBx-FAN-Nuvo-2600E</b>	Single fan kit for the PCIe cassette of Nuvo-2600 and Nuvo-2610VTC series, including one 25x25mm fan and screws