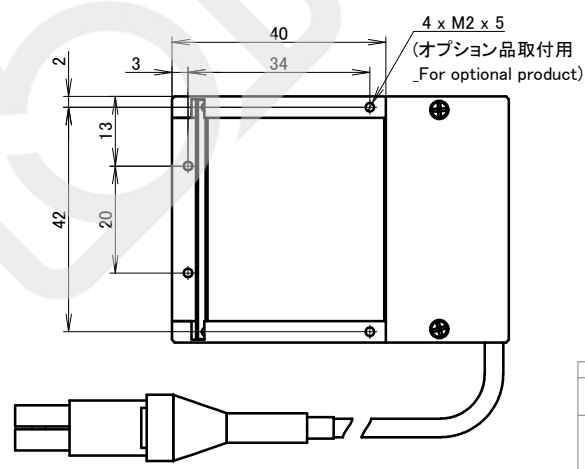
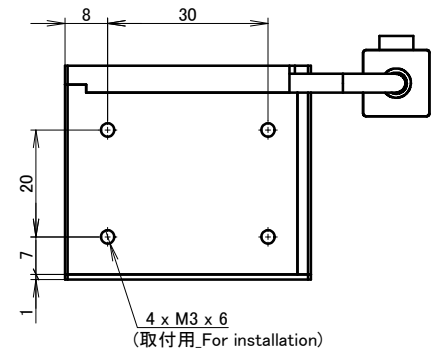
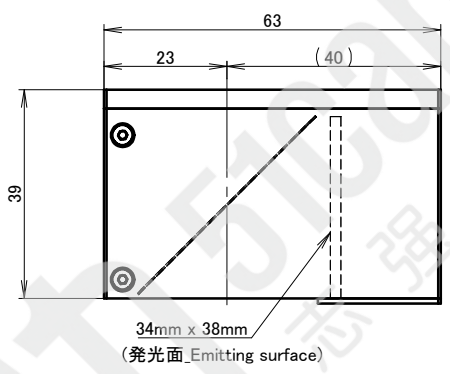
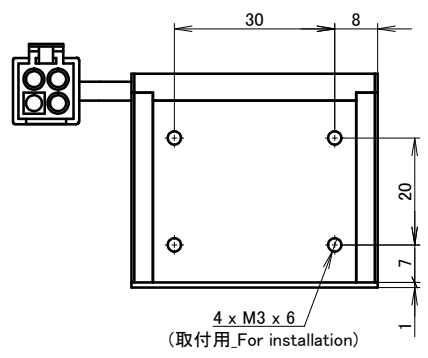
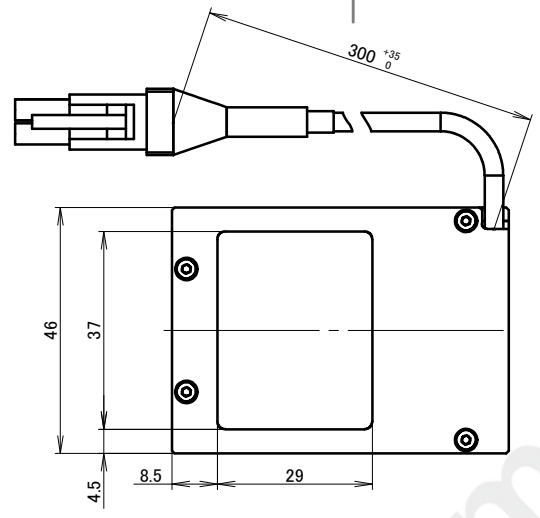


ELP-04NV  
 ①:茶\_Brown(+)  
 ②:NC  
 ③:青\_Blue(-)  
 ④:NC



型式_Model	ピーク電流_Peak current
LFV-G-PF-35SW	8.0A
LFV-G-PF-35RD	8.0A

入力電圧\_Input Voltage : DC 48V  
 ピーク電流\_Peak current : 表参照\_Table reference  
 質量\_Mass : 0.150kg(概算\_Approx.)

※常時点灯しないで下さい。この照明には点灯条件に制限があります。  
 点灯条件:パルス幅 500μs以下、デューティー比1%以下  
 Do not light up the illuminator continuously.  
 This illuminator has some restrictions for lighting-up condition.  
 Please keep strictly the duty cycle under 1% and pulse width under 500μs.

UNIT:mm

REVISION	DATE	DESCRIPTION	REVISED
000			

ISSUE DATE	SCALE	APPROVED	NAME
2022/07/21	1:1	T.OSAWA	LFV-G-PF-35 series
		CHECKED	DRAWING NAME
		H.AOKI	外觀図_outline
		DESIGNED	DRAWING No.
		A.FUKUMOTO	UA40647-G
		DRAWN	REVISION
		A.FUKUMOTO	000

