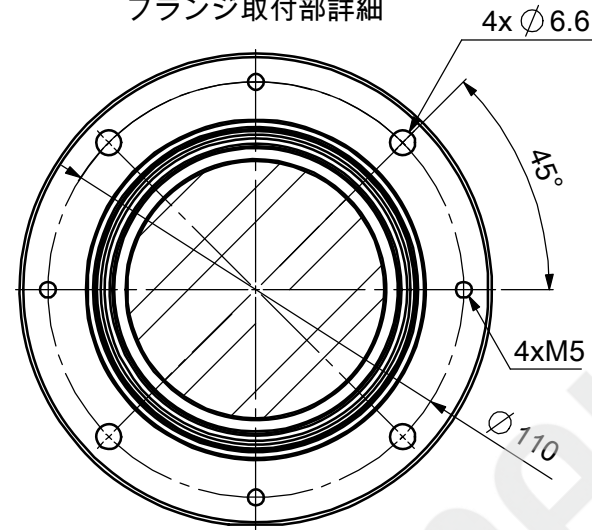
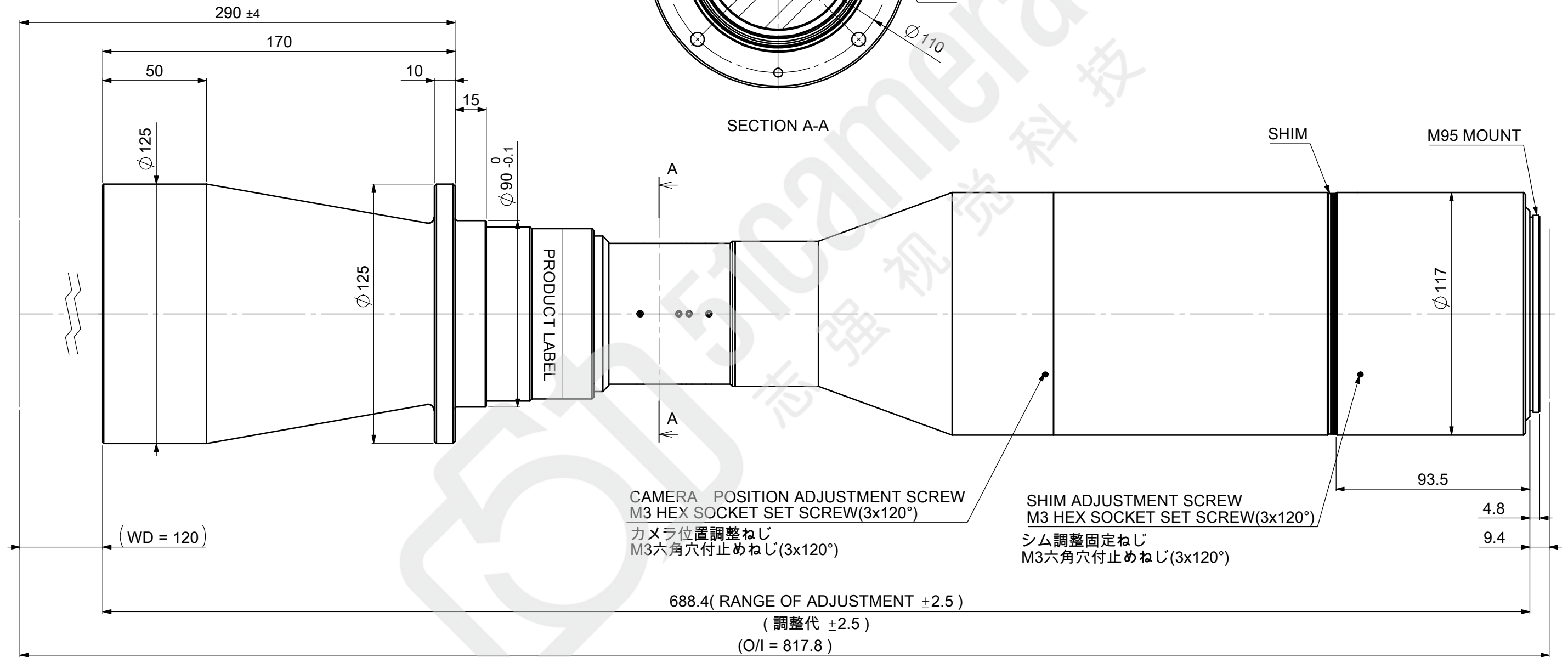


MOUNTING PORTION DETAIL VIEW

フランジ取付部詳細



SECTION A-A



MAGNIFICATION : 0.92x  
光学倍率 : 0.92x

Model Name : MTL-9082M95-091  
MORITEX CORPORATION