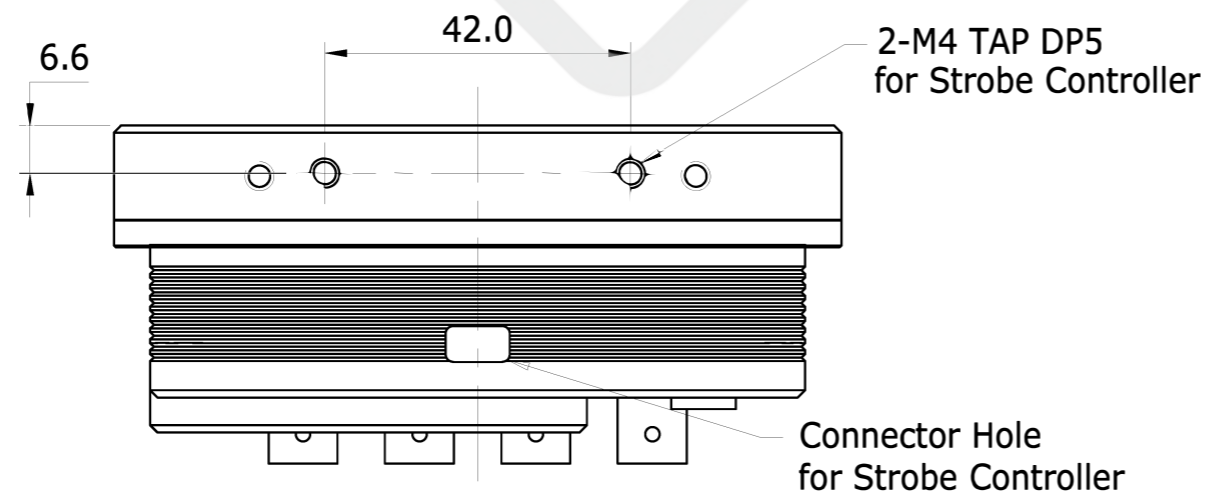
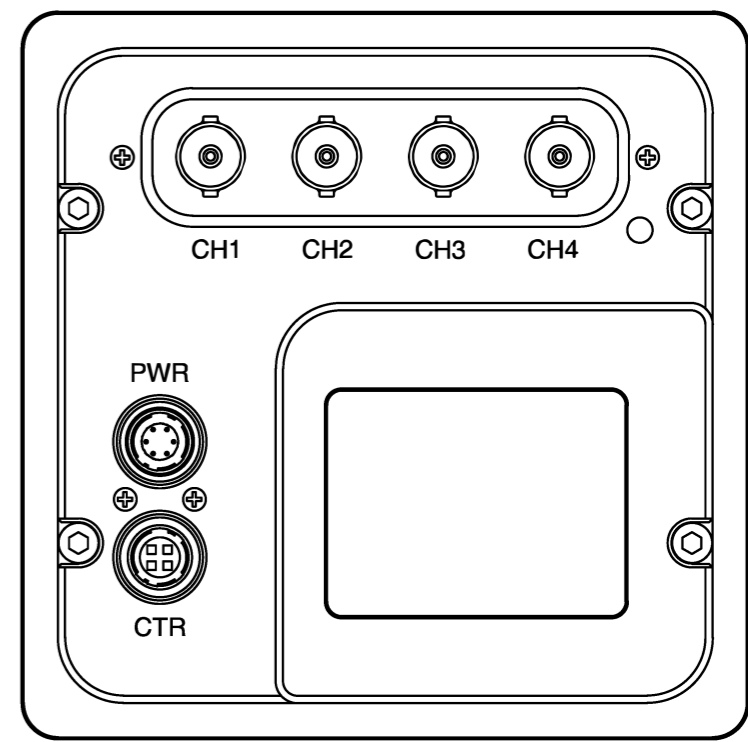
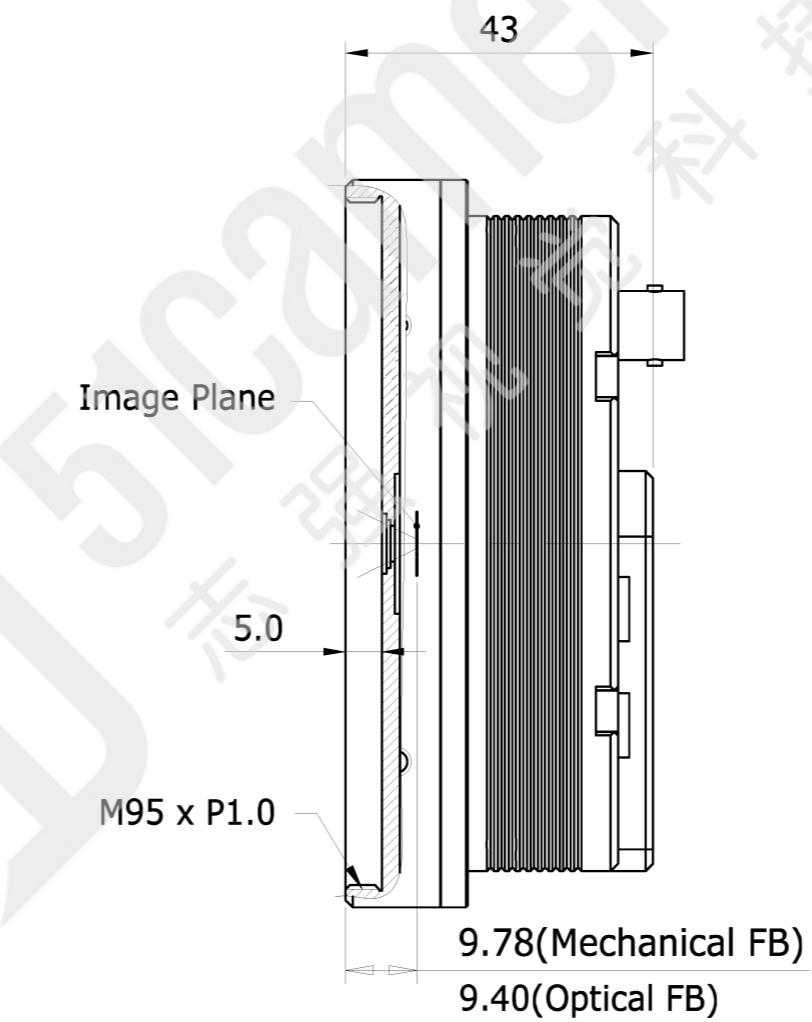
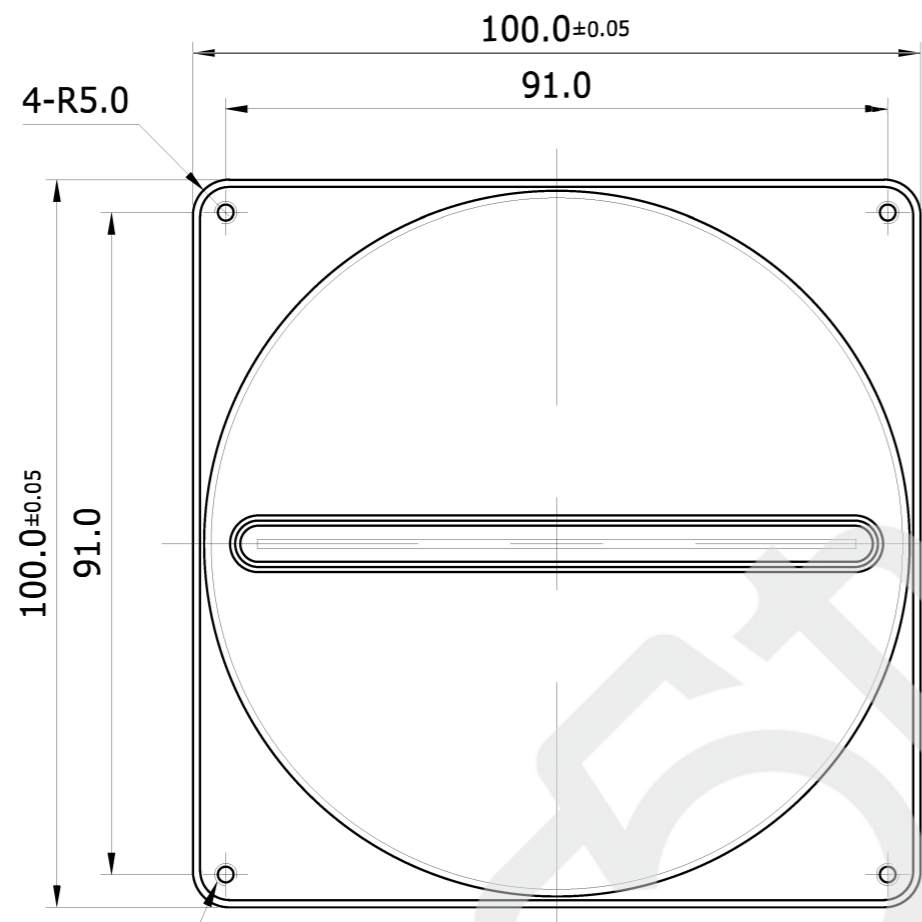
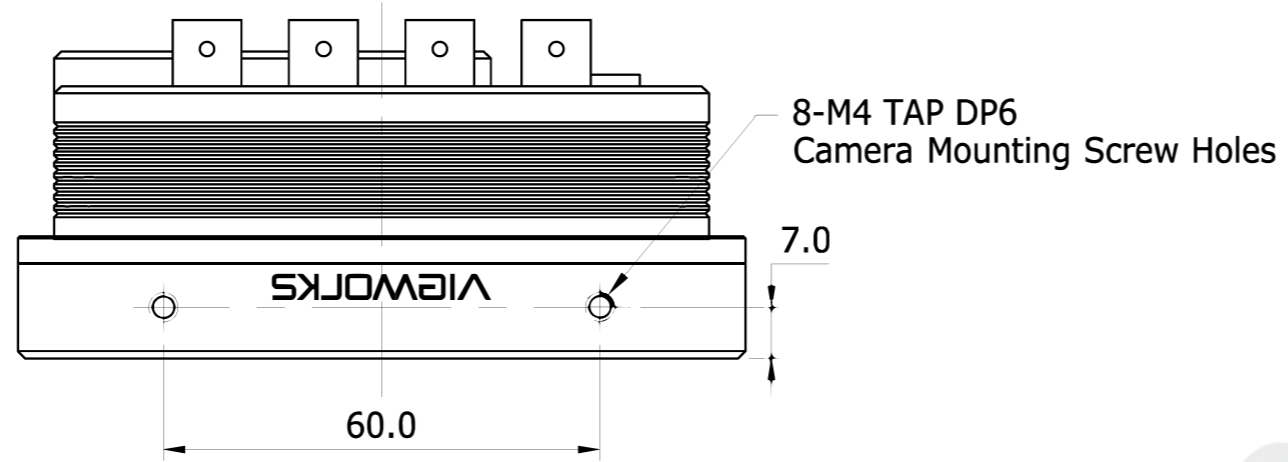


UNIT	ITEM	REVISION	V1.2
mm	VT-16-23K-CXP-M95		'18.08.02



<b>MODEL NAME</b>	
<b>Lens Mount: M95-mount</b>	
1	VT-16K5X-H(E)140
2	VT-23K3.5X-H(E)100