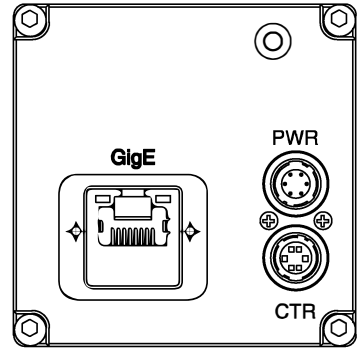
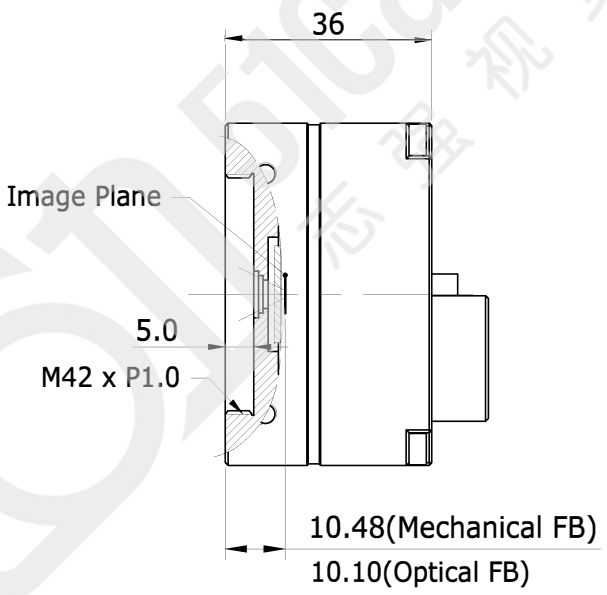
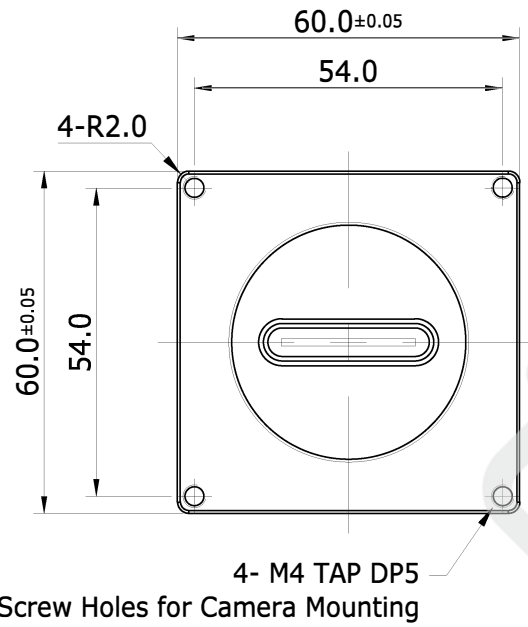
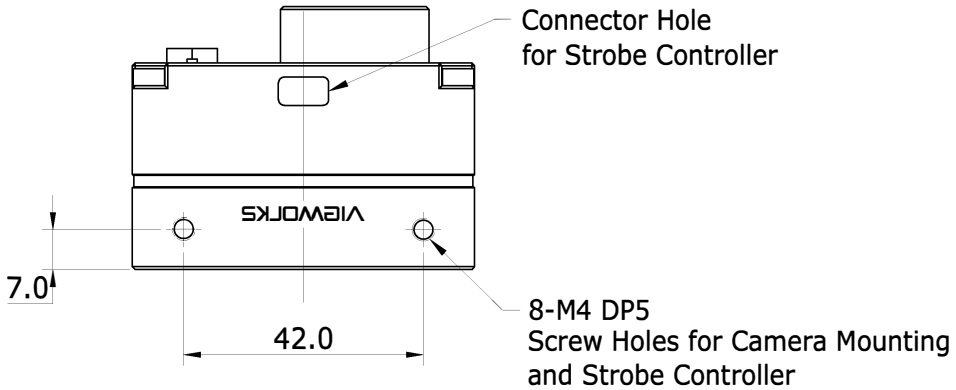


UNIT	ITEM	REVISION	V1.5
mm	VT-3-4-6K-GigE-M42 VTC-2K-GigE-M42		'20.02.28



<b>MODEL NAME</b>	
<b>Lens Mount: M42-mount</b>	
1	VT-3K7G-M38A
2	VT-4K5G-M26A
3	VT-6K3.5G-H-E19A
4	VTC-2K10.5G-C19