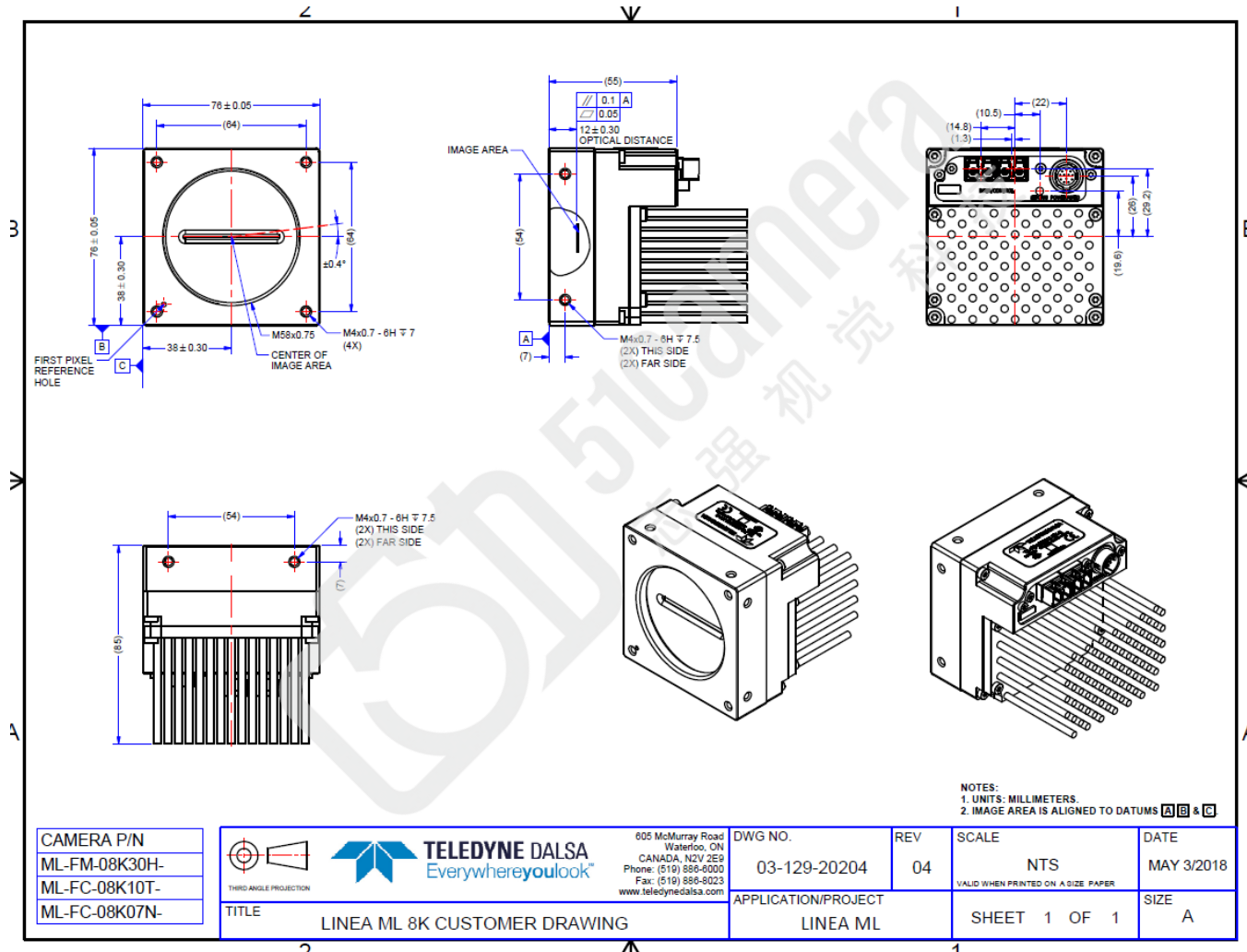


Mechanical Drawings

ML-FC-08K07N-00-R



NOTES:
 1. UNITS: MILLIMETERS.
 2. IMAGE AREA IS ALIGNED TO DATUMS **A**, **B** & **C**.

CAMERA P/N
ML-FM-08K30H-
ML-FC-08K10T-
ML-FC-08K07N-

 THIRD ANGLE PROJECTION	 TELEDYNE DALSA Everywhereyoulook™	605 McMurray Road Waterloo, ON CANADA, N2V 2E9 Phone: (519) 886-8000 Fax: (519) 886-8023 www.teledynedalsa.com	
		DWG NO. 03-129-20204 REV 04 APPLICATION/PROJECT LINEA ML	
TITLE LINEA ML 8K CUSTOMER DRAWING		SCALE NTS VALID WHEN PRINTED ON A SIZE PAPER	
		DATE MAY 3/2018 SIZE A	

DWG NO.	REV	SCALE	DATE
03-129-20204	04	NTS	MAY 3/2018
APPLICATION/PROJECT	SHEET 1 OF 1		SIZE
LINEA ML			A