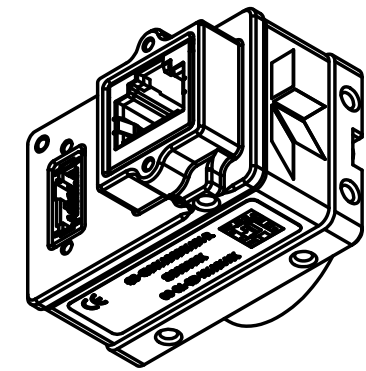
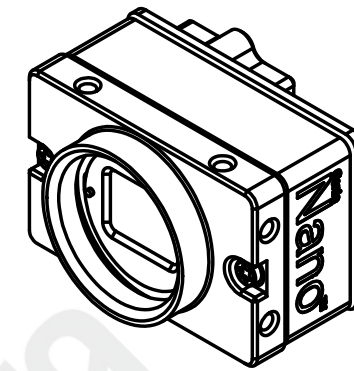
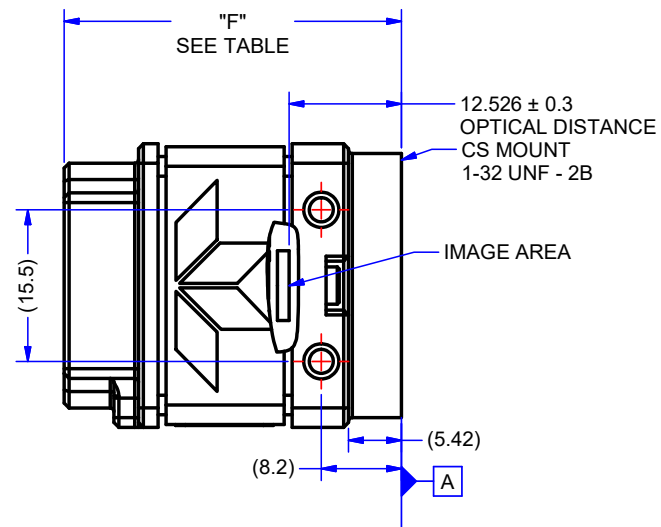


2



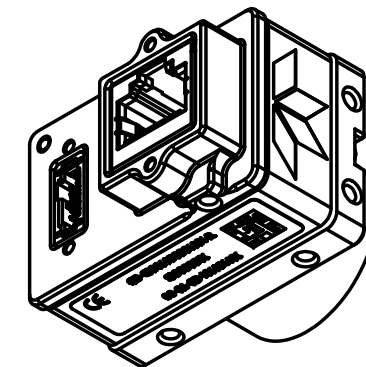
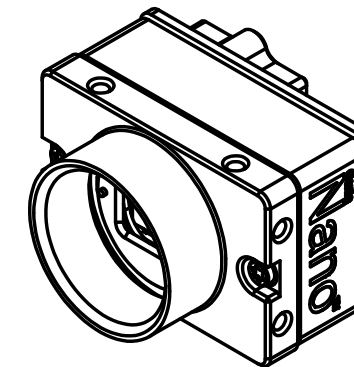
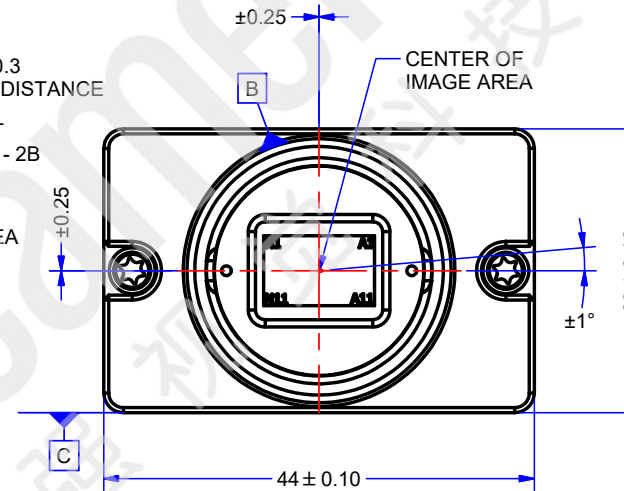
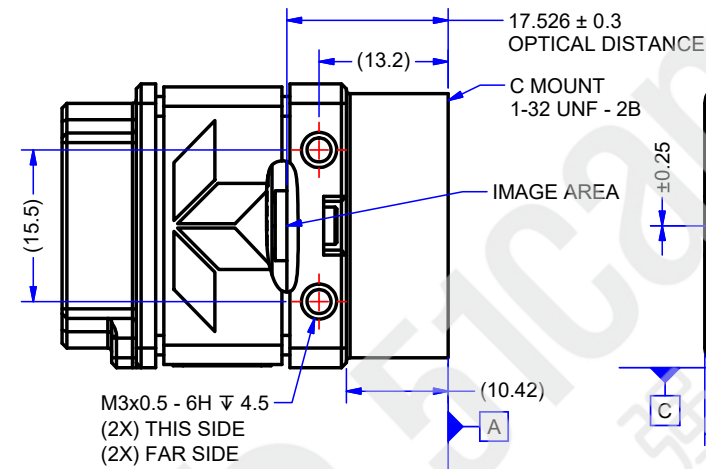
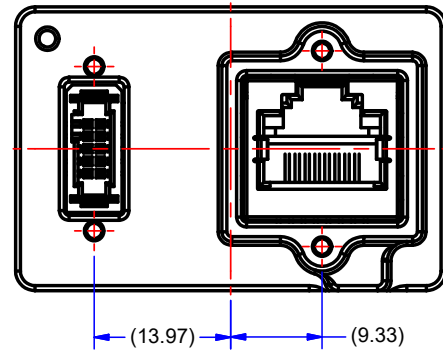
1



CS MOUNT

B

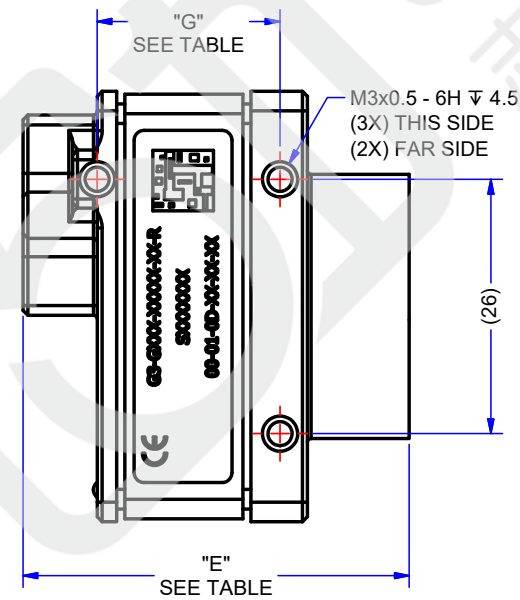
B



C MOUNT

A

A



NOTES:
 1. UNITS: MILLIMETERS.
 2. IMAGE AREA IS ALIGNED TO DATUMS **A**, **B** & **C**.

 THIRD ANGLE PROJECTION	 TELEDYNE DALSA Everywhereyoulook™	605 McMurray Road Waterloo, ON CANADA, N2V 2E9 Phone: (519) 886-6000 Fax: (519) 886-8023 www.teledynedalsa.com		DWG NO. 03-129-20166	REV 07	SCALE NTS VALID WHEN PRINTED ON A SIZE PAPER	DATE APR 25/2016
		TITLE CUSTOMER DRAWING : SMALL CASING		APPLICATION/PROJECT GENIE NANO 1 GigE		SHEET 1 OF 2	

2



1

2



1

MODELS	E (C MOUNT)	F (CS MOUNT)	G	STEP MODEL
M1940, M1920, C1940, C1920, C4900IF	MAX 40.3 / MIN 38.8	N/A	MAX 19.6 / MIN 17.8	SIZE 2 (C-MNT)
M1941, M1921, C1941, C1921, C4901IF	N/A	MAX 35.3 / MIN 33.8	MAX 19.6 / MIN 17.8	SIZE 2 (CS-MNT)
C1940IF, C1920IF	MAX 40.6 / MIN 39.1	N/A	MAX 19.9 / MIN 18.1	SIZE 3 (C-MNT)
C1941IF, C1921IF	N/A	MAX 35.6 / MIN 34.1	MAX 19.9 / MIN 18.1	SIZE 3 (CS-MNT)
M1280, M800, M640, C1280, C800, C640	MAX 40.6 / MIN 39.1	N/A	MAX 19.9 / MIN 18.1	SIZE 3 (C-MNT)
M1281, M801, M641, C1281, C801, C641	N/A	MAX 35.6 / MIN 34.1	MAX 19.9 / MIN 18.1	SIZE 3 (CS-MNT)
C1280IF, C800IF, C640IF	MAX 40.9 / MIN 39.4	N/A	MAX 20.2 / MIN 18.5	SIZE 4 (C-MNT)
C1281IF, C801IF, C641IF	N/A	MAX 35.9 / MIN 34.4	MAX 20.2 / MIN 18.5	SIZE 4 (CS-MNT)
M2590, M1930, C2590, C1930	MAX 40.6 / MIN 39.1	N/A	MAX 19.9 / MIN 18.1	SIZE 3 (C-MNT)
M2591, M1931, C2591, C1931	N/A	MAX 35.6 / MIN 34.1	MAX 19.9 / MIN 18.1	SIZE 3 (CS-MNT)
C2590IF, C1930IF	MAX 40.9 / MIN 39.5	N/A	MAX 20.2 / MIN 18.5	SIZE 4 (C-MNT)
C2591IF, C1931IF	N/A	MAX 35.9 / MIN 34.5	MAX 20.2 / MIN 18.5	SIZE 4 (CS-MNT)
M2450, M2420, M2050, M2020, C2450, C2420, C2050, C2020	MAX 40.3 / MIN 38.8	N/A	MAX 19.6 / MIN 17.9	SIZE 2 (C-MNT)
M2451, M2421, M2051, M2021, C2451, C2421, C2051, C2021	N/A	MAX 35.3 / MIN 33.8	MAX 19.6 / MIN 17.9	SIZE 2 (CS-MNT)
C2450IF, C2420IF, C2050IF, C2020IF	MAX 40.6 / MIN 39.1	N/A	MAX 19.9 / MIN 18.1	SIZE 3 (C-MNT)
C2451IF, C2421IF, C2051IF, C2021IF	N/A	MAX 35.6 / MIN 34.1	MAX 19.9 / MIN 18.1	SIZE 3 (CS-MNT)
M4020, M4030, M4040, M4060, C4020, C4030, C4040, C4060	MAX 40.3 / MIN 38.8	N/A	MAX 19.6 / MIN 17.9	SIZE 2 (C-MNT)
M4021, M4031, M4041, M4061, C4021, C4031, C4041, C4061	N/A	MAX 35.3 / MIN 33.8	MAX 19.6 / MIN 17.9	SIZE 2 (CS-MNT)
C4020IF, C4030IF, C4040IF, C4060IF	MAX 40.6 / MIN 39.1	N/A	MAX 19.9 / MIN 18.1	SIZE 3 (C-MNT)
C4021IF, C4031IF, C4041IF, C4061IF	N/A	MAX 35.6 / MIN 34.1	MAX 19.9 / MIN 18.1	SIZE 3 (CS-MNT)
C4900	MAX 39.9 / MIN 38.5	N/A	MAX 19.2 / MIN 17.6	SIZE 1 (C-MNT)
C4901	N/A	MAX 34.9 / MIN 33.5	MAX 19.2 / MIN 17.6	SIZE 1 (CS-MNT)

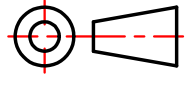

B

B



A

A

 <small>THIRD ANGLE PROJECTION</small>	 TELEDYNE DALSA <i>Everywhereyoulook™</i>	605 McMurray Road Waterloo, ON CANADA, N2V 2E9 Phone: (519) 886-6000 Fax: (519) 886-8023 www.teledynedalsa.com		DWG NO. 03-129-20166	REV 07	SCALE NTS <small>VALID WHEN PRINTED ON A SIZE PAPER</small>	DATE APR 25/2016
		TITLE CUSTOMER DRAWING : SMALL CASING	APPLICATION/PROJECT GENIE NANO 1 GigE		SHEET 2 OF 2		SIZE A

2



1