

▪ 3 x 4096 pixels

▪ 66 kHz

Sweep Series



## ➤ SW-4000TL-SFP

High speed CMOS trilinear camera

**GIG**<sup>®</sup>  
VISION



- **Newly developed “state of the art” CMOS trilinear sensor**
- **Provides 10GBASE-R (fiber optic) output over SFP+ interface**
- **Max. line rate of 66 kHz for 3 x 4096 RGB8 or YUV422 (8-bit) output**
- **Horizontal and vertical binning functions**
- **Intelligent sub-pixel spatial compensation and tilted view correction**
- **HSI and XYZ color space conversion**
- **Large variety of trigger options**
- **Supports direct encoder connection to camera**
- **Excellent shock and vibration resistance**
- **Compact size and high robustness for industrial environments**
- **Time stamping of line data and Precision Time Protocol support**
- **GigE Vision 2.0 interface with selectable YUV, 3 x 8-bit RGB, or 3 x 10-bit RGB**

# Specifications for SW-4000TL-SFP

# Sweep Series

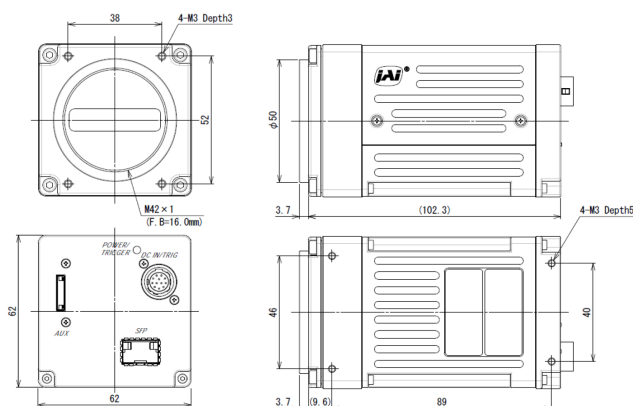
Specifications	SW-4000TL-SFP
Scanning system	Trilinear CMOS line scan
Active pixels	3 x 4096 pixels (R, G, B) in trilinear configuration
Line rate	Up to 66.6 kHz (variable)
Sensor width	30.72 mm
Pixel size	7.5 µm x 7.5 µm
Ethernet speeds	10GBASE-SR / 10GBASE-LR / 10GBASE-ER
Video output	RGB8, RGB10V1Packed, RGB10p32, YUV422_8_UVYV, YUV422_8
Object illuminance (min.)	220 lx @ 7800 K (Gain 18 dB, 525 µs exp., 50% video, RGB8)
Responsivity	127 DN/nj/cm <sup>2</sup> (G ch 10-bit @ 550 nm)
S/N ratio	57 dB on green, dark level, 10-bit with 0 dB gain
Inputs	Trigger (1 Opto In + 1 TTL via 12-pin, 2 TTL via 10-pin), Pulse Generator (4), NAND Out (2), Action (4)
Outputs	2 TTL via 12-pin, 2 TTL via 10-pin
Gain	Analog Base Gain: 0 dB / 6 dB / 12 dB Digital Master: 0 to +18 dB, R/B: -7.96 to +12 dB Digital Individual: 0 to +24 dB
Gamma	0.45 to 1.0 (9 steps) or 257-point LUT
Image processing	PRNU/DSNU, black level, shading, tilted view, spatial compensation, chromatic aberration
Color space conversion	RGB to HSI, RGB to XYZ (CIE), sRGB, Adobe RGB, or User Custom RGB
Exposure modes	No shutter, shutter select, and trigger width control
Electronic shutter	3 µs to 15.015 µs in 1 µs increments at fastest line rate. Exposure time can be longer at slower line rates.
Pulse width control	3 µs to 2 sec (via Camera Link) 1.8 µs to 2 sec (via 12-pin/10-pin connectors)
Time synchronization	Support for Precision Time Protocol (IEEE 1588)
Lens mount	M42 mount or Nikon F-mount
Operating temp. (ambient)	-5°C to +45°C (20 to 80% non-condensing)
Storage temp. (ambient)	-25°C to +60°C (20 to 80% non condensing)
Vibration	10G (20 Hz to 200 Hz, XYZ directions)
Shock	80G
Regulations	CE (EN61000-6-2, EN61000-6-3) FCC Part 15 Class B, RoHS/WEEE
Power	12-pin +10V to +25V DC
Power consumption	8.0 W typical @ +12V
Dimensions (H x W x L)	(excluding rear connector protrusion) M42 mount 62 mm x 62 mm x 106 mm F-mount 62 mm x 62 mm x 136.5 mm
Weight	M42 mount 340 g F-mount 410 g

## Ordering Information

SW-4000TL-SFP-F	CMOS trilinear RGB camera with F-mount
SW-4000TL-SFP-M42A	CMOS trilinear RGB camera with M42 mount <sup>1</sup>

<sup>1</sup>M42 x 1 with 16 mm flange back distance

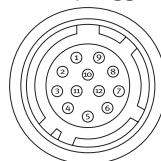
## Dimensions (M42)



M42 model shown. For F-mount drawings and dimensions, see manual.

## Connector pin-out

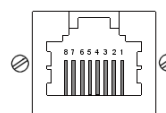
### DC In / Trigger



HIROSE HR10A-10R-12PB(71)

Pin	Signal
1	Ground
2	DC in +12V to +24V
3	Ground
4	Reserved
5	Opto in 1-
6	Opto in 1+
7	TTL out 4
8	NC
9	TTL out 1
10	TTL in 1
11	DC in +12V to +24 V
12	Ground

### GigE Vision Interface

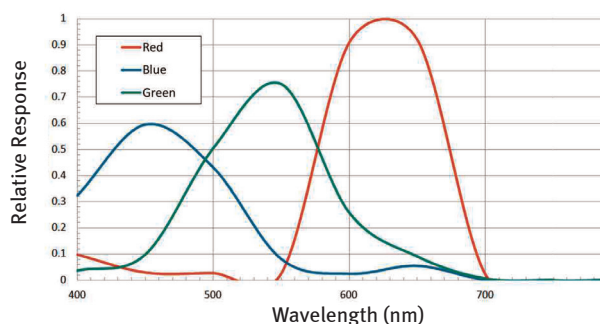


RJ-45 with locking screws

Pin	Signal
1	TRD+ (0)
2	TRD- (0)
3	TRD+ (1)
4	TRD+ (2)
5	TRD- (2)
6	TRD- (1)
7	TRD+ (3)
8	TRD- (3)

## Spectral response

### SW-4000TL-10GE Sensitivity



Europe, Middle East & Africa  
Phone +45 4457 8888  
Fax +45 4491 8880

Asia Pacific  
Phone +81 45 440 0154  
Fax +81 45 440 0166

Americas  
Phone (Toll-Free) 1 800 445 5444  
Phone +1 408 383 0300

Visit our website on [www.jai.com](http://www.jai.com)

**JAI**<sup>®</sup>  
See the possibilities

Company and product names mentioned in this datasheet are trademarks or registered trademarks of their respective owners. JAI-A-S cannot be held responsible for any technical or typographical errors and reserves the right to make changes to products and documentation without prior notice.

November 2019