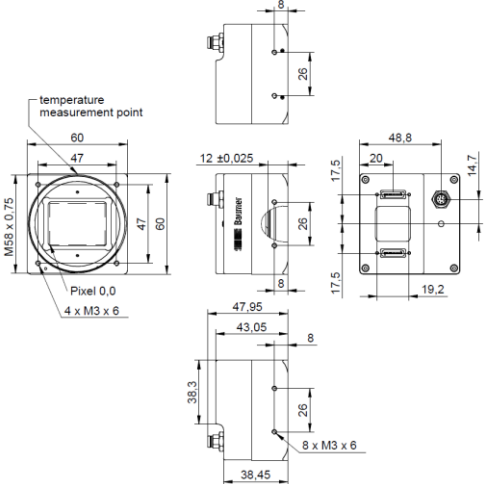


## Interfaces and Connectors

Data Interface (1/2)	Camera Link: Connector:	Transfer Rate up to 10 tap / 85 MHz Camera Link SDR26 Mini screw lock type
Power and Process Interface	Pin Assignment: Connector: Assignment:	See user manual SACC-DSI-M8MS-8CON-M8-L180 SH 1 – NC 2 – Power VCC 3 – IN1 (Line0) 4 – IO GND
		5 – IO Power VCC 6 – OUT1 (Line1) 7 – GND 8 – NC

## Mechanical Data

Housing	Aluminum, IP40
Dimensions	
Weight	235 g (M58-Mount), 335 g (F-Mount), 285 g (M42-Mount), 275 g (C-Mount)

## Optical Data

Lens Mount	M58-Mount, via optional adapters F-/M42-/C-Mount
Optical Filter	UV/IR Cut

## Electrical Data

Power Supply (ext.)	VCC: 12 ... 24 V DC $\pm$ 20%
	I: 420 ... 830 mA
Power over Camera Link (PoCL)	VCC: 12 V DC $\pm$ 20%
	I: 830 mA
Power Consumption	approx. 10 W @ 24 VDC and 15 fps approx. 10 W @ 12 VDC (PoCL) and 15 fps
Digital Input	$U_{IN(low)}$ : 0.0 ... 4.5 VDC $U_{IN(high)}$ : 11.0 ... 30.0 VDC $I_{IN}$ : 6.0 ... 10 mA min. Impulse Length: 2.0 $\mu$ sec Trigger Delay out of treadout: 110.0 $\mu$ sec max. Trigger Delay during treadout: 110.0 $\mu$ sec
Digital Output	$U_{EXT}$ : 5 ... 30 V DC $I_{OUT}$ : max. 50 mA