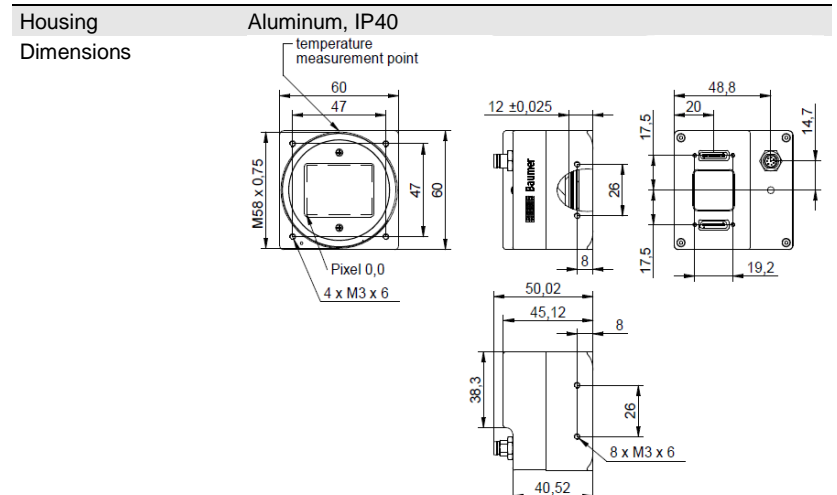


Interfaces and Connectors

Data Interface (1/2)	Camera Link: Connector:	Transfer Rate up to 10 tap / 85 MHz Camera Link SDR26 Mini screw lock type
	Pin Assignment:	See user manual
Power and Process Interface	Connector: SH	SACC-DSI-M8MS-8CON-M8-L180
	Assignment:	1 – NC 5 – IO Power VCC 2 – Power VCC 6 – OUT1 (Line1) 3 – IN1 (Line0) 7 – GND 4 – IO GND 8 – NC

Mechanical Data



Weight	235 g (M58-Mount), 335 g (F-Mount), 285 g (M42-Mount), 275 g (C-Mount)
--------	--

Optical Data

Lens Mount	M58-Mount, via optional adapters F-/M42-/C-Mount
Optical Filter	UV/IR Cut

Electrical Data

Power Supply (ext.)	VCC: 12 ... 24 V DC ± 20%
	I: 325 ... 650 mA
Power over Camera Link (PoCL)	VCC: 12 V DC ± 20%
	I: 650 mA
Power Consumption (1X10-1Y, 85 MHz)	approx. 7.8 W @ 24 VDC and 32 fps
	approx. 7.8 W @ 12 VDC (PoCL) and 32 fps
Digital Input	$U_{IN(low)}$: 0.0 ... 4.5 VDC $U_{IN(high)}$: 11.0 ... 30.0 VDC I_{IN} : 6.0 ... 10 mA min. Impulse Length: 2.0 µsec Trigger Delay out of treadout: 4.0 µsec max. Trigger Delay during treadout: 30.0 µsec
Digital Output	U_{EXT} : 5 ... 30 V DC I_{OUT} : max. 50 mA