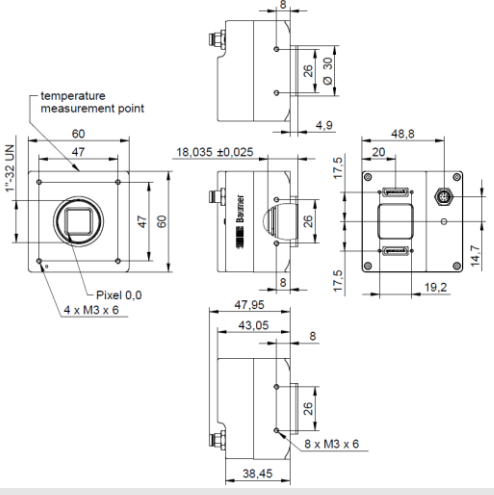


Interfaces and Connectors

Data Interface (1/2)	Camera Link: Connector:	Transfer Rate up to 10 tap / 85 MHz Camera Link SDR26 Mini screw lock type
	Pin Assignment:	See user manual
Power and Process Interface	Connector: Assignment:	SACC-DSI-M8MS-8CON-M8-L180 SH 1 – NC 2 – Power VCC 3 – IN1 (Line0) 4 – IO GND
		5 – IO Power VCC 6 – OUT1 (Line1) 7 – GND 8 – NC

Mechanical Data

Housing	Aluminum, IP40
Dimensions	
Weight	285 g

Optical Data

Lens Mount	C-Mount
Optical Filter	UV/IR Cut

Electrical Data

Power Supply (ext.)	VCC: 12 ... 24 V DC ± 20%
	I: 158 ... 317 mA
Power over Camera Link (PoCL)	VCC: 12 V DC ± 20%
	I: 317 mA
Power Consumption	approx. 3.8 W @ 24 VDC and 180 fps approx. 3.8 W @ 12 VDC (PoCL) and 180 fps
Digital Input	U _{IN(low)} : 0.0 ... 4.5 VDC U _{IN(high)} : 11.0 ... 30.0 VDC I _{IN} : 6.0 ... 10 mA min. Impulse Length: 2.0 µsec Trigger Delay out of treadout: 4.0 µsec max. Trigger Delay during treadout: 30.0 µsec
Digital Output	U _{EXT} : 5 ... 30 V DC I _{OUT} : max. 50 mA