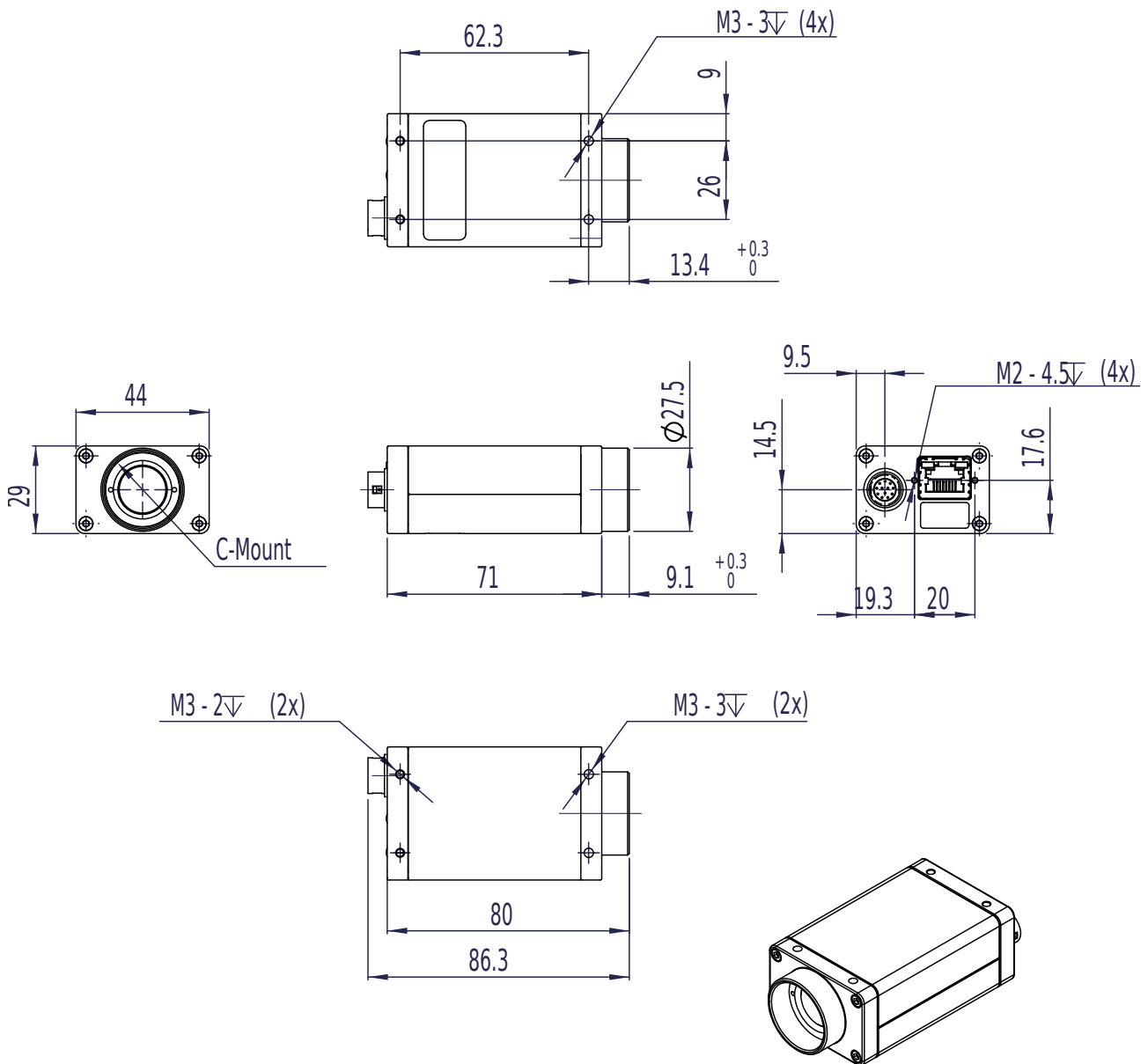


外形尺寸



应用场景

Manta G-2040 is ideal for a wide range of applications including:

- Machine Vision
- Broadcast analysis requiring Full HD such as sports analytics