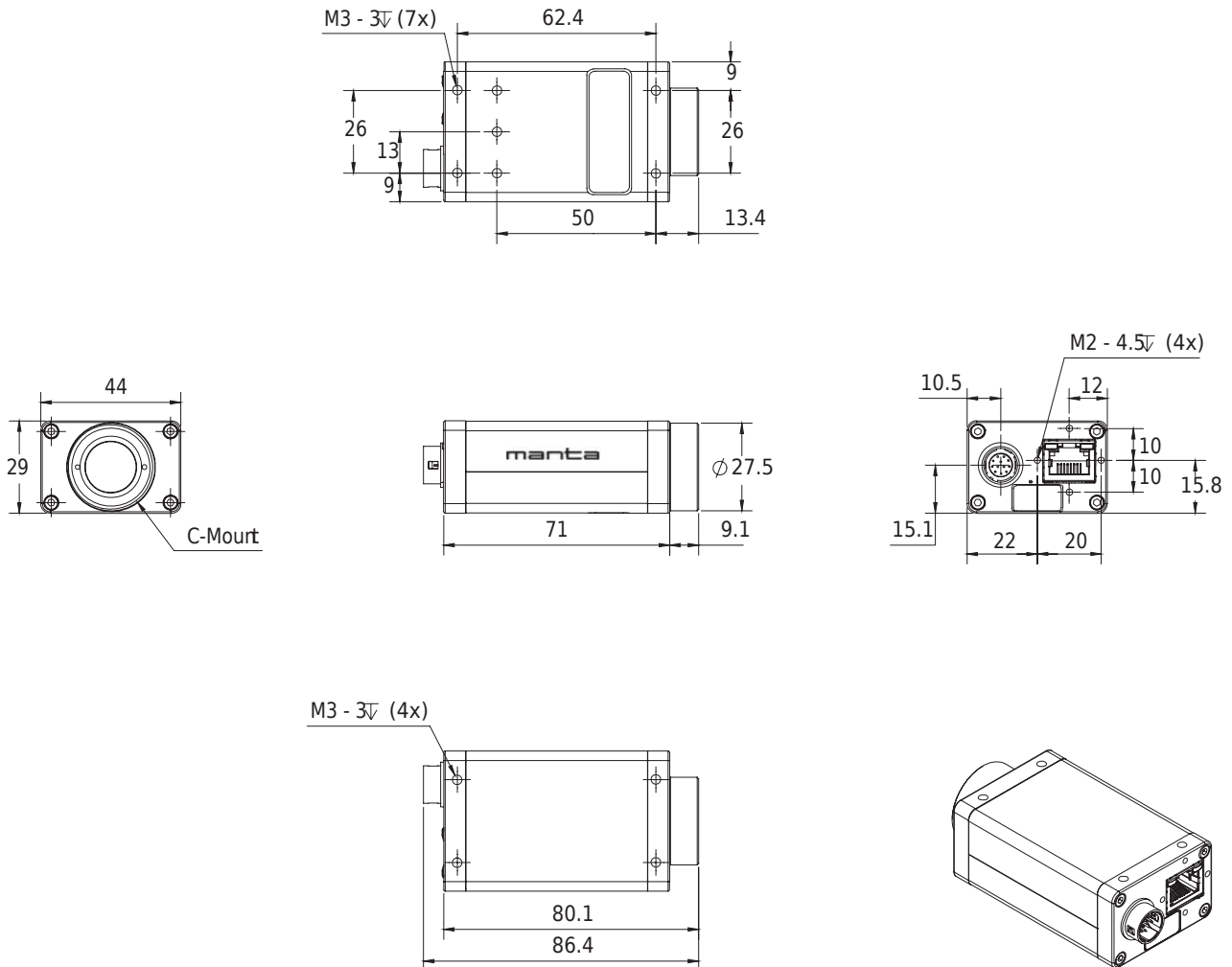


外形尺寸



应用场景

Manta G-046 is suitable for a wide range of applications including:

- Applications which require high sensitivity (low light)
- Semiconductor inspection
- Pharmaceutical inspection
- Logistics
- Intelligent traffic solutions (ITS)/Traffic monitoring