



Piranha4 2K RGB + NIR / Mono

High Speed Multi-Spectral Camera



Key Features

- High speed: up to 70 kHz line rates
- Three native colors (RGB) plus NIR / Mono per pixel
- Spectrally Independent RGB + NIR outputs
- Bi-directional
- Compact camera body
- Sub-pixel spatial correction
- Horizontal Parallax Correction

Programmability

- Multiple Regions of Interest for calibration and data reduction
- 8, 10, or 12 bit output
- Flat field and lens shading correction
- 8 programmable coefficient sets
- GenICam or ASCII compliant interfacing

Typical Applications

- 100% print inspection (pharmaceuticals, bank note)
- Electronics inspection
- Materials grading systems
- Web inspection
- High performance color sorting systems
- Food inspection
- General purpose machine vision

High-speed, multi-spectral camera.

The new Piranha4 quadlinear RGB + NIR / Mono cameras provide industry leading speeds to meet future requirements of higher throughput in multi-spectral imaging applications.

Based on Teledyne DALSA's unique CMOS linescan technology, the Piranha4 multi-spectral camera delivers superb color plus near-infrared (NIR) fidelity, spectrally independent outputs, all in a compact footprint and with an easy to use interface. New features include multiple regions of interest for data reduction and regional calibration, sub-pixel spatial correction, white balance and color calibration tools.

Specifications

Resolution	2048 x 4 pixels
Line Rate	Up to 70 kHz
Pixel Size	14.08 μm x 14.08 μm
Data Format	8, 10, or 12 bits, selectable
Output	Base, Medium, Full and Deca Camera Link
Lens Mount	M42 x 1 F-mount adapter available
Responsivity	See graph
Dynamic Range	> 60 dB
Nominal Gain Range	1x to 10x
Size	62 mm x 62 mm x 48 mm
Mass	< 340 g
Operating Temp	0 °C to 65 °C (front plate)
Power	Hirose 6-pin, +12 V to +24 V DC
Power Dissipation	8 W
Control & Data	SDR-26 mini Camera Link
Regulatory Compliance	CE, FCC, and RoHS

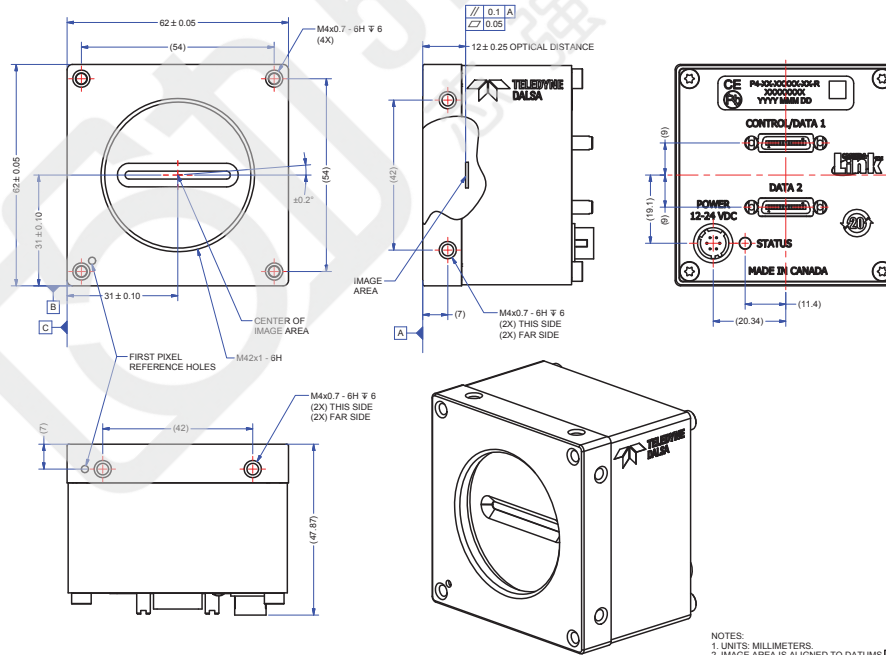
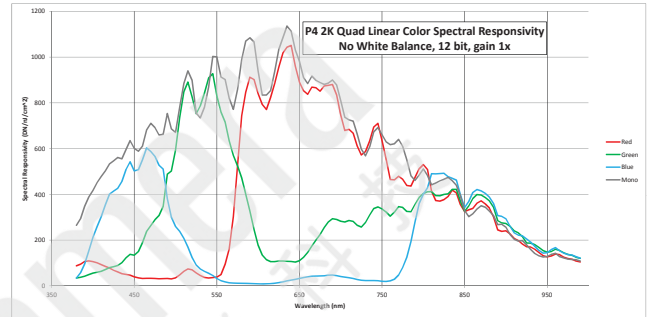
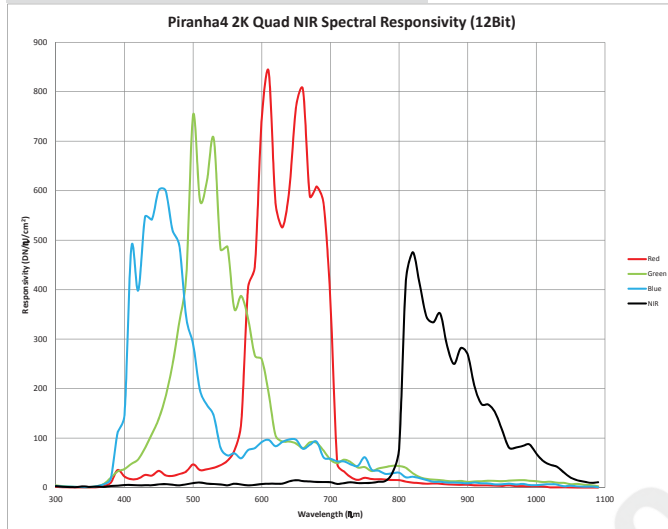
Piranha4 Quadlinear Model Comparison

Part Number	Resolution	Max Line Rates	Pixel Size	Output
P4-CC-02K07Q-00-R	2048 x 4 pixels	70 kHz	14.08 μm x 14.08 μm	RGB + Mono
P4-CC-02K07N-01-R	2048 x 4 pixels	70 kHz	14.08 μm x 14.08 μm	RGB + NIR



Piranha4 2K RGB + NIR / Mono

High Speed Multi-Spectral Camera



NOTES:
 1. UNITS: MILLIMETERS
 2. IMAGE AREA IS ALIGNED TO DATUMS A, B & C

www.teledynedalsa.com

Americas

Boston, USA
 +1 978-670-2000
 sales.americas@teledynedalsa.com

Europe

Krailling, Germany
 +49 89-89-54-57-3-80
 sales.europe@teledynedalsa.com

Asia Pacific

Tokyo, Japan
 +81 3-5960-6353
 sales.asia@teledynedalsa.com

Shanghai, China
 +86 21-3368-0027
 sales.asia@teledynedalsa.com

Teledyne DALSA has its corporate offices in Waterloo, Canada
 Teledyne DALSA reserves the right to make changes at any time without notice. Teledyne DALSA © 2015.
 Revision number 03-070-20079-00. Revision date September 14, 2015.

