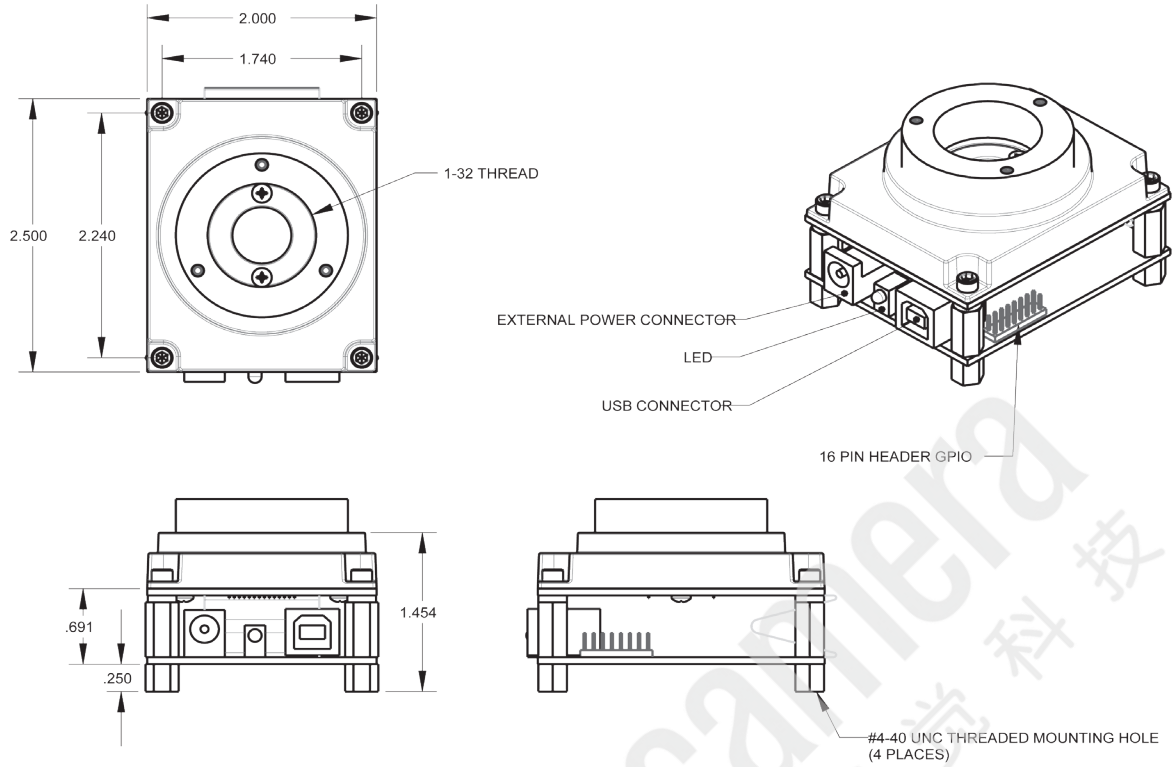


Board Level Mechanical Drawings



Enclosed Mechanical Drawings

