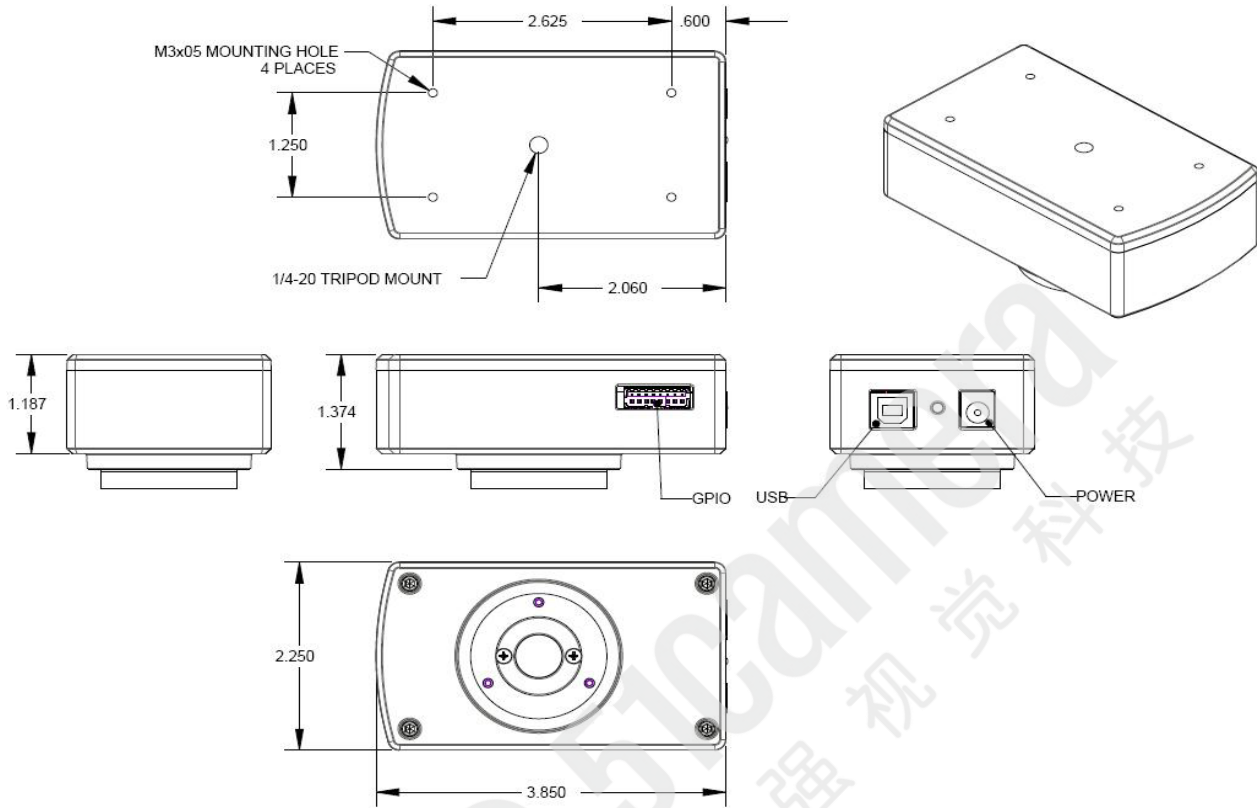


Enclosed Mechanical Drawings



Board Level Mechanical Drawings

