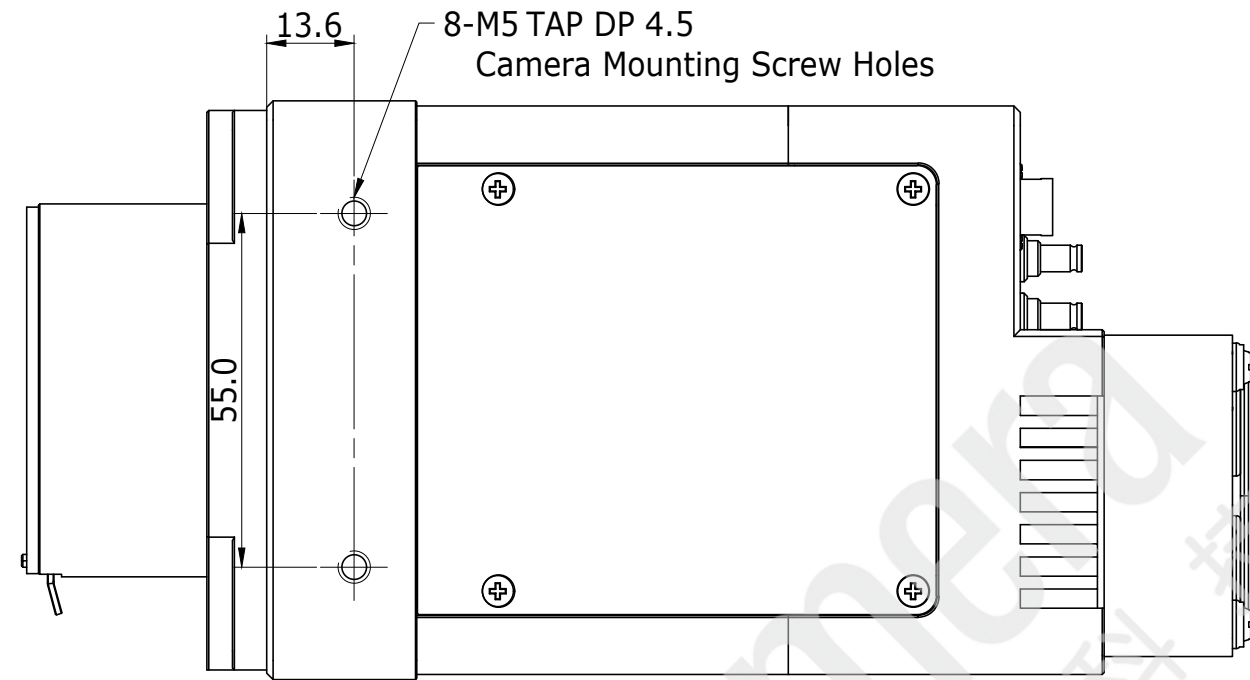
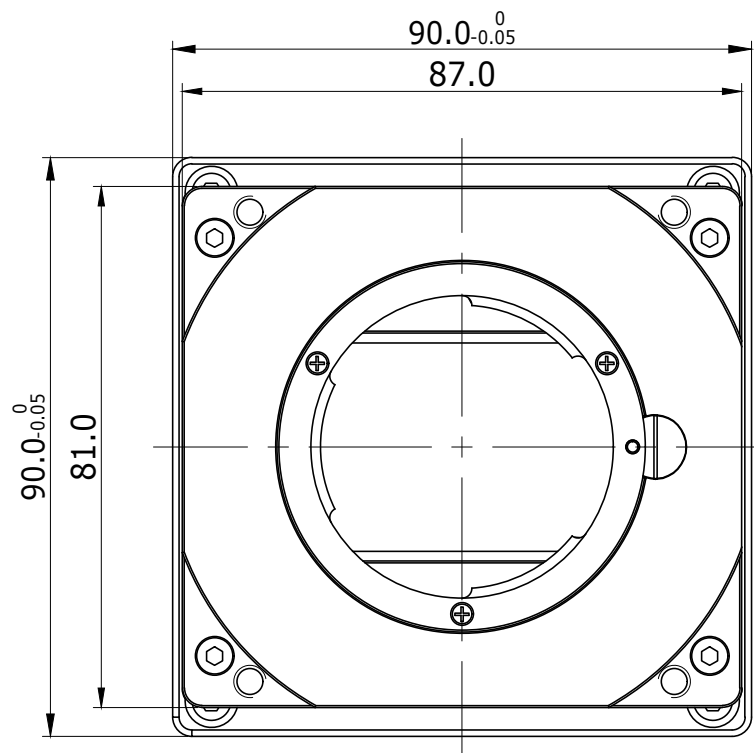
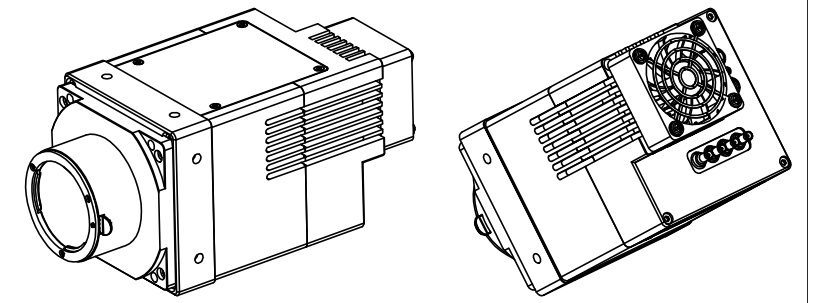


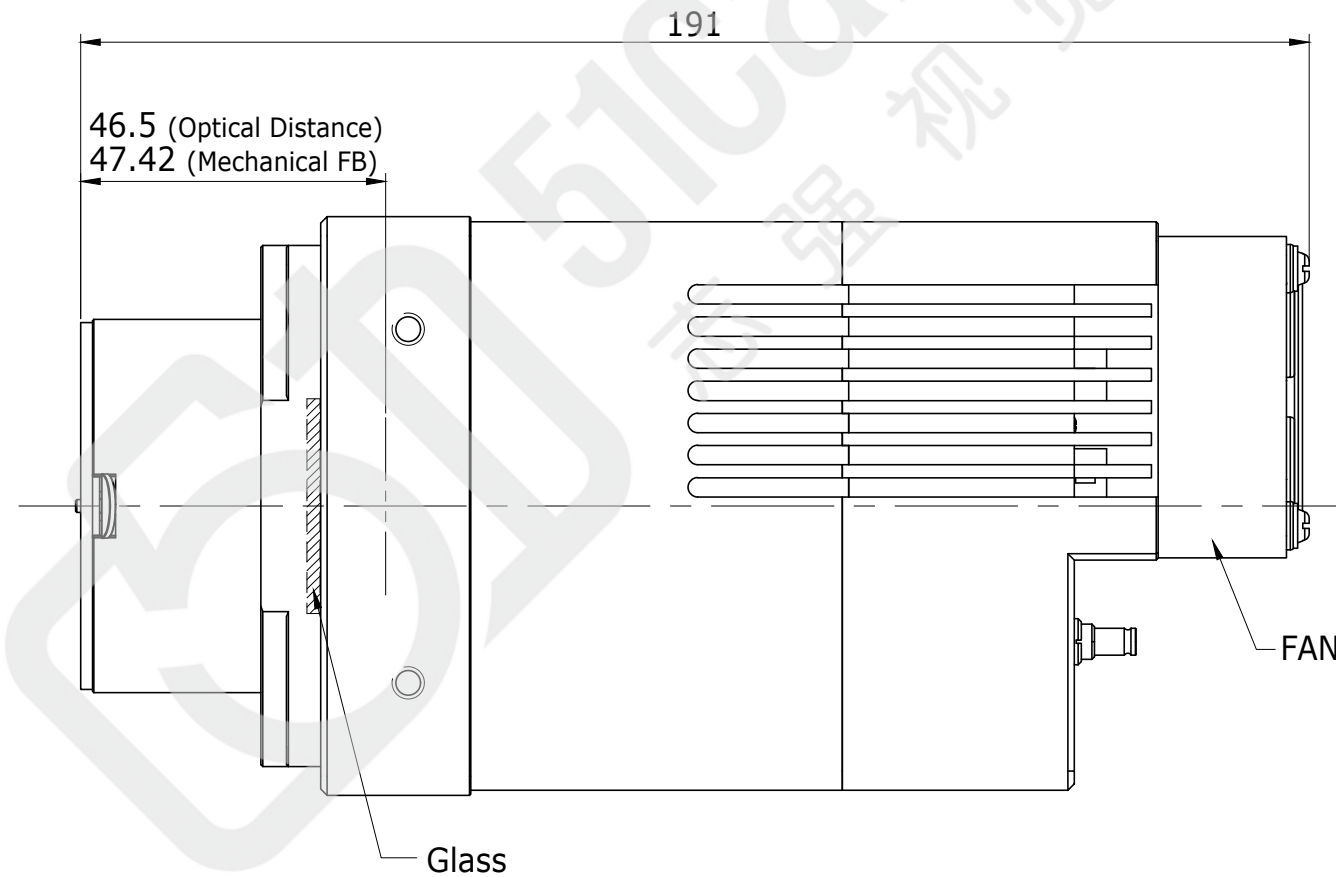
UNIT	ITEM	REVISION	1.0
mm	VNP-200MX-FM-V1.0		'18.03.14



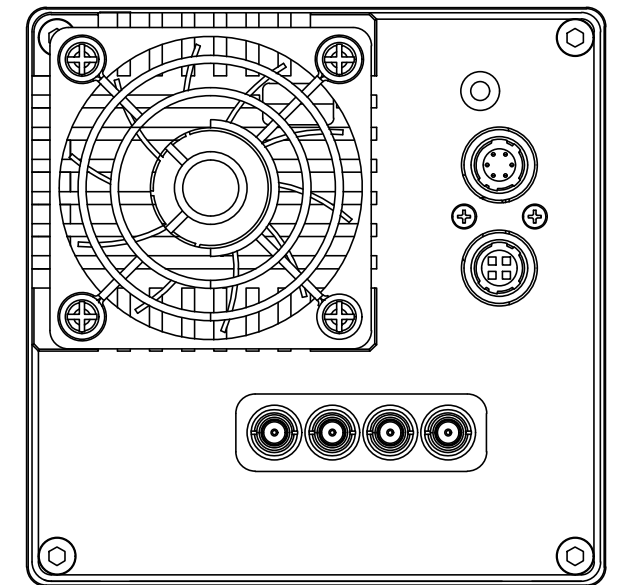
<Top View>



<Front View>



<Side View>



<Back View>

<b>MODEL NAME</b>	
Lens Mount: F-mount	
1	VNP-200MX-M/C