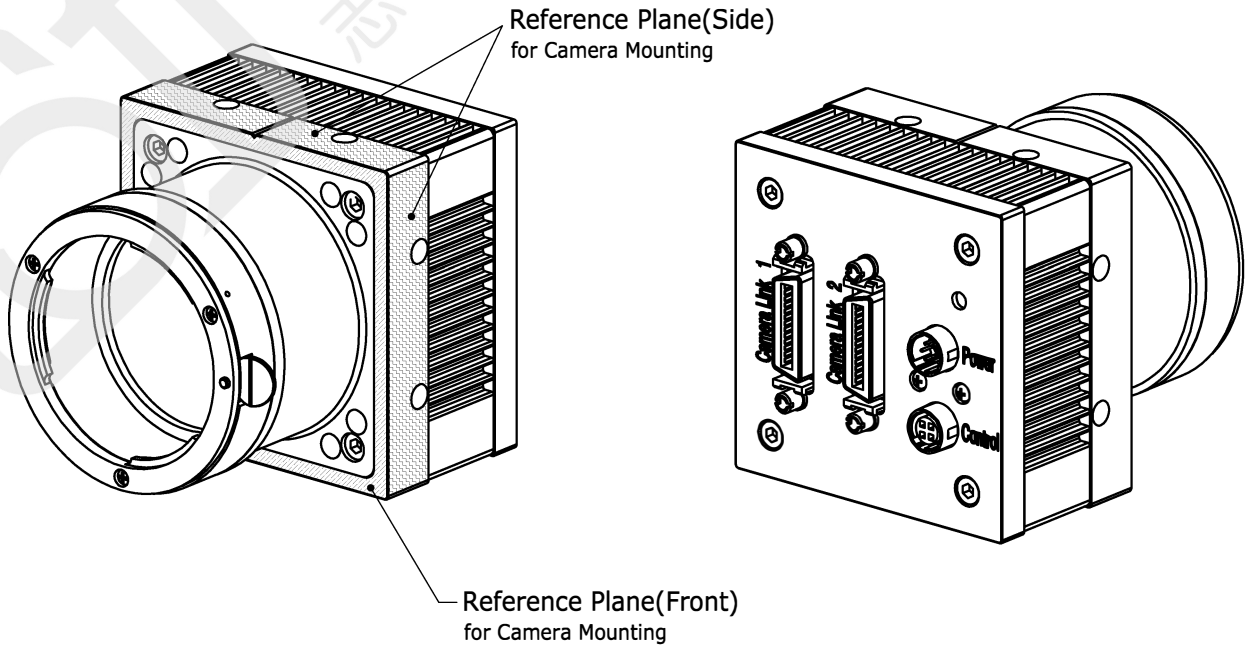
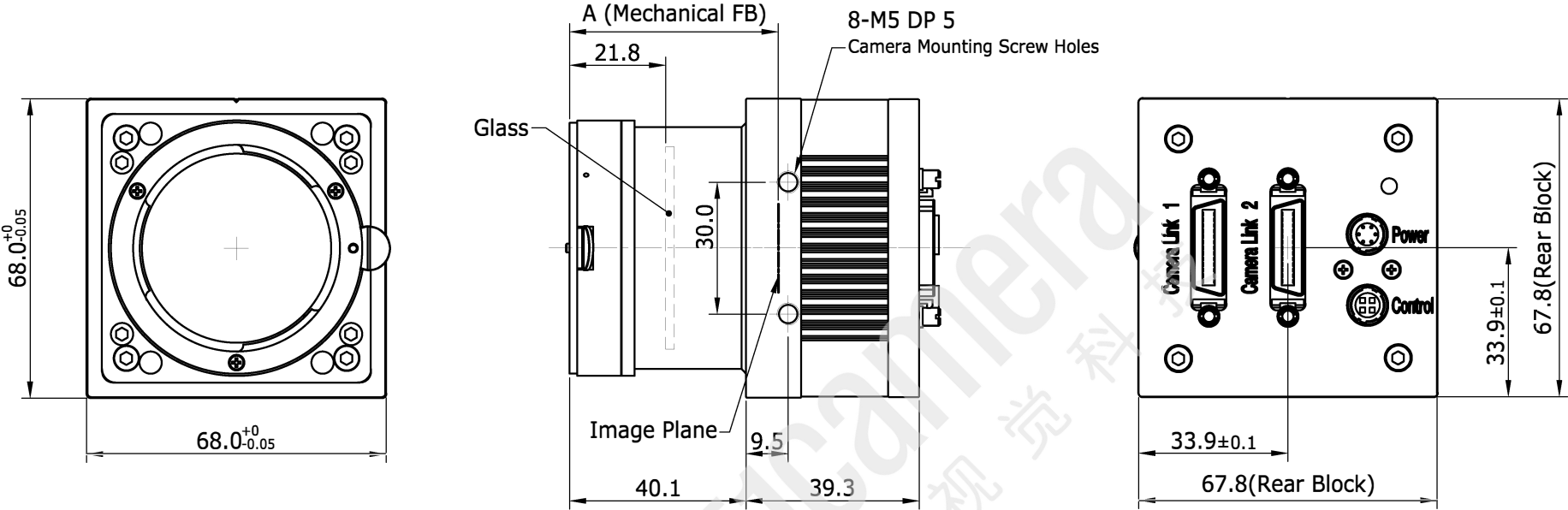
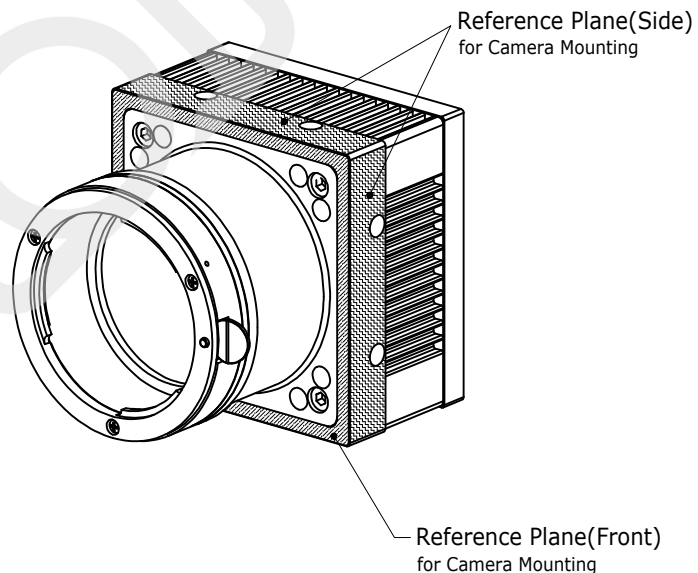
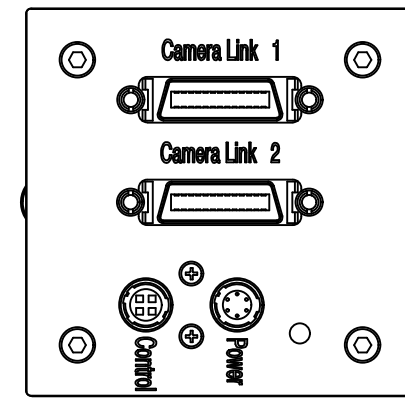
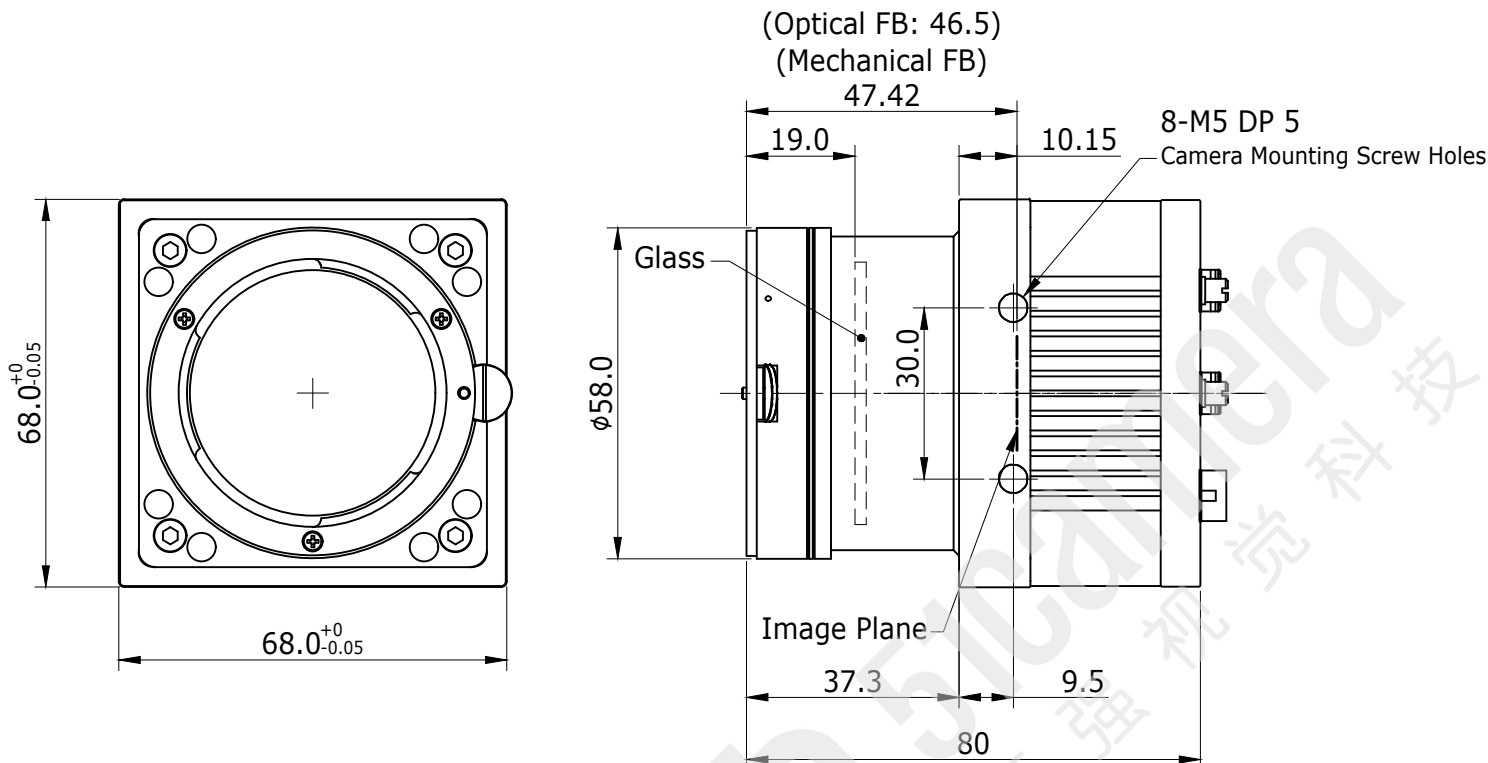


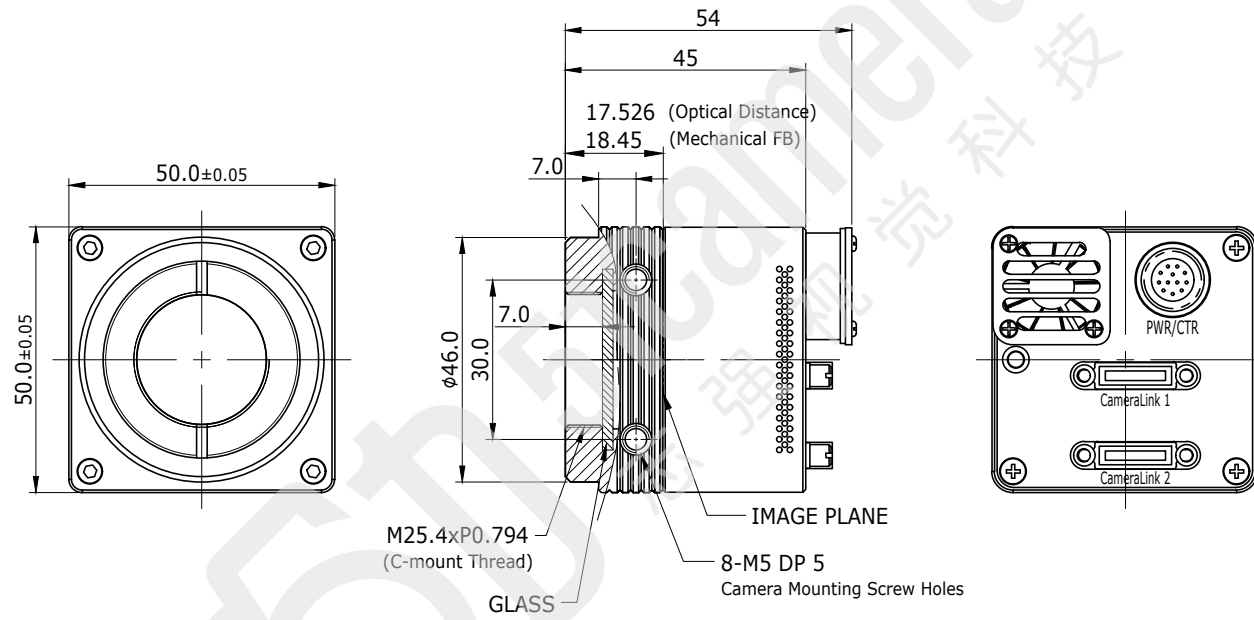
MODEL NAME		
Lens Mount: C-mount		A
1	VC-2MC-M/C	18.36
2	VC-3MC-M/C	18.52
3	VC-4MC-M/C	18.36



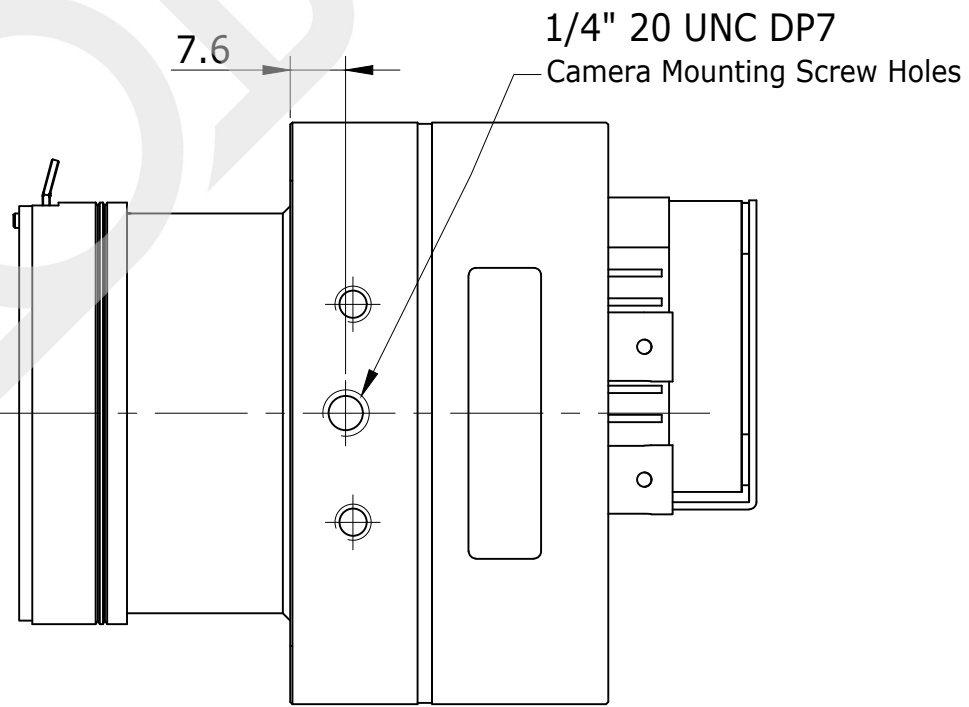
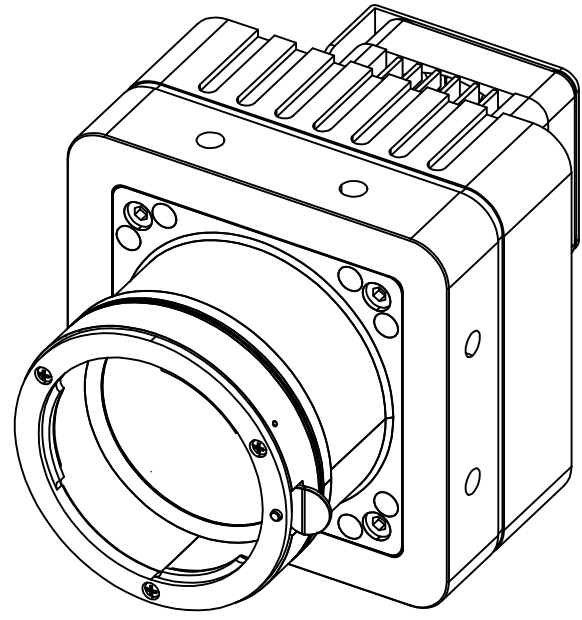
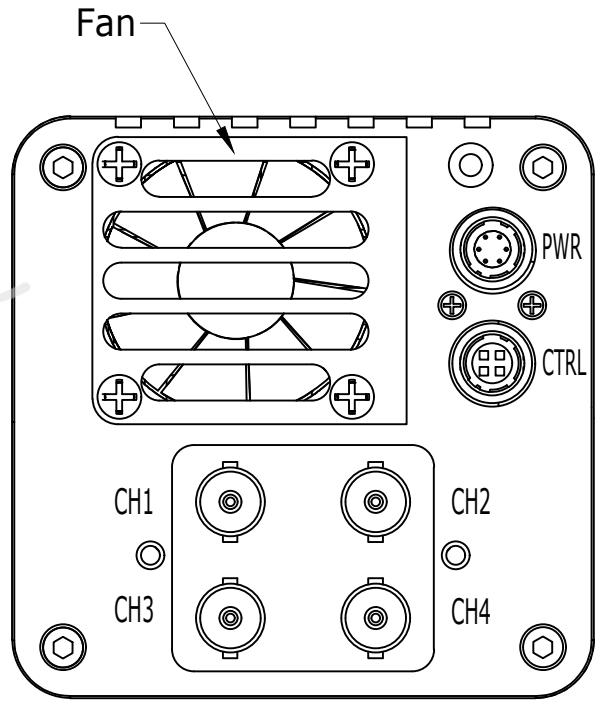
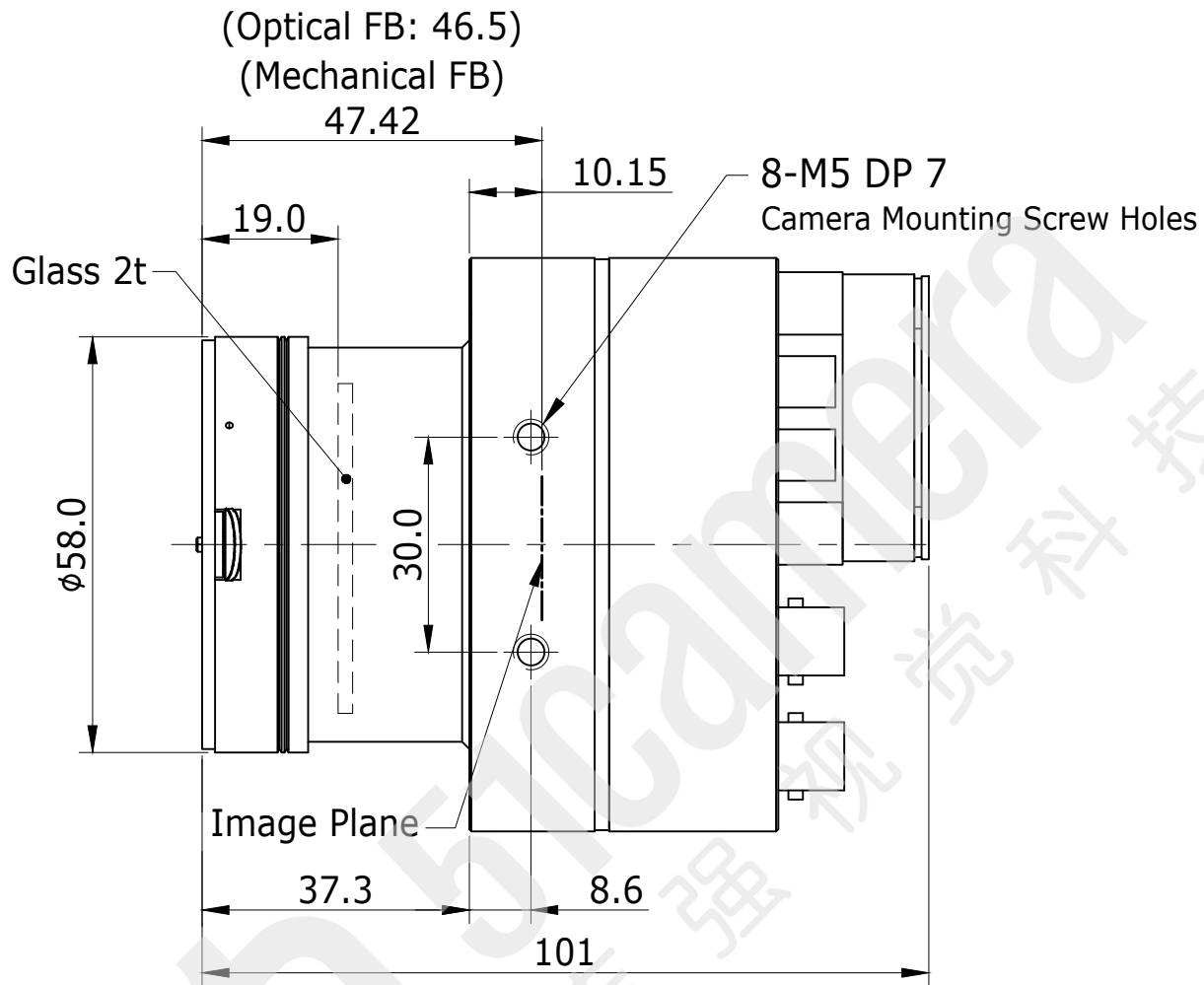
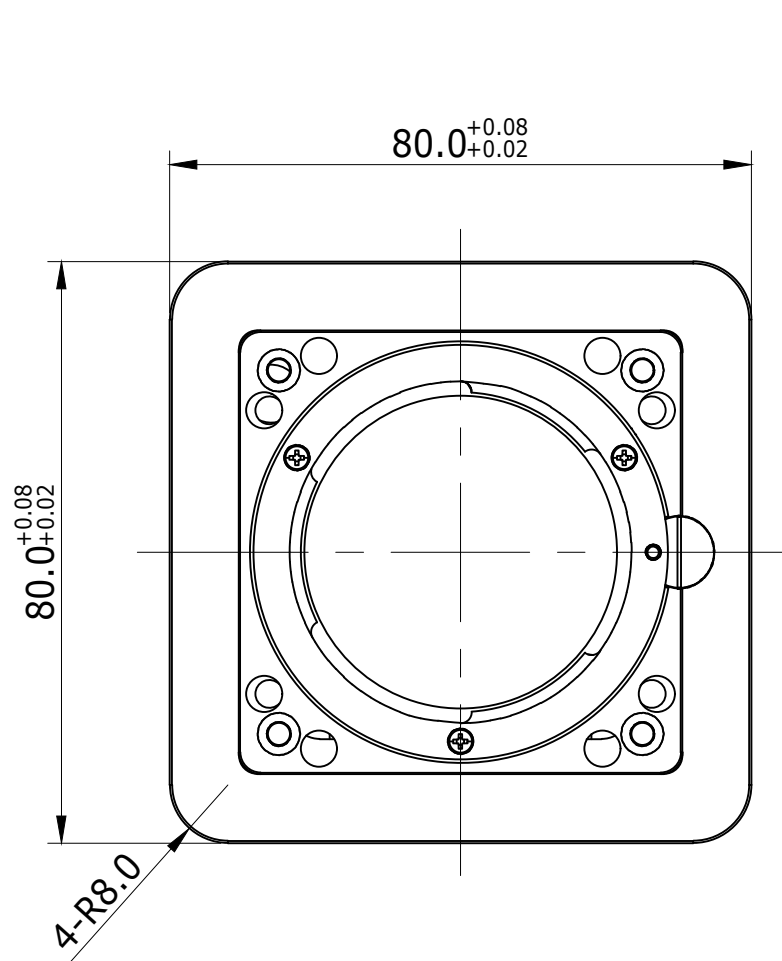
<b>MODEL NAME</b>		
<b>Lens Mount: F-mount</b>		<b>A</b>
1	VC-2MC-M/C	47.35
2	VC-3MC-M/C	47.51
3	VC-4MC-M/C	47.35



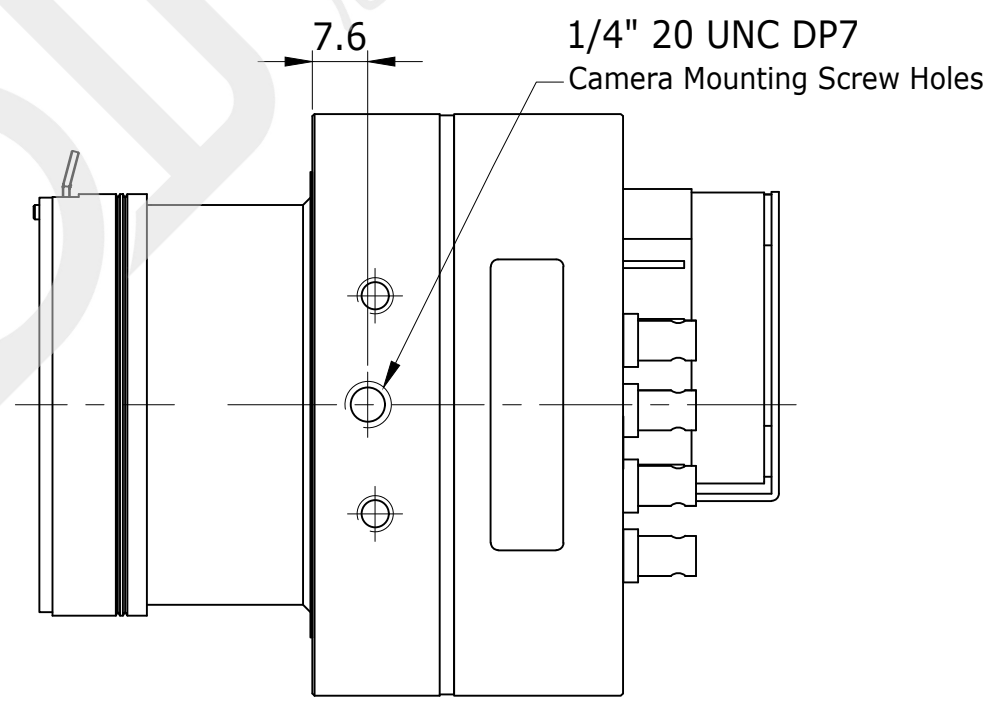
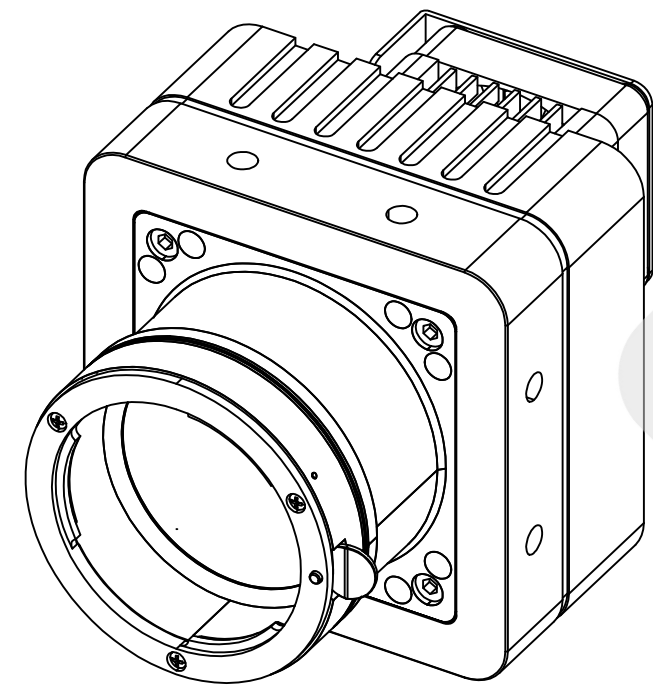
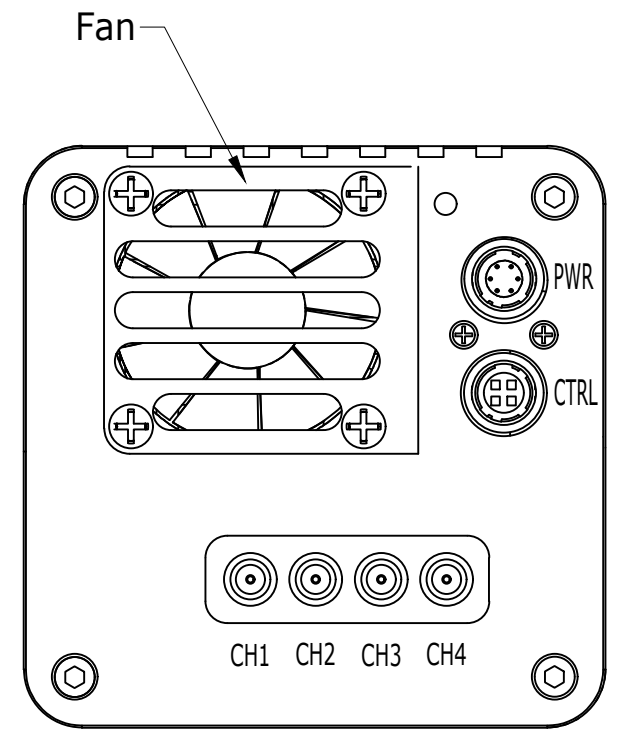
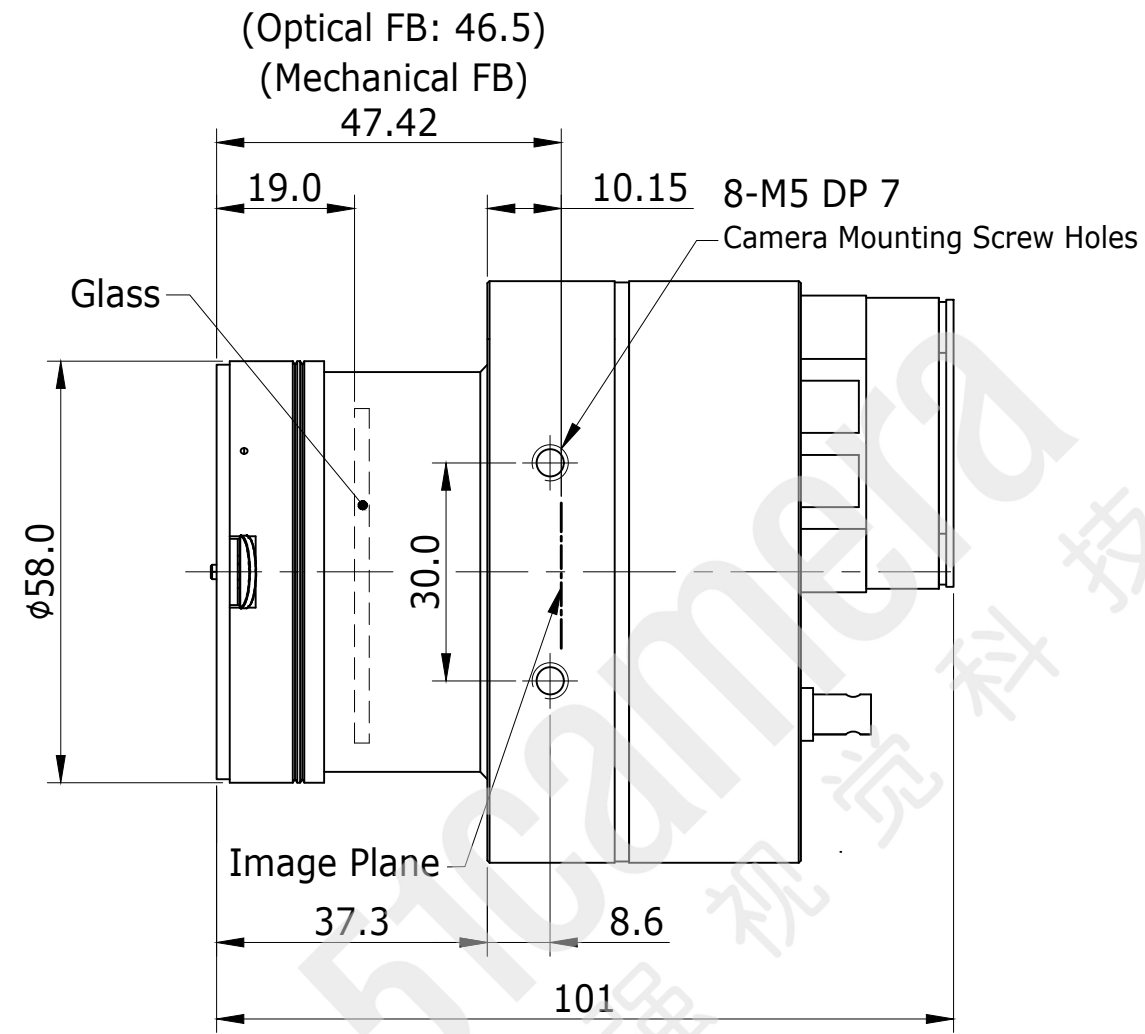
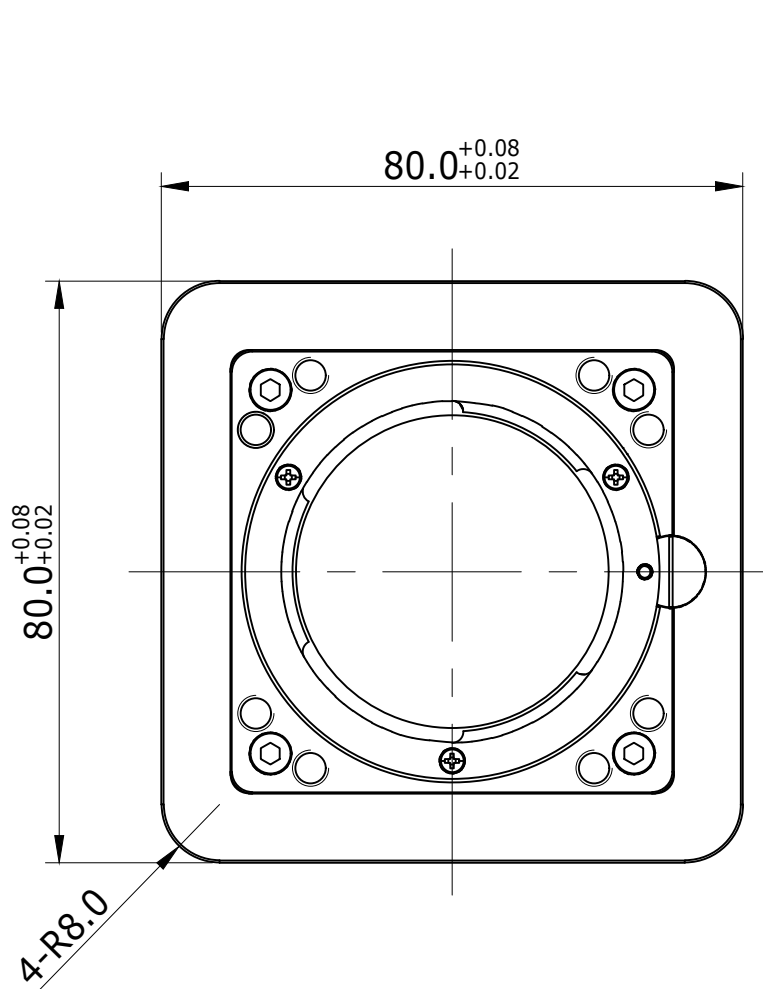
MODEL NAME	
Lens Mount: F-mount	
1	VC-12MC-M/C 65
2	VC-25MC-M/C 30



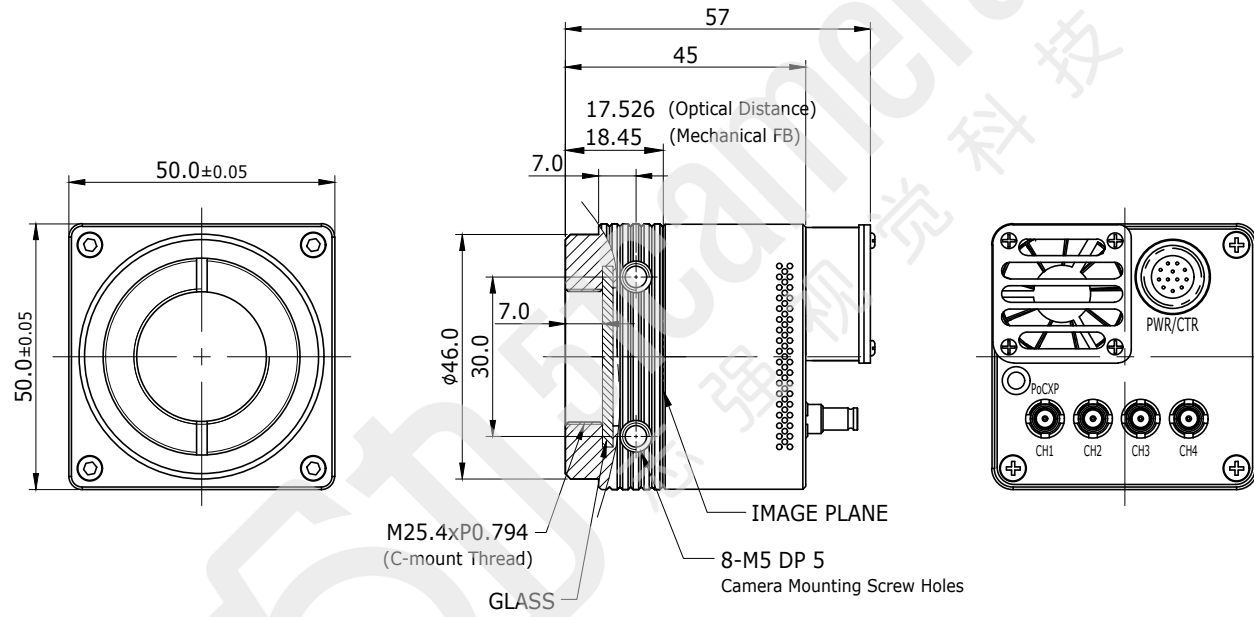
<b>MODEL NAME</b>	
Lens Mount: C-mount	
1	VC-25MC-GP-M/C



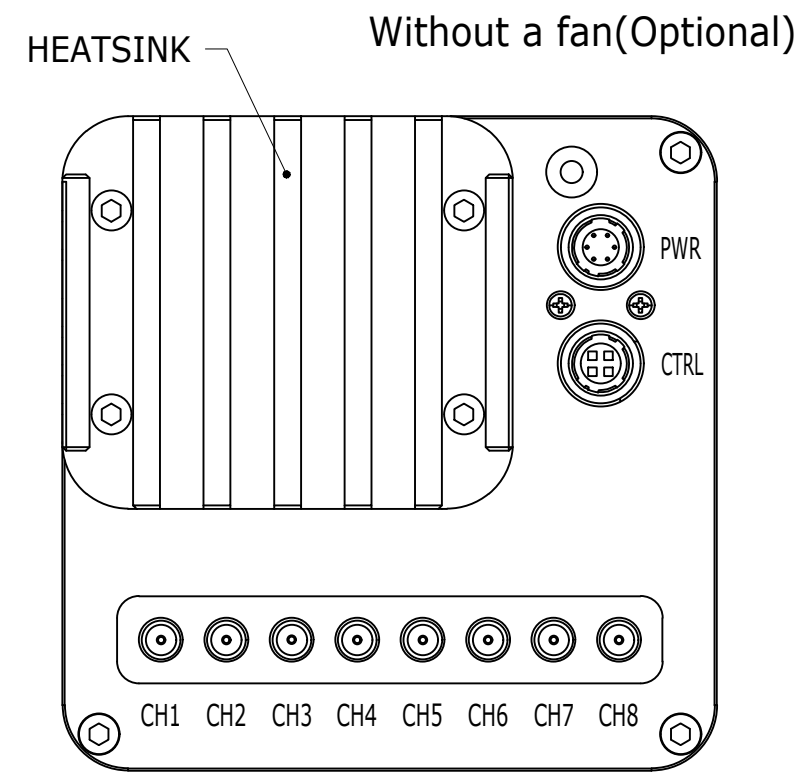
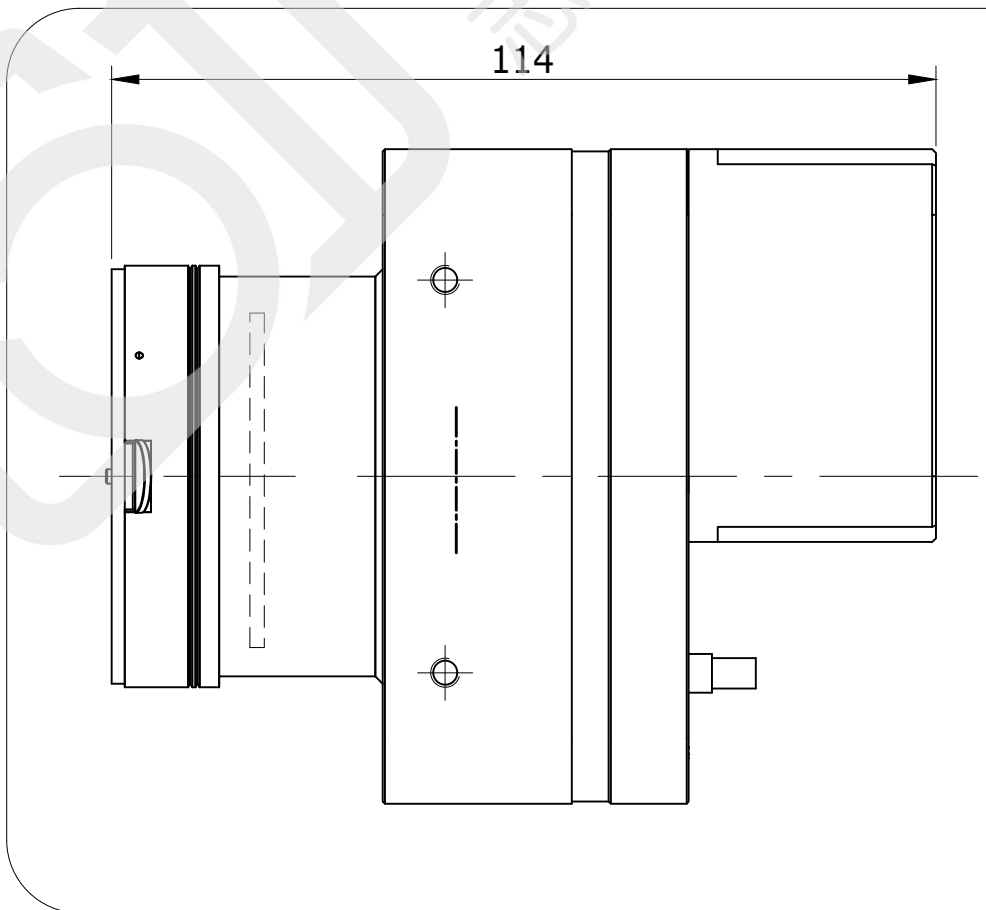
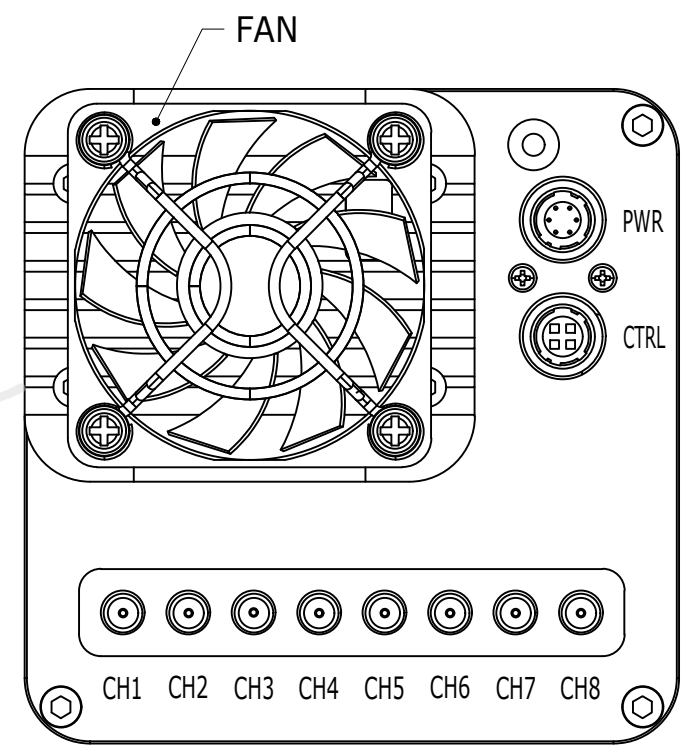
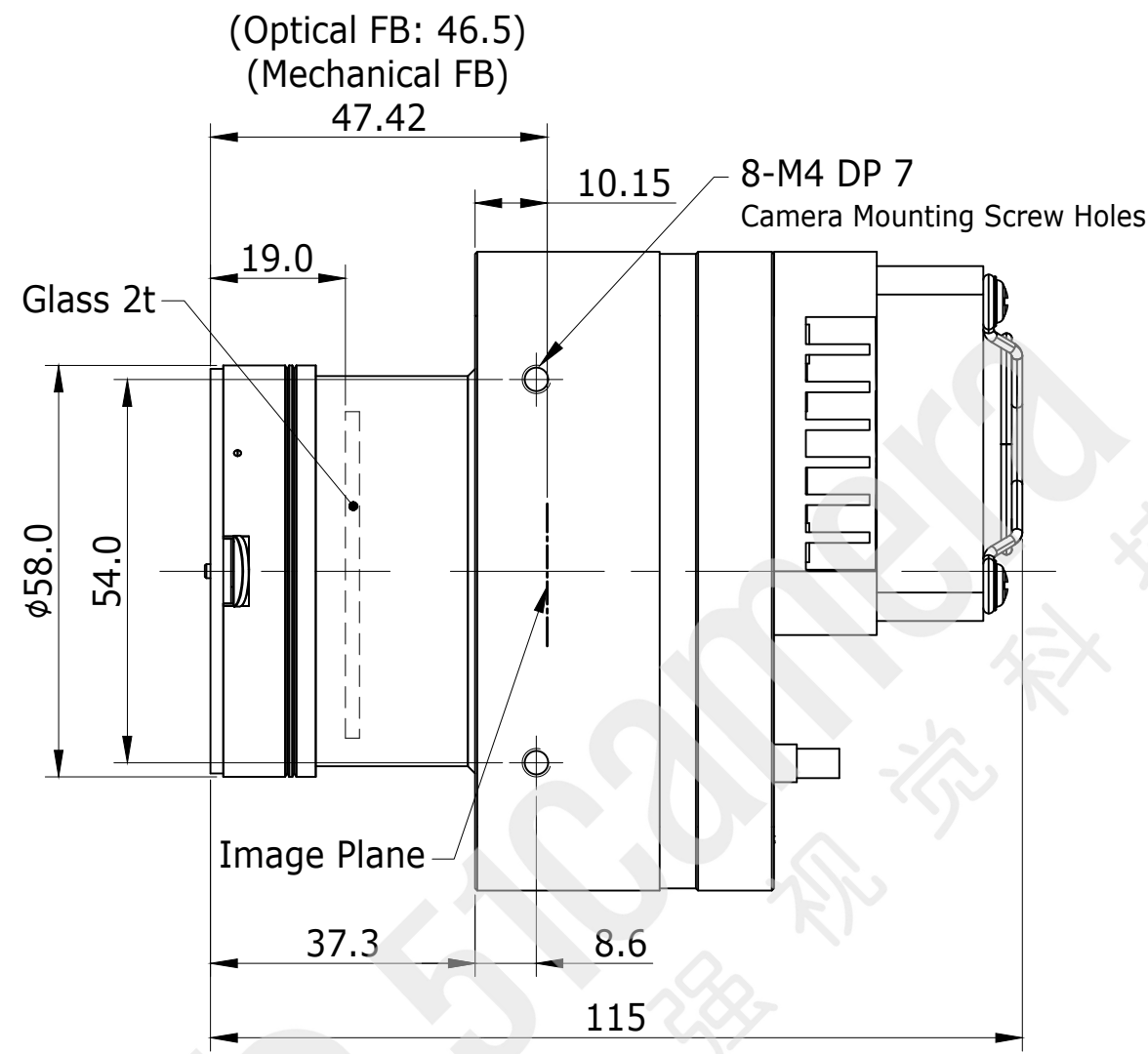
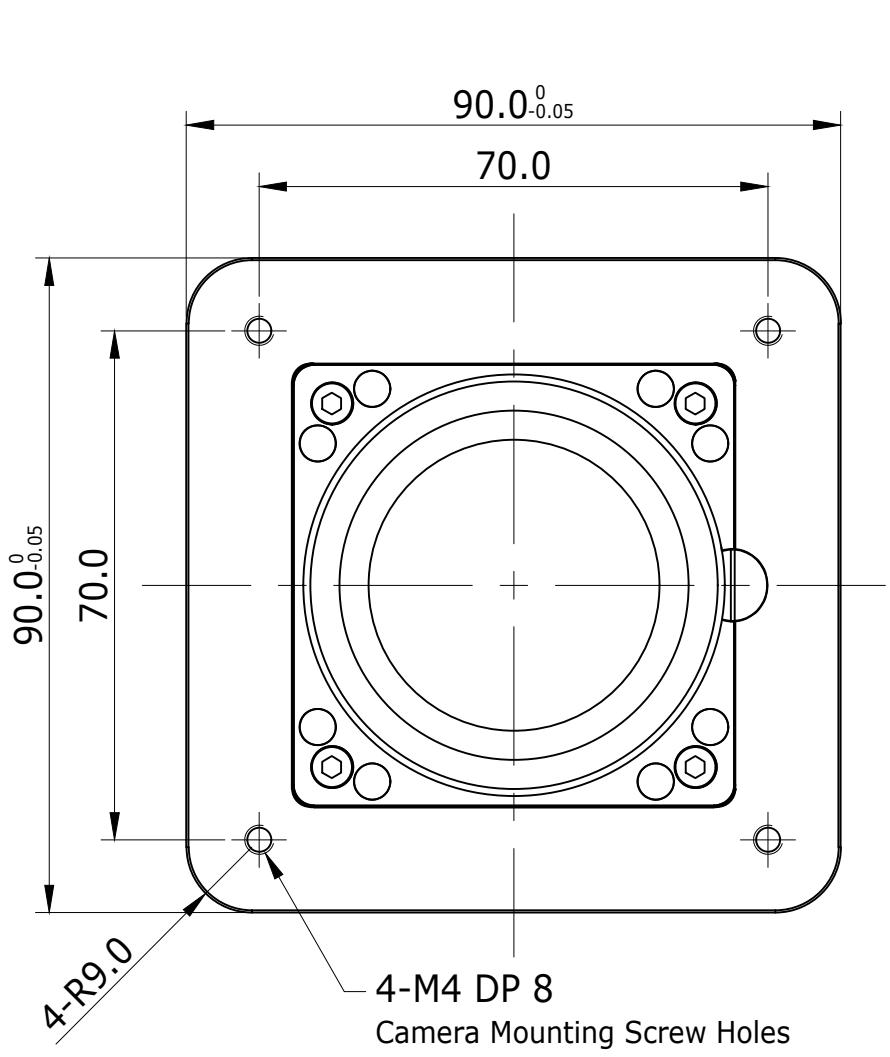
MODEL NAME	
Lens Mount: F-mount	
1	VC-12MX-M/C 180
2	VC-25MX-M/C 72
3	VC-25MX-M/C 81



MODEL NAME	
Lens Mount: F-mount	
1	VC-12MX-M/C 180
2	VC-25MX-M/C 72
3	VC-25MX-M/C 81

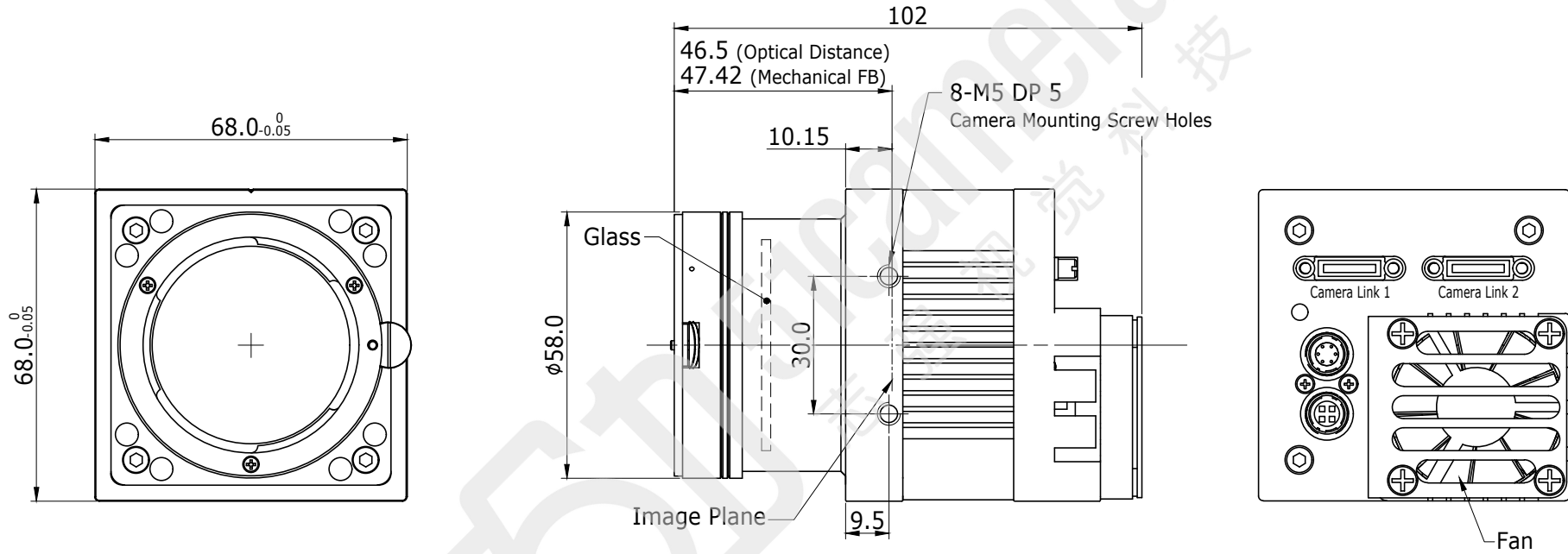


<b>MODEL NAME</b>	
Lens Mount: C-mount	
1	VC-25MX-GP-M/C



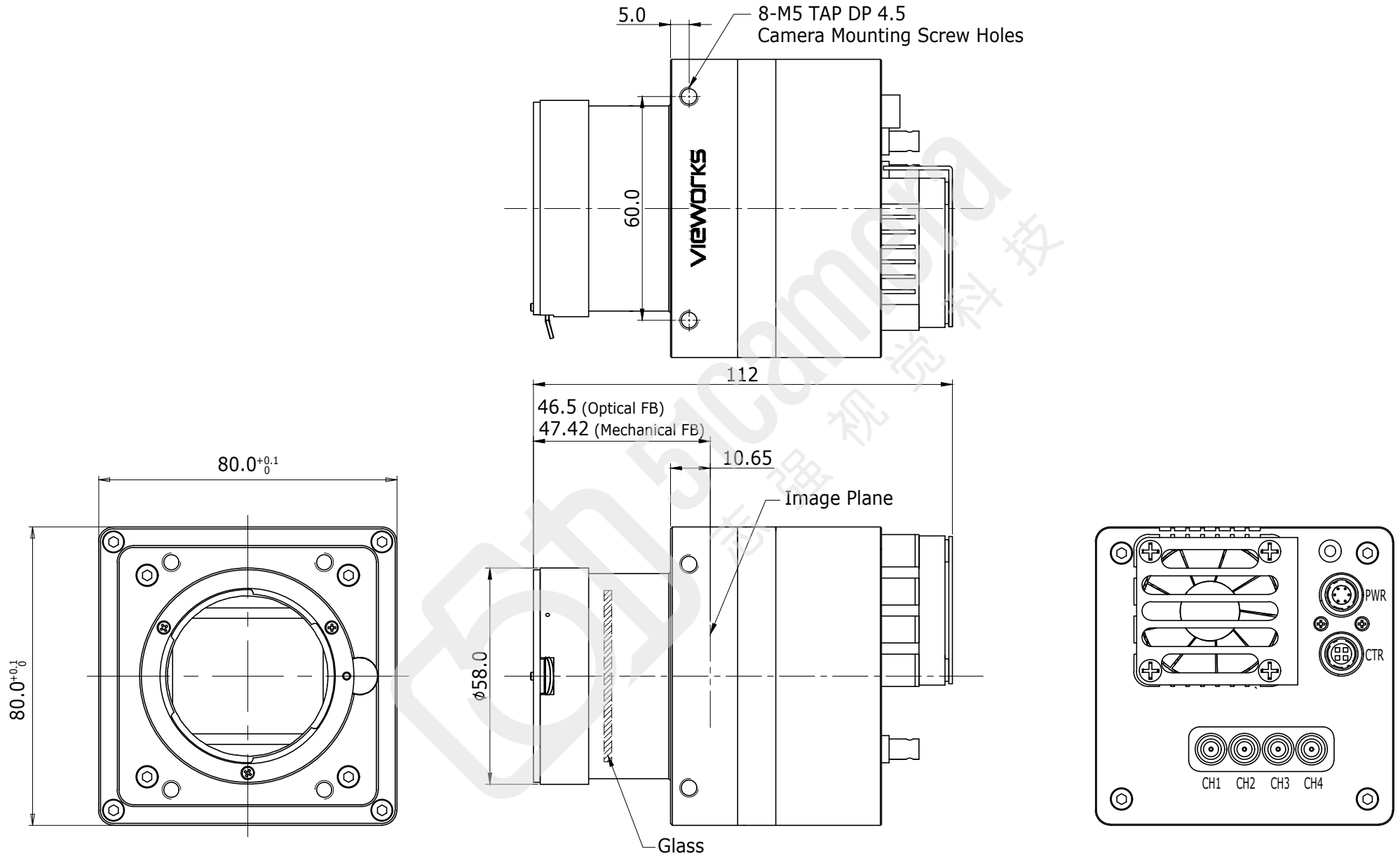
<b>MODEL NAME</b>	
<b>Lens Mount: F-mount</b>	
1	VC-12MX-M/C 330





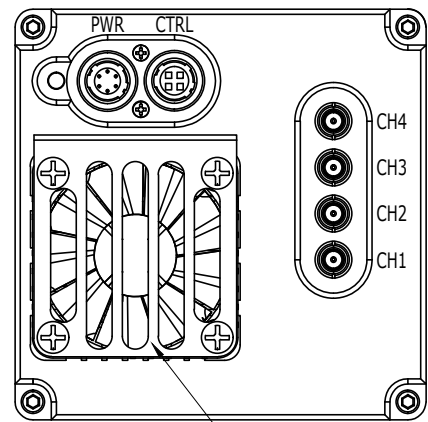
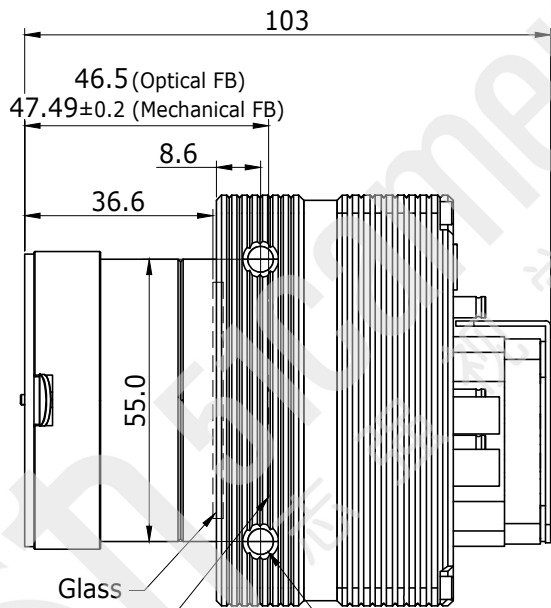
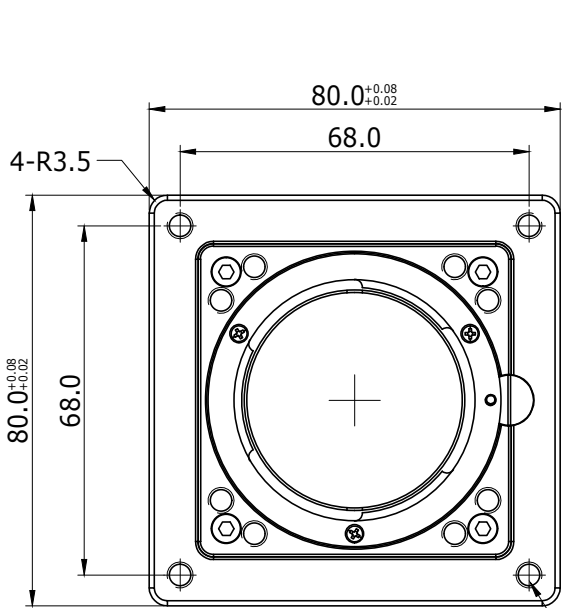
<b>MODEL NAME</b>	
Lens Mount: F-mount	
1	VC-50MC-M/C

UNIT	ITEM	REVISION	1.0
mm	VC-50MX-DIN-FM-V1.0		'18.03.22



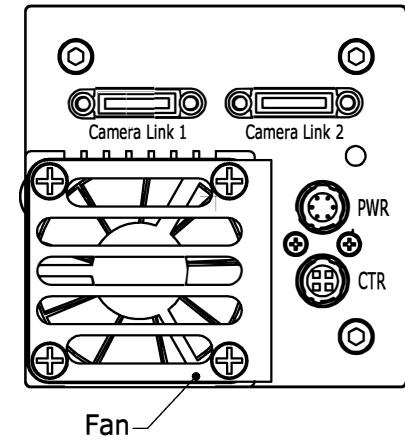
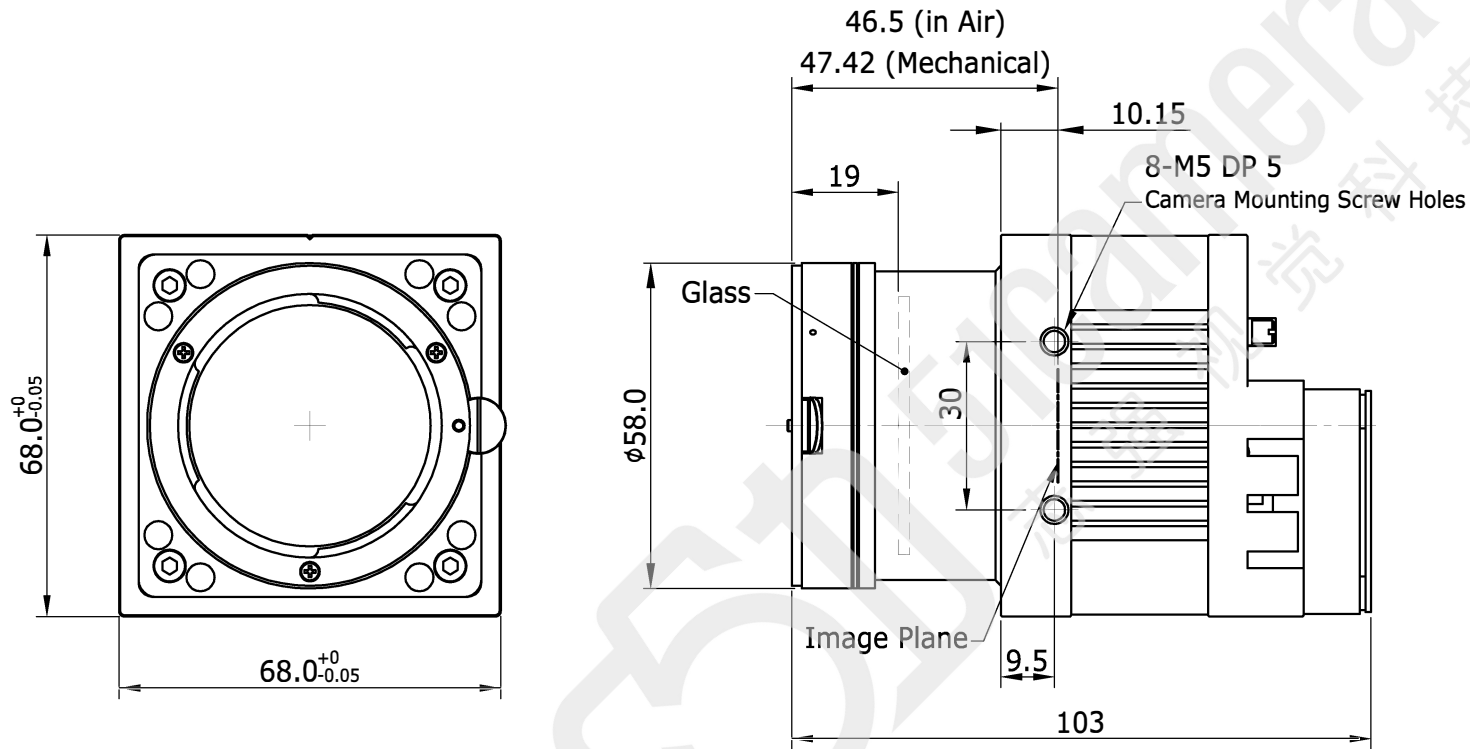
**Lens Mount: F-mount**

1 VC-50MX-M/C

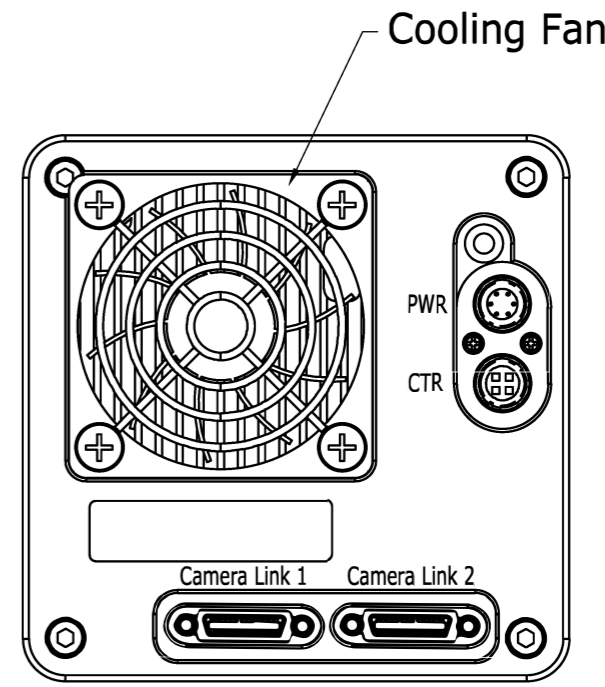
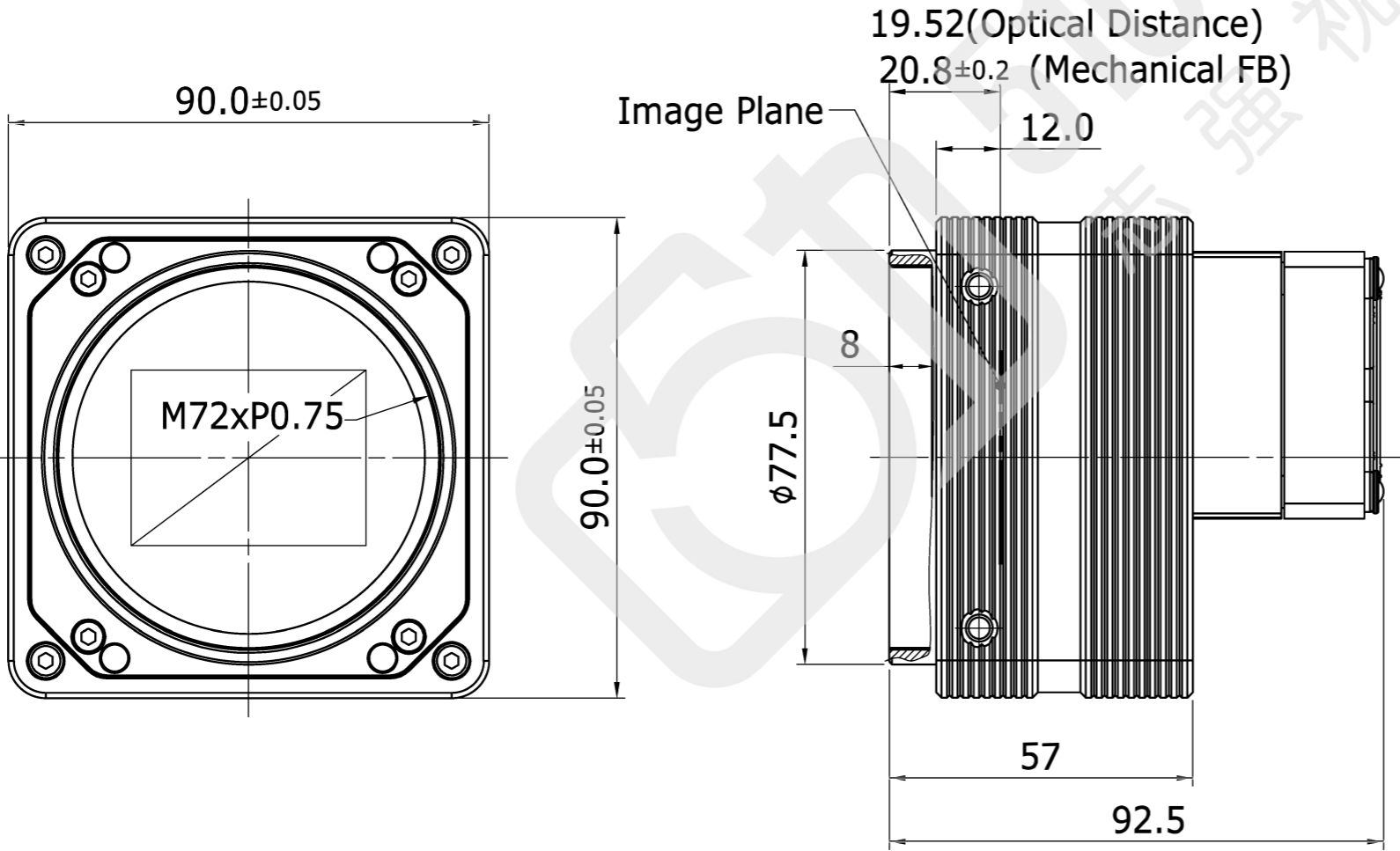
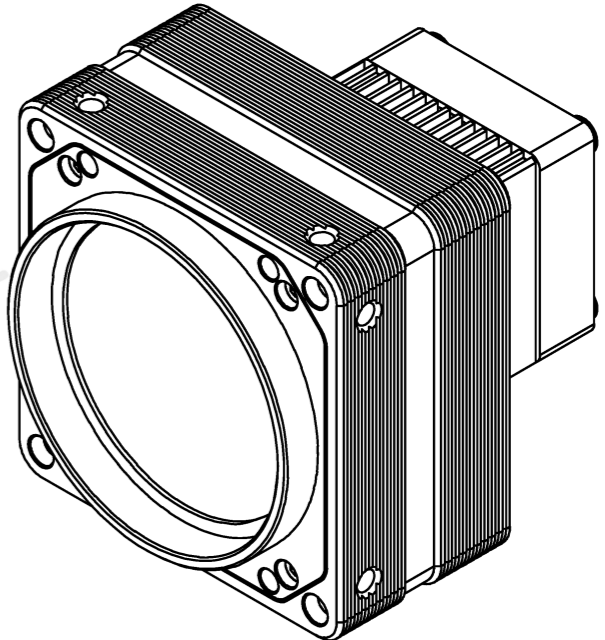
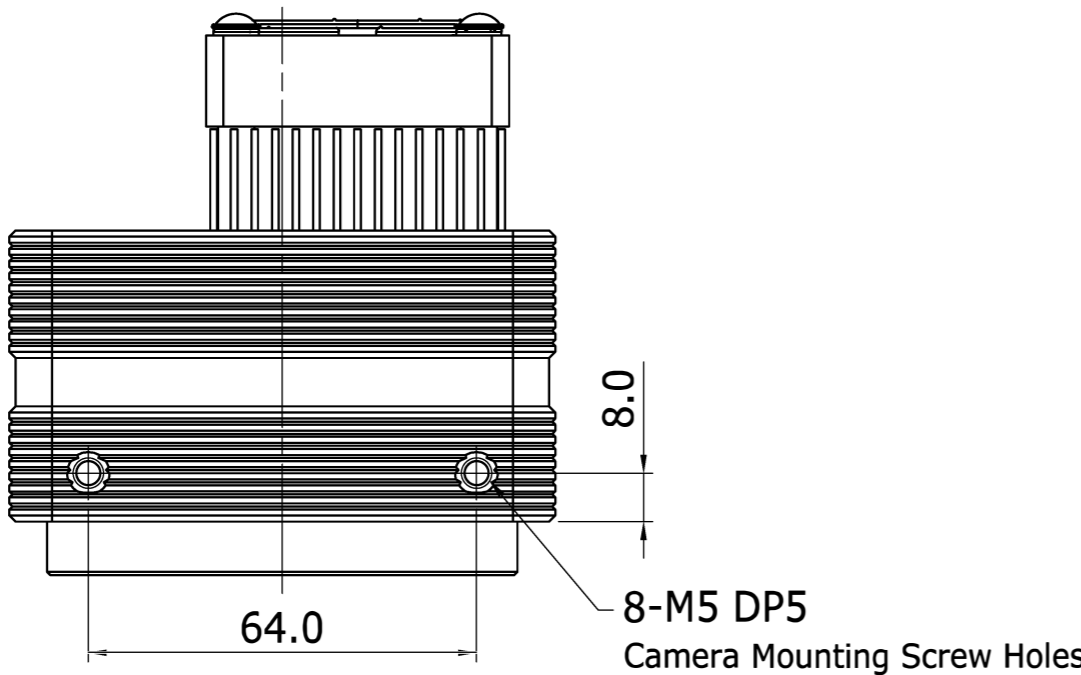


8-M5 DP 7  
Camera Mounting Screw Holes

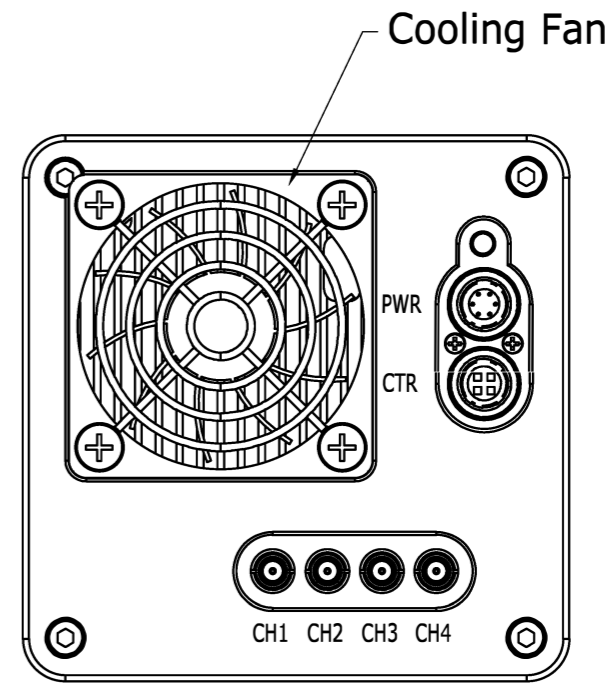
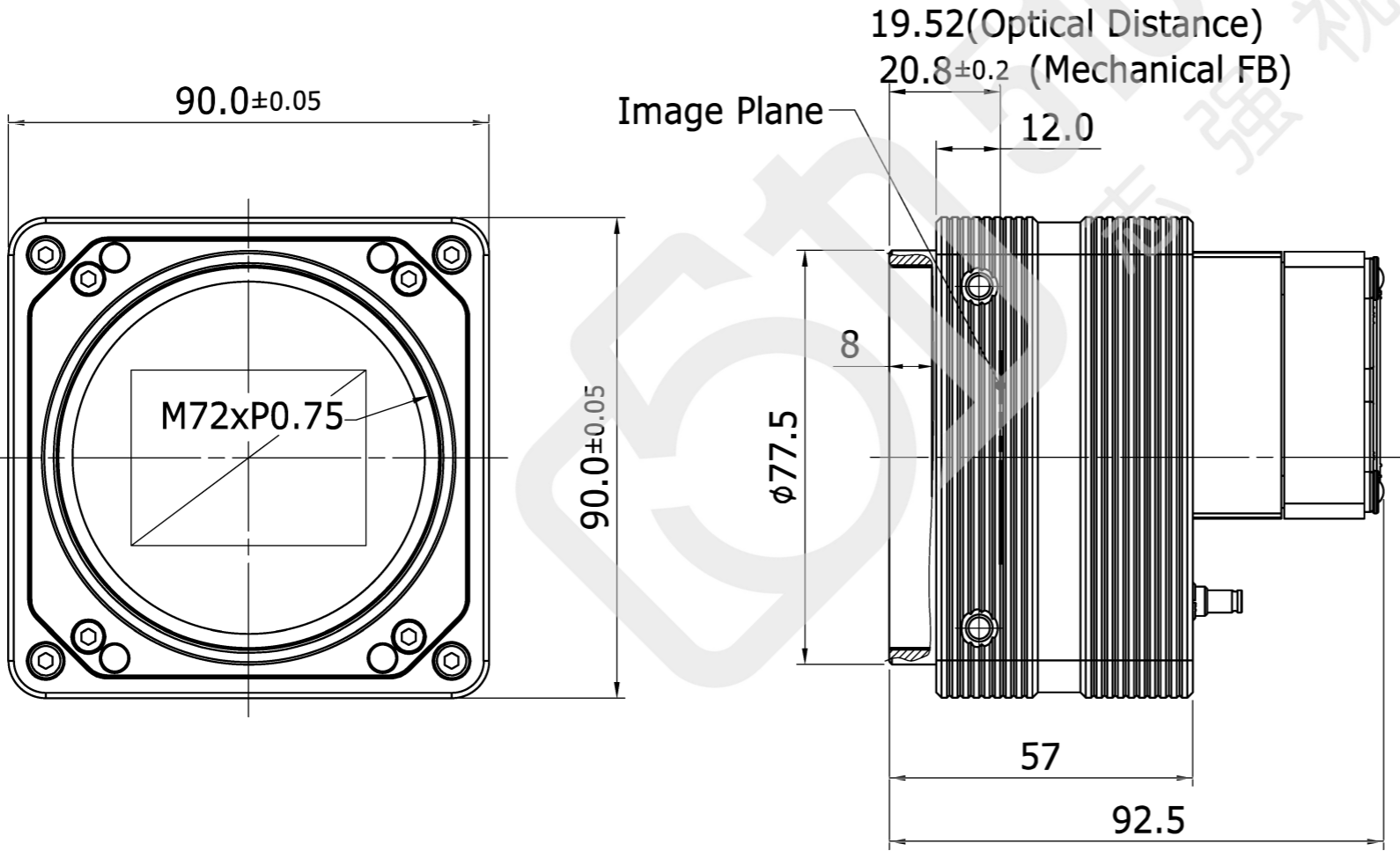
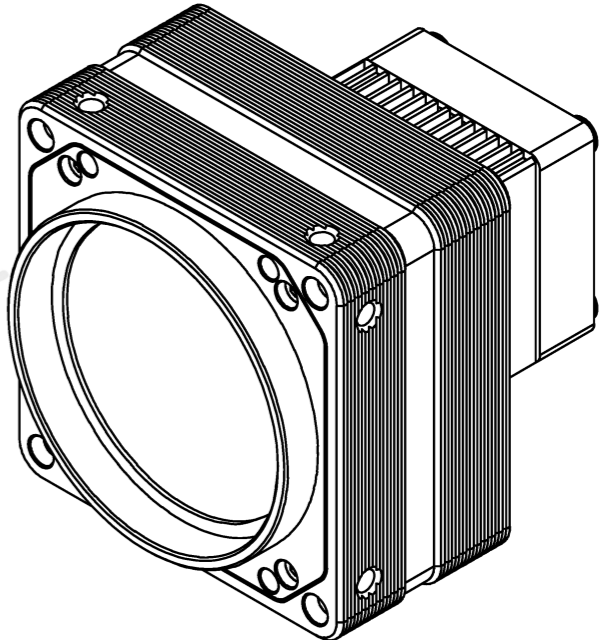
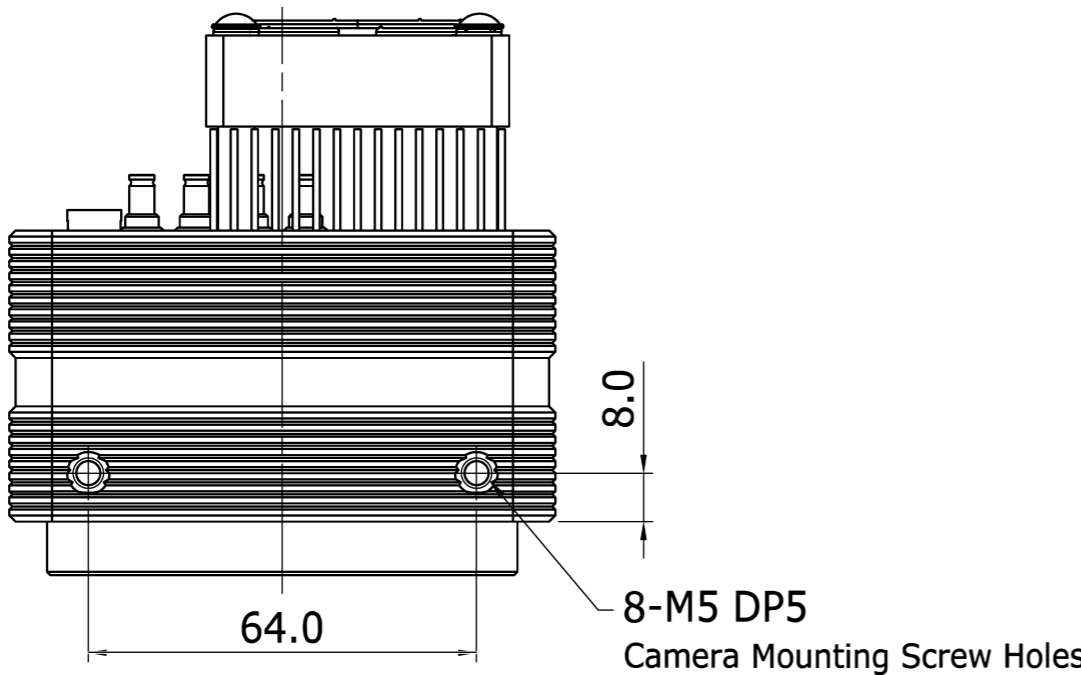
<b>MODEL NAME</b>	
<b>Lens Mount: F-mount</b>	
1	VC-65MX-M/C



<b>MODEL NAME</b>	
Lens Mount: F-mount	
1	VC-71MC-M/C

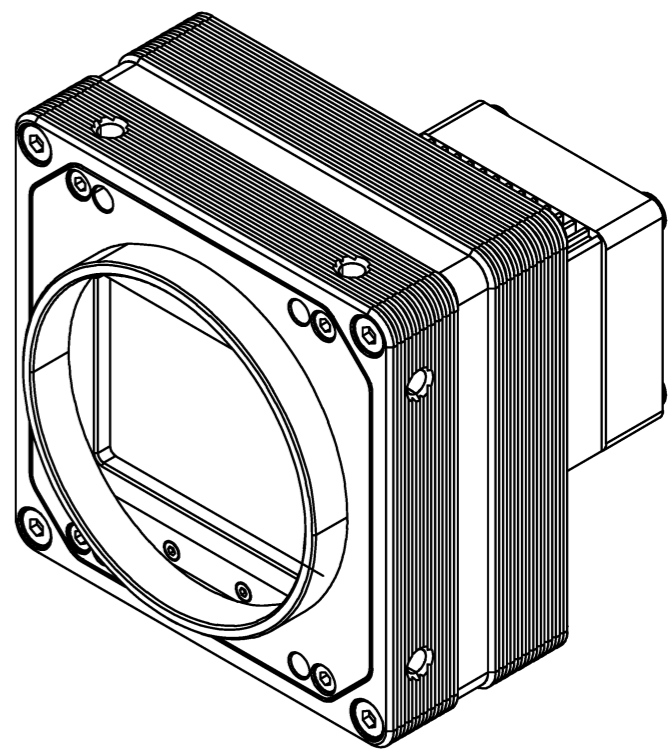
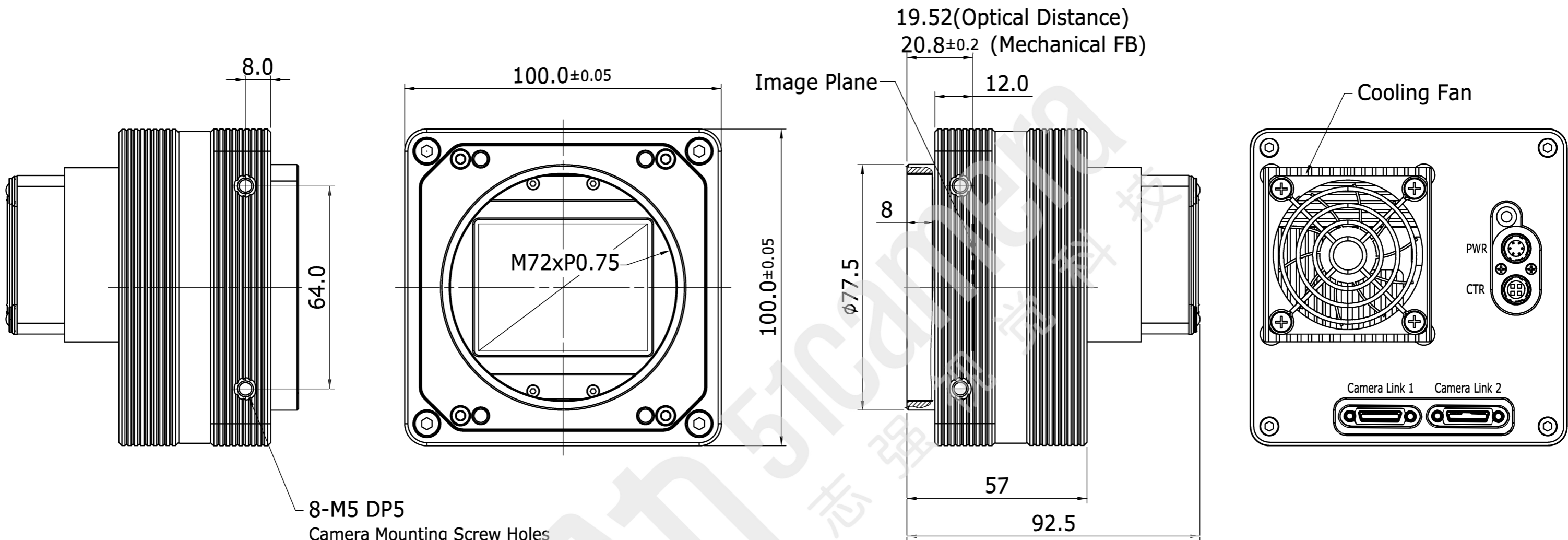


<b>MODEL NAME</b>	
Lens Mount: M72-14N-B	
1	VC-101MC-M/C9

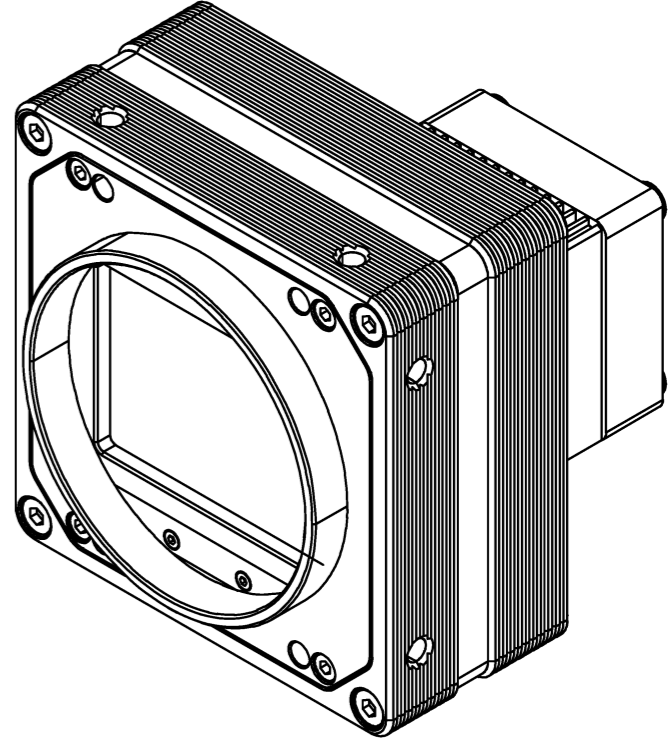
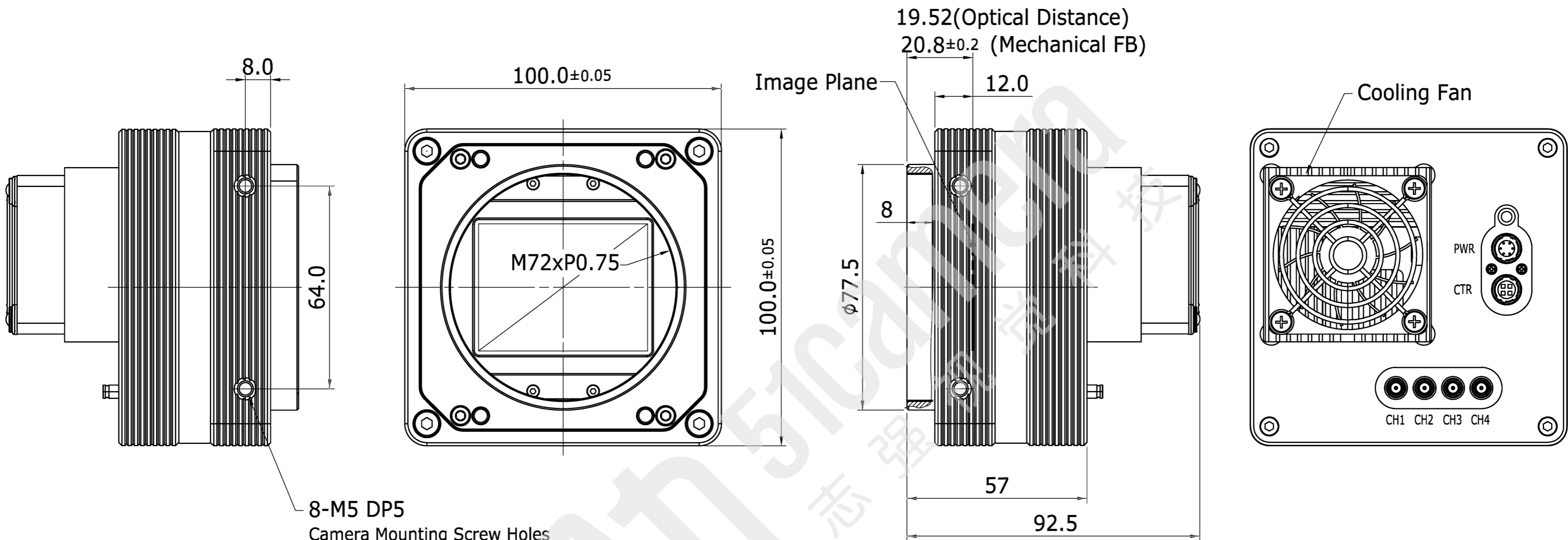


<b>MODEL NAME</b>	
Lens Mount: M72-14N-B	
1	VC-101MX-M/C9

UNIT	ITEM	REVISION	1.0
mm	VC-151M-CL-M72-14N-A		'19.02.01



<b>MODEL NAME</b>	
Lens Mount: <b>M72-14N-A</b>	
1	VC-151MC-M/C6



<b>MODEL NAME</b>	
Lens Mount: M72-14N-A	
1	VC-151MX-M/C6