
VC-71MC-M/C 4

71 MEGAPIXELS

ULTRA HIGH RESOLUTION CMOS DIGITAL CAMERA



The VC-71MC, the latest member of the industrial proven VC series, is a new 71 megapixel resolution CMOS camera with Camera Link interface. The VC-71MC uses the latest 71 megapixel CMOS imaging sensor (CHR 70M) technology from CMOSIS, and offers a frame rate of 4 fps at full resolution. Equipped with the Vieworks' innovative technologies proved by world's top FPD manufacturers, the VC-71MC camera offers not only highly uniformed images but also high speed image processing capabilities. Featured with high quality image uniformity and high resolution, this camera is ideal for demanding applications such as FPD, PCB, and semiconductor inspections.

VIEWORKS

VC-71MC-4

71 MEGAPIXELS – ULTRA HIGH RESOLUTION CMOS DIGITAL CAMERA

Main Features

- * 71 Megapixel Resolution
- * Ultra High Resolution CMOS Imaging Sensor
- * Camera Link Medium Interface up to 4.2 fps
- * Rolling Shutter
- * Flat Field Correction
- * Pixel Defect Correction
- * Non-uniformity Correction (DSNU and PRNU)
- * Field Upgradable Firmware

Applications

- * FPD, Electronics and Semiconductor Inspection
- * Research and Scientific Imaging
- * Document / Film Scanning

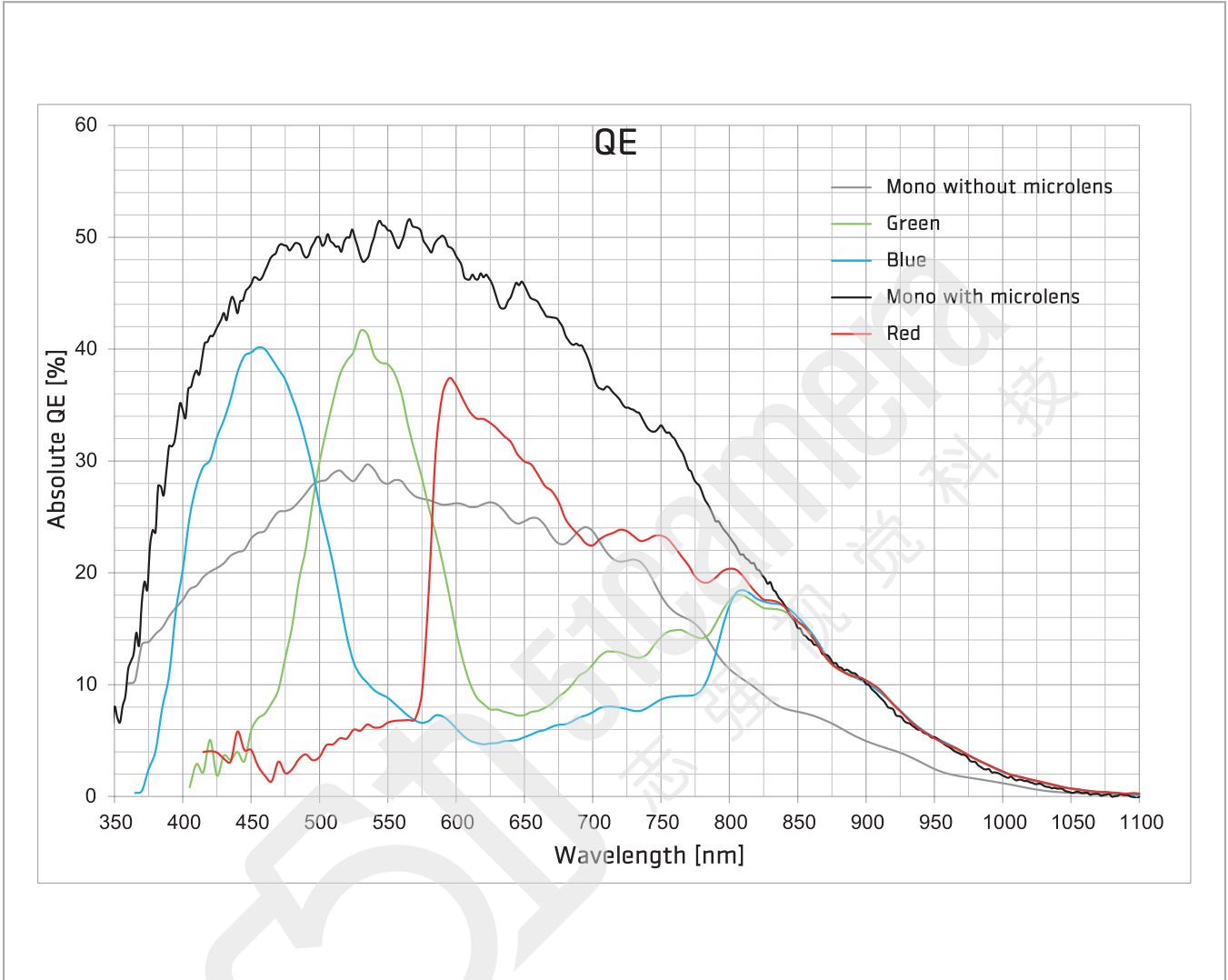
Specifications

Model	VC-71MC-M/C 4	
Resolution (H × V)	10000 × 7096	
Sensor	CMOSIS CHR70M	
Sensor Size (Optical Format)	31.00 mm × 22.00 mm (38 mm)	
Sensor Type	High Resolution CMOS Imaging Sensor	
Pixel Size	3.1 μm × 3.1 μm	
Interface	2 Tap	Camera Link Base
	4 Tap – Normal	Camera Link Medium
	4 Tap – High	
Max. Frame Rate	2.1 fps (CL Base)	
	3.0 fps (CL Medium)	
	4.2 fps (CL Medium / Overclocked)	
Transfer Time	476 ms (CL Base)	
	335 ms (CL Medium)	
	238 ms (CL Medium / Overclocked)	
Exposure Time	66 μs ~ 7 s (1 line step)	
Pixel Data Format	8 / 10 / 12 bit	
Electronic Shutter	Rolling Shutter	
Data Output	2 Tap	85 MHz
Pixel Clock Speed	4 Tap	Normal: 60 MHz / High: 85 MHz
Trigger Mode	Free-Run, External Trigger Programmable Exposure Time and Trigger Polarity	
Dynamic Range	63 dB	
Dimension / Weight	68 mm × 68 mm × 103 mm, 420 g (F-mount)	
Temperature	Operating: 0°C ~ 40°C, Storage: -40°C ~ 70°C	
Lens Mount	F-mount, Custom mount available upon request	
Power	10 ~ 38 V DC, Typ. 7.5 W	
Compliance	CE, FCC, KC (in preparation)	
Configuration Software	Configurator	

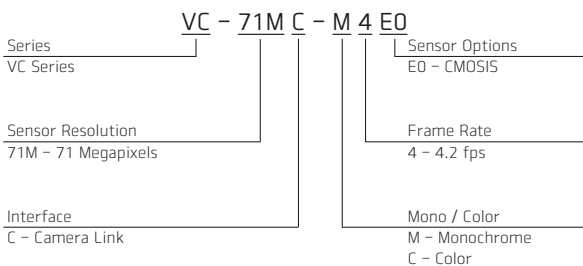
VC-71MC-4

71 MEGAPIXELS - ULTRA HIGH RESOLUTION CMOS DIGITAL CAMERA

Quantum Efficiency Curves



Ordering Scheme



Connector Specification

Power



1 2 3: +12V DC, 4 5 6: GND
(HR10A-7R-6PB)

Control



1: Trigger IN+, 2: Trigger IN-
3: DC Ground, 4: Strobe OUT+
(HR10A-7R-4S)

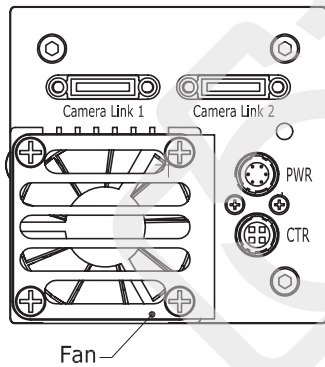
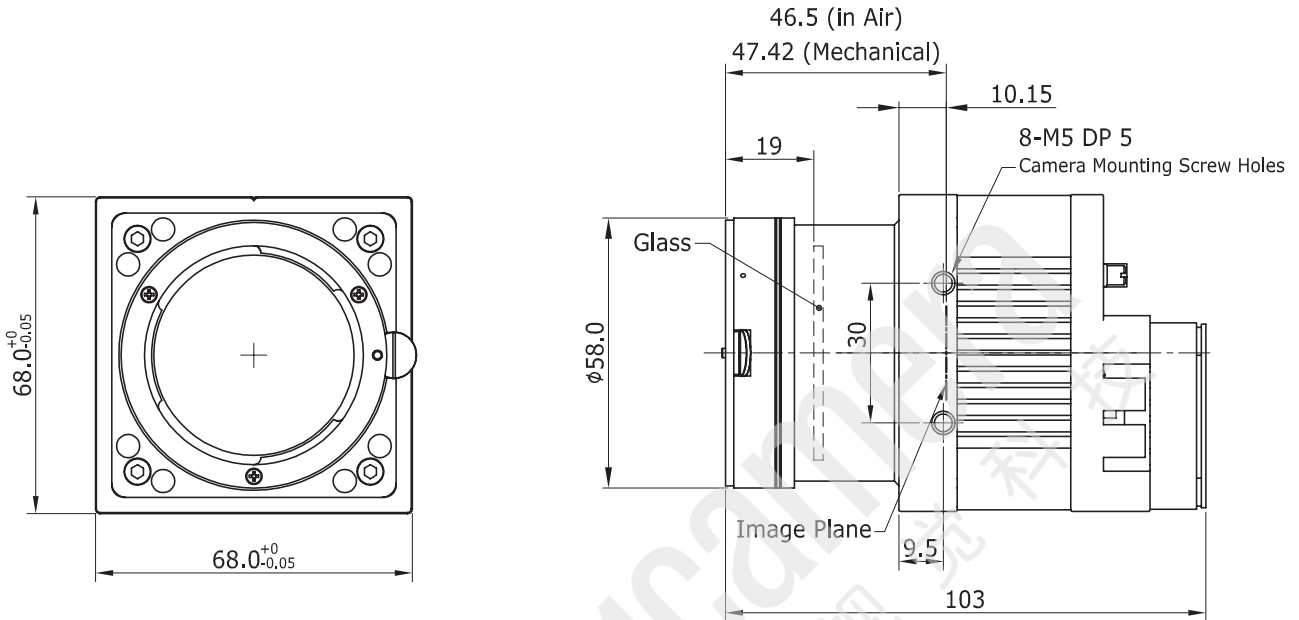
Connectors on camera body

VC-71MC-4

71 MEGAPIXELS - ULTRA HIGH RESOLUTION CMOS DIGITAL CAMERA

Mechanical Dimensions

Unit: mm



For more information please contact local distributor or visit our website at <http://www.vieworks.com>.

Reproduction in whole or in part without written permission is prohibited. Vieworks Co., Ltd. is not responsible for any technical or typographical errors and reserves the right to make changes to products, specifications and documentation without prior notice.

VW40-15B-001

VIEWWORKS

41-3, Burim-ro 170 beon-gil, Dongan-gu, Anyang-si, Gyeonggi-do, 14055 Republic of Korea
tel +82-70-7011-6161 fax +82-31-386-8631 e-mail sales@vieworks.com