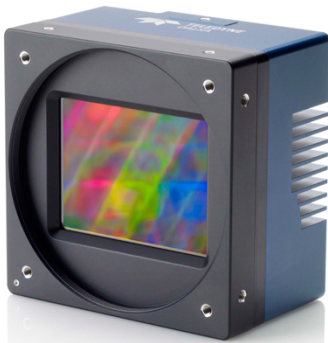


Falcon4 86M

Color and Monochrome CMOS Area Scan Cameras



Ultra High Resolution and High Speed CMOS Cameras

86 Megapixels at 16 fps with Global Shutter

Teledyne DALSA's new generation of color and monochrome area scan cameras—the Falcon4™ 86M—incorporate very large resolutions and faster frame rates, enabling high speed image capture with superb spatial resolution and improved image quality. The Falcon4 camera is the best choice for applications where throughput, resolution and high pixel capacity matter most.

Inside the Falcon4 camera is our leading-edge CMOS sensor, which enables high speeds at very large resolutions. This new production of CMOS sensors builds upon the performance levels of the earlier generations of Falcon cameras and improves on image quality attributes.

The Falcon4 cameras are compliant with GenICam™ and CameraLink HS™ (CLHS) specifications—delivering 8, 10, or 12 bits of data. The M95 thread opening allows for your choice of lens to use.

Key Features

- Global shutter and exposure control
- Faster frame rates through windowing
- Good NIR response
- Built-in FPN and PRNU correction
- CLHS and GenICam compliant

Programmability

- Adjustable analog / digital gain and offset
- 8, 10 or 12 bit selectable output
- Adjustable integration time and frame rate
- Test patterns and camera diagnostics

Typical Applications

- Aerial imaging
- Aerial reconnaissance
- Surveillance
- Machine vision

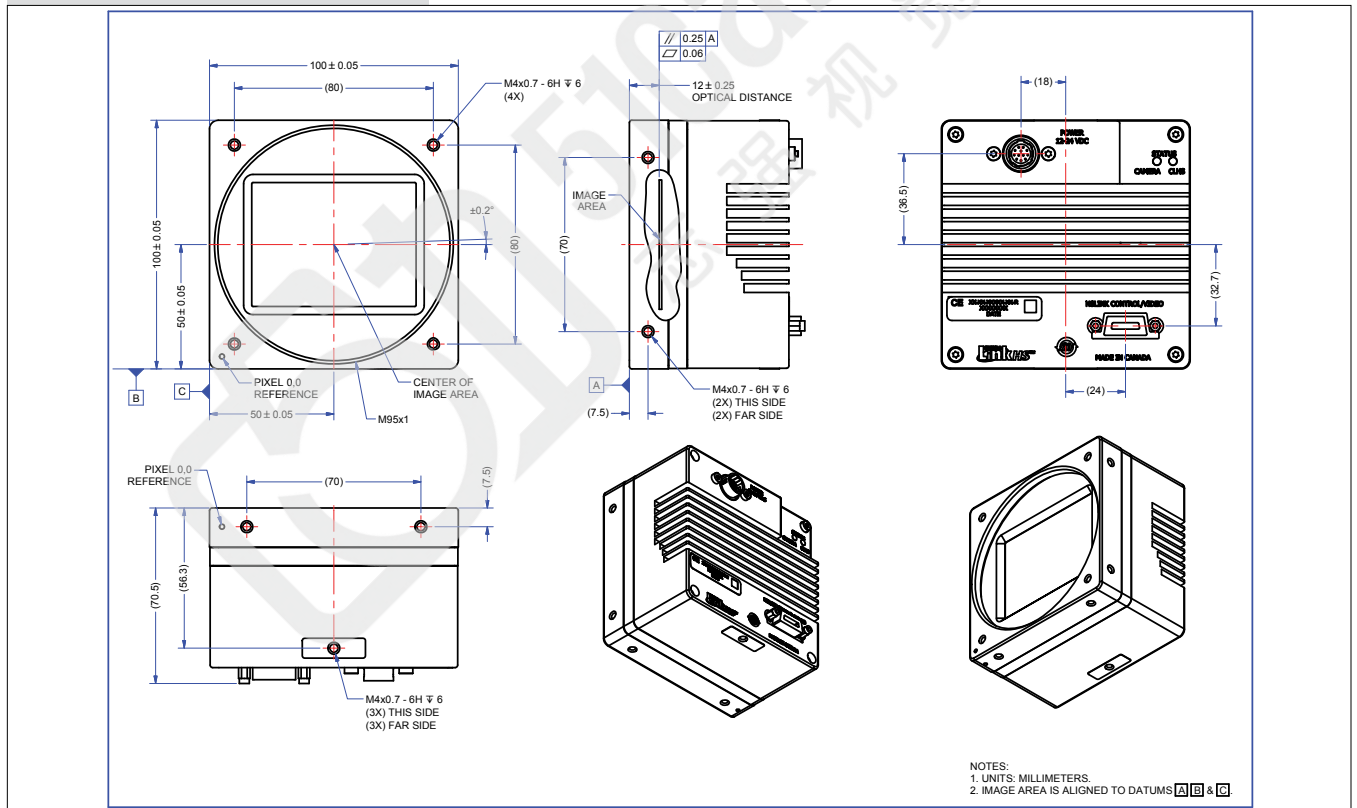
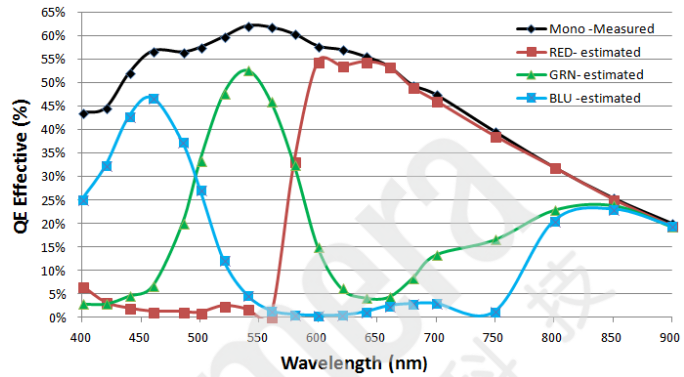
Specifications

Resolution	10720 (H) x 8064 (V)
Pixel Rate	1.37 Gpixel / s
Frame Rate	16 fps, maximum
Pixel Size	6 μm x 6 μm
Bit Depth	8 bits, 10 bits, or 12 bits
Lens Mount	M95 x 1
Dynamic Range	58 dB with global shutter 65 dB with rolling shutter
Exposure Time	100 μs minimum
Size	100 mm (H) x 100 mm (W) x 70.5 mm (D)
Mass	< 1 Kg
Operating Temp	0 °C to +50 °C, front plate temperature
Power	+12 V to +24 V DC, Hirose 12-pin circular
Power Dissipation	< 35 W
Data Interface	CLHS—single C2 7M1, CX4 connector
Regulatory Compliance	CE and RoHS
Camera Part Number	FA-S0-86M16 (monochrome), FA-S1-86M16 (color)



Falcon4 86M

Color and Monochrome CMOS Area Scan Cameras



www.teledynedalsa.com

Americas

Boston, USA
 +1 978-670-2000
sales.americas@teledynedalsa.com

Europe

Krailling, Germany
 +49 89-89-54-57-3-80
sales.europe@teledynedalsa.com

Asia Pacific

Tokyo, Japan
 +81 3-5960-6353
sales.asia@teledynedalsa.com

Shanghai, China
 +86 21-3368-0027
sales.asia@teledynedalsa.com