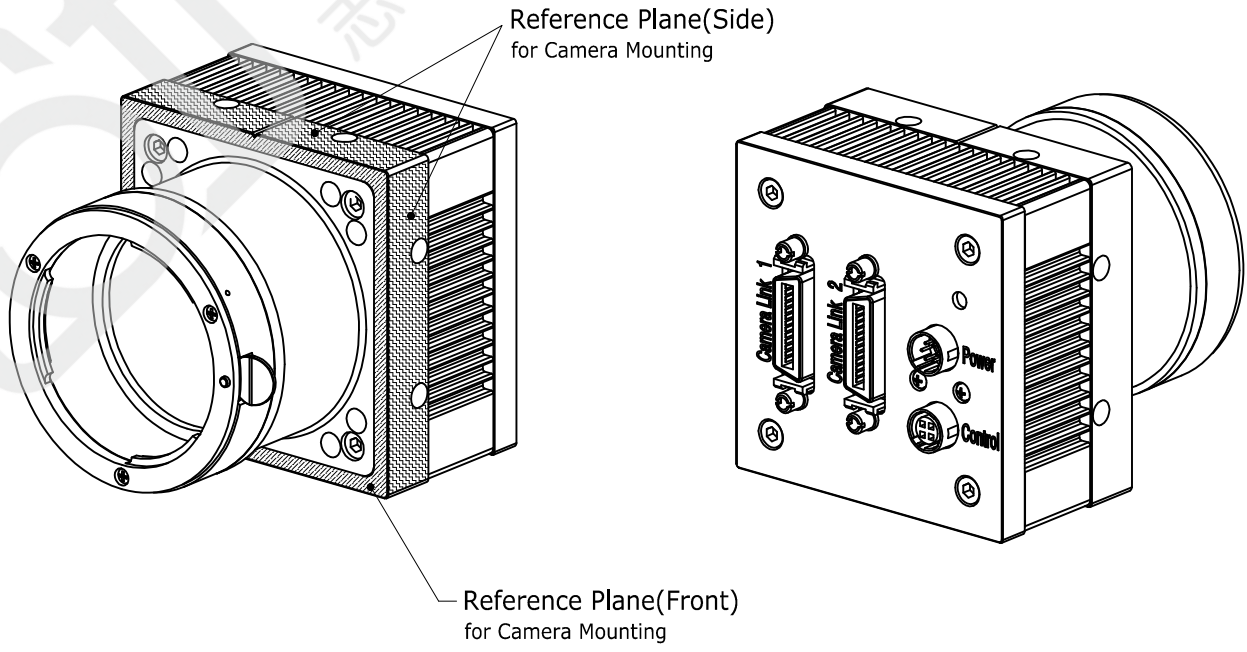
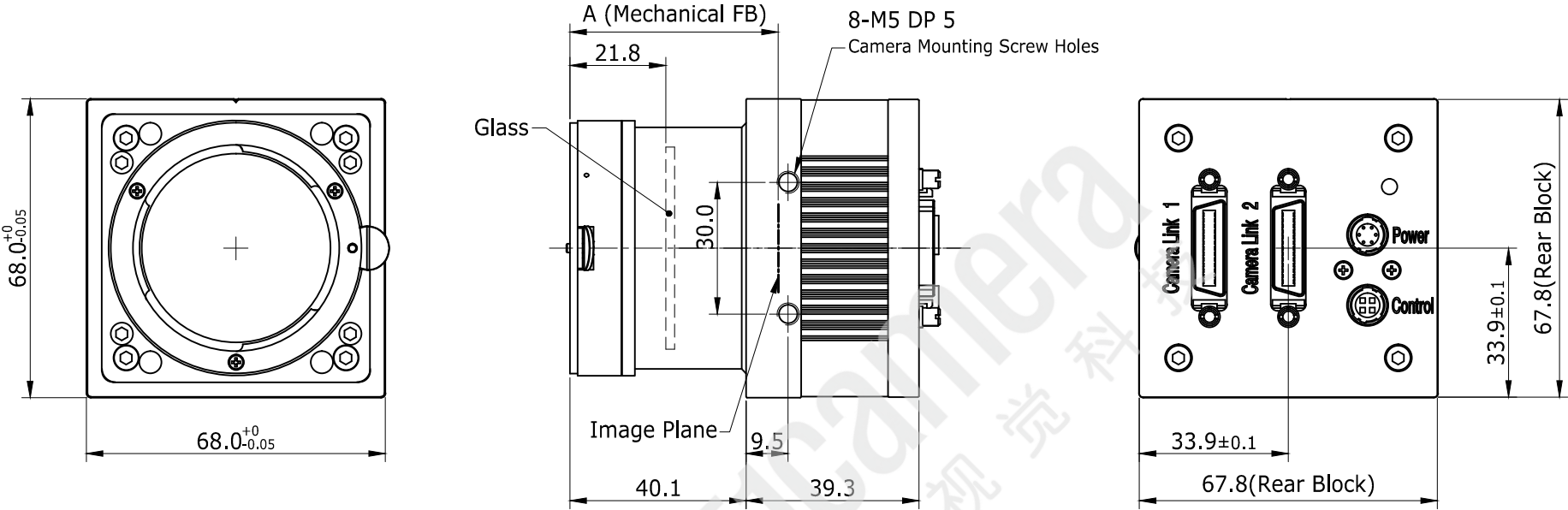
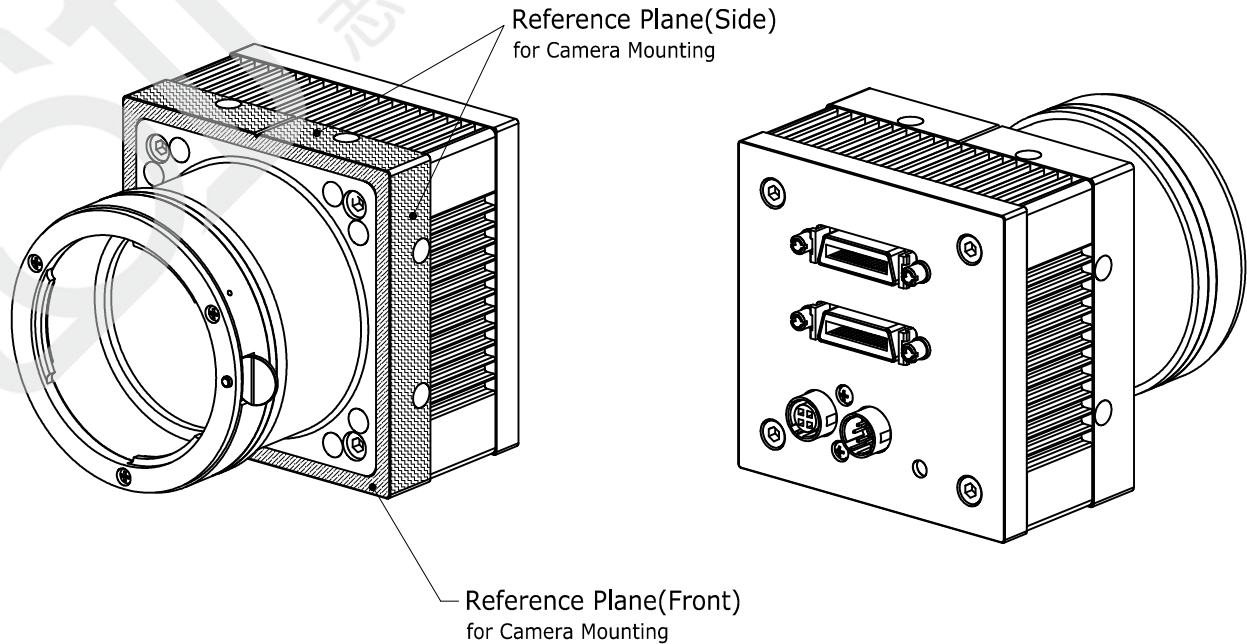
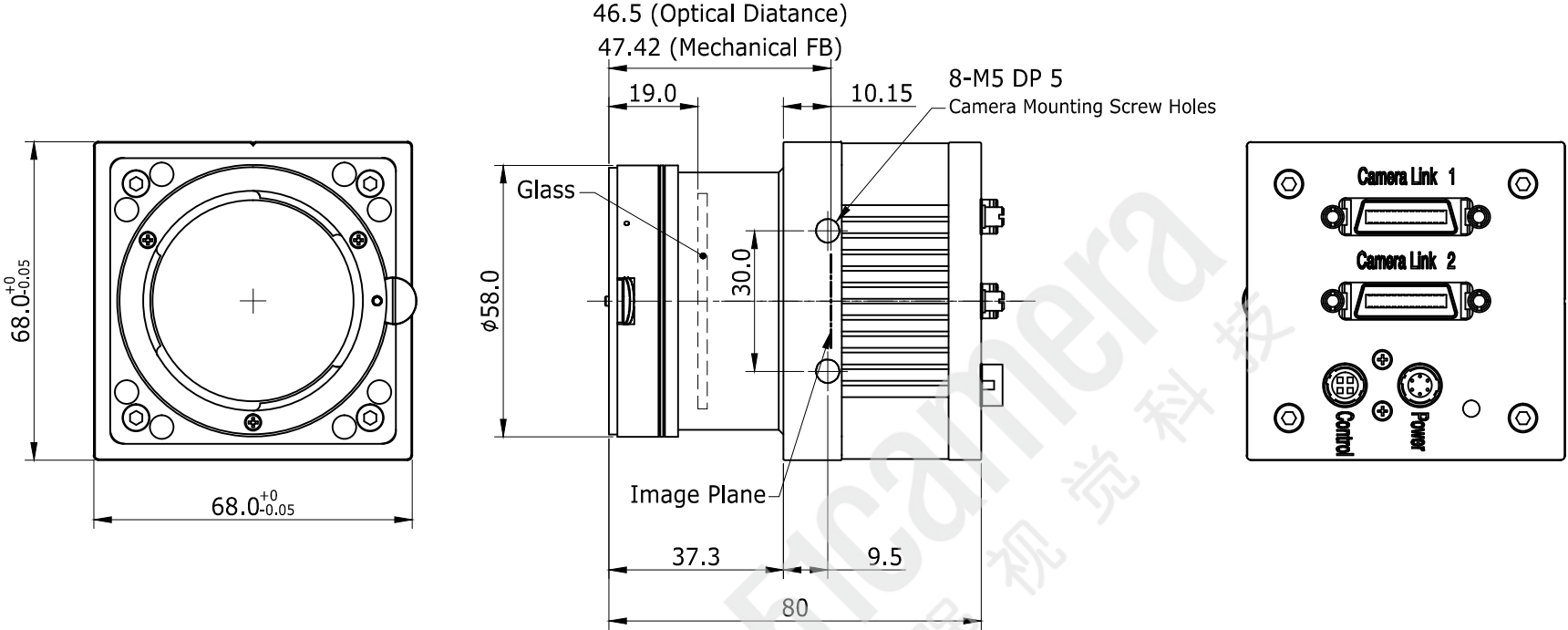


**MODEL NAME**

Lens Mount: C-mount		A
1	VC-2MC-M/C	18.36
2	VC-3MC-M/C	18.52
3	VC-4MC-M/C	18.36

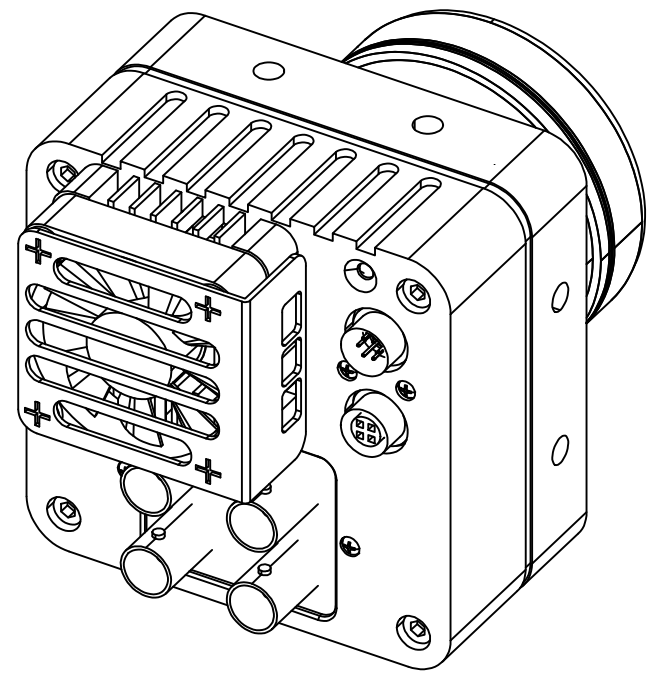
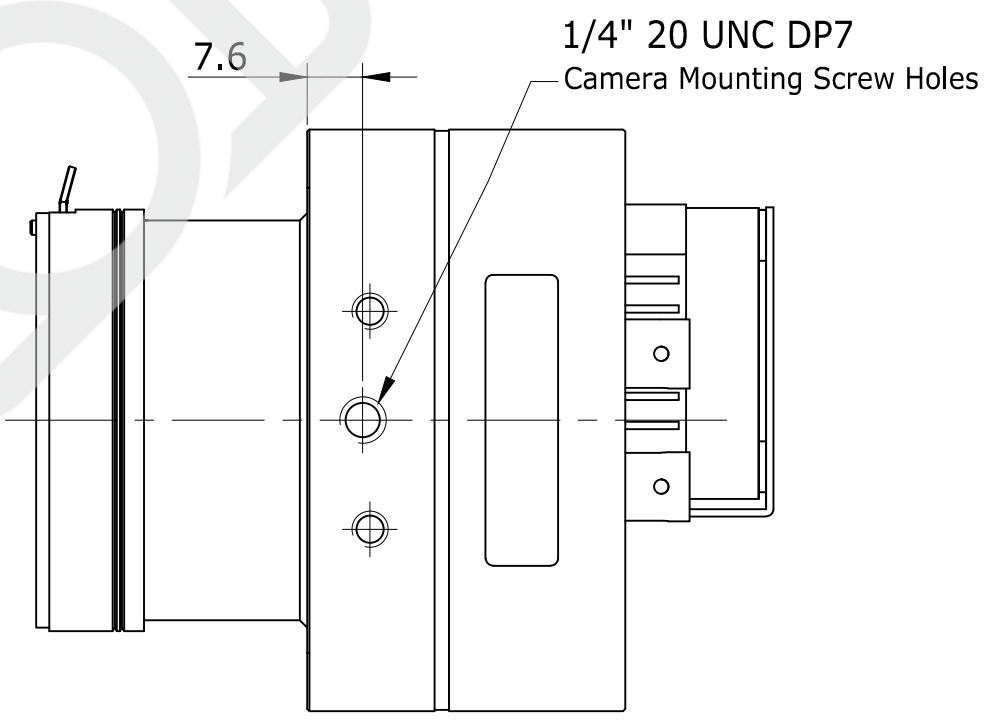
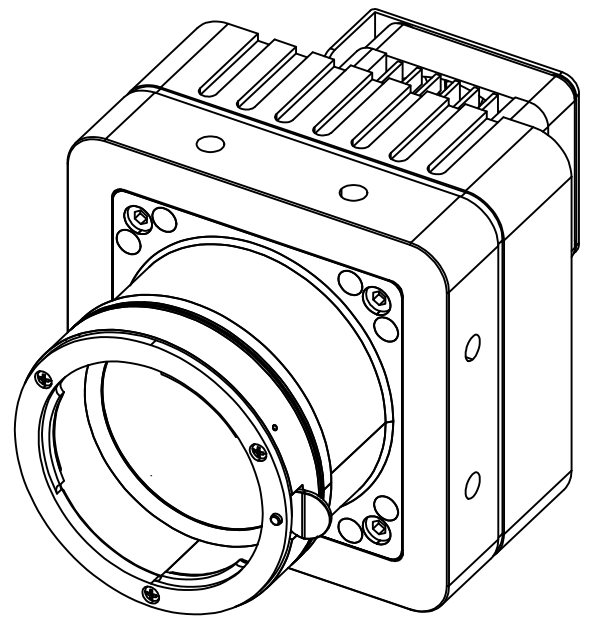
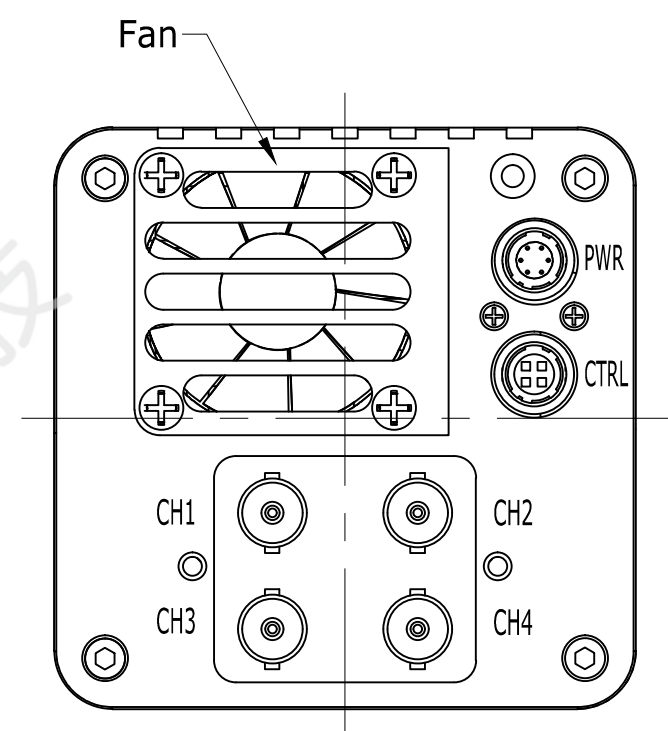
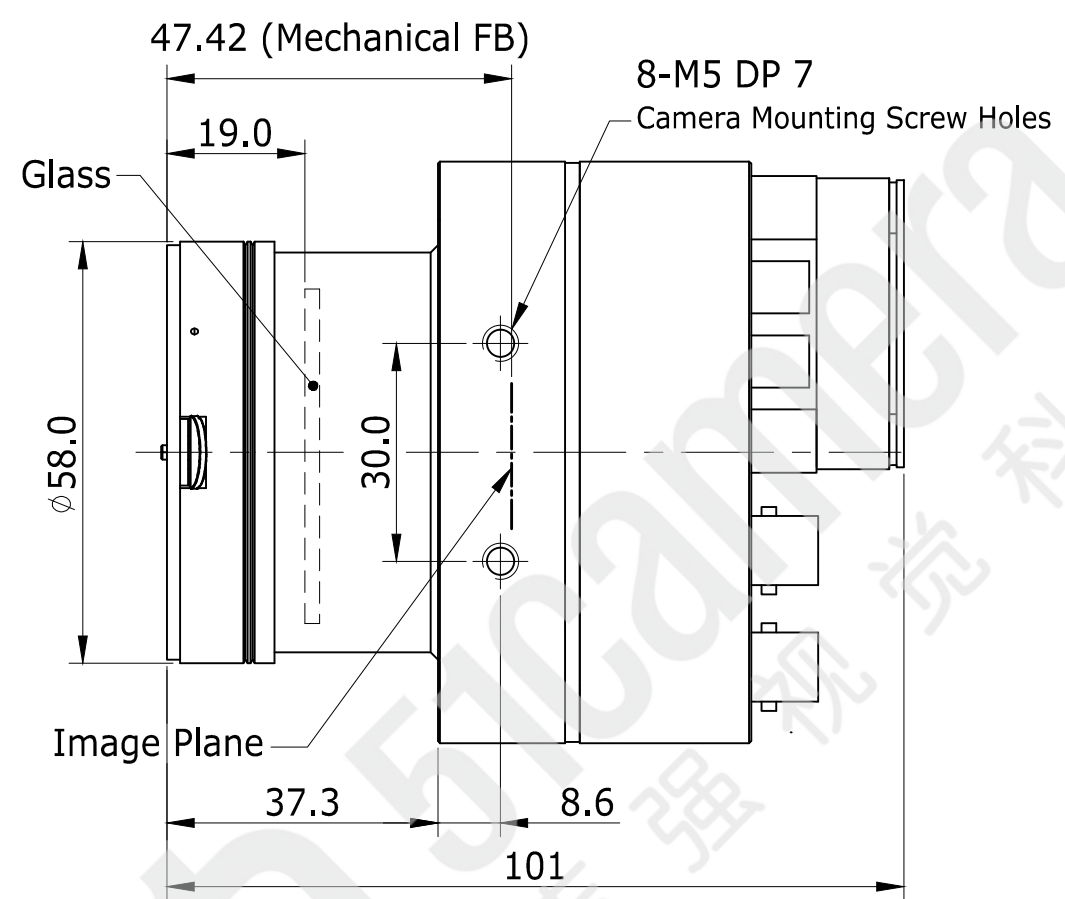
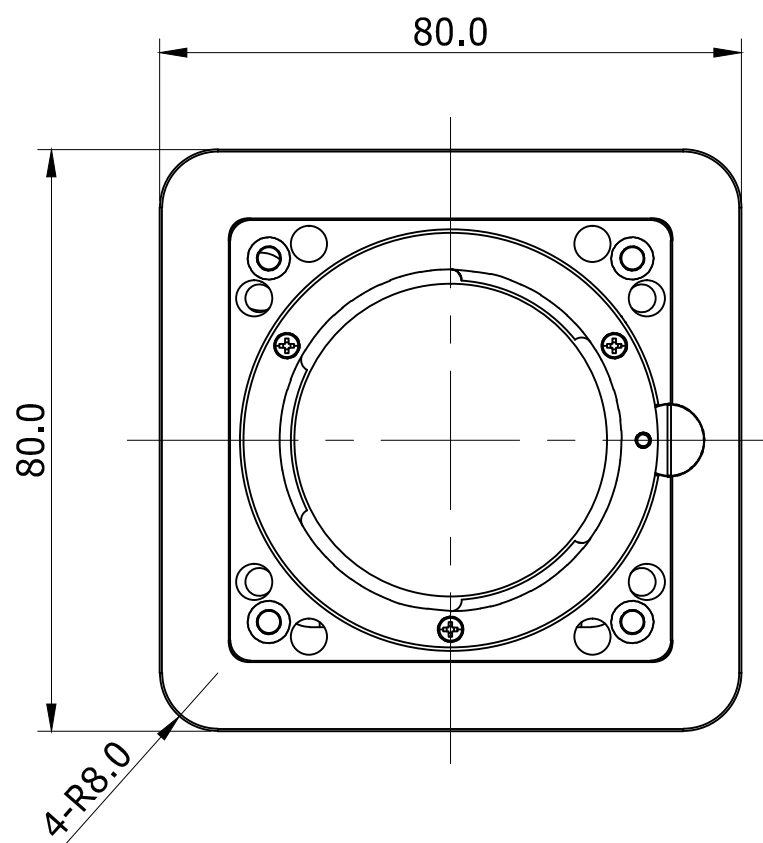


<b>MODEL NAME</b>		
<b>Lens Mount: F-mount</b>		<b>A</b>
1	VC-2MC-M/C	47.35
2	VC-3MC-M/C	47.51
3	VC-4MC-M/C	47.35

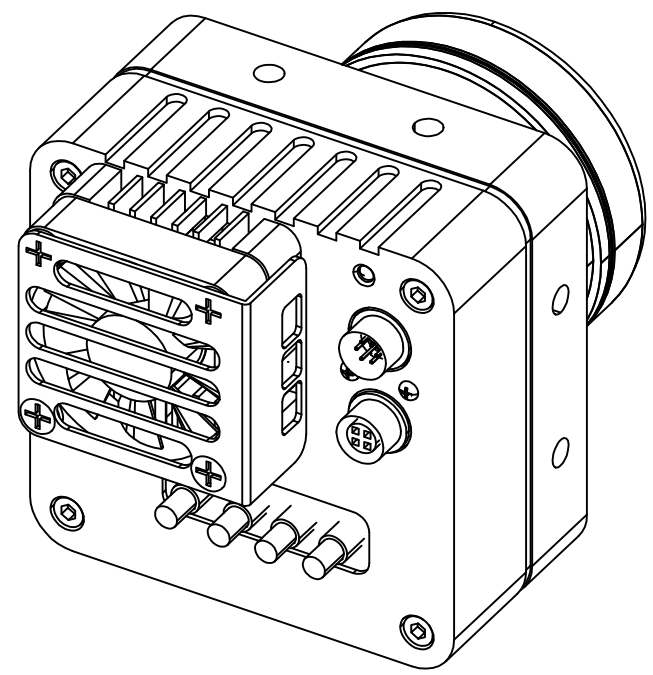
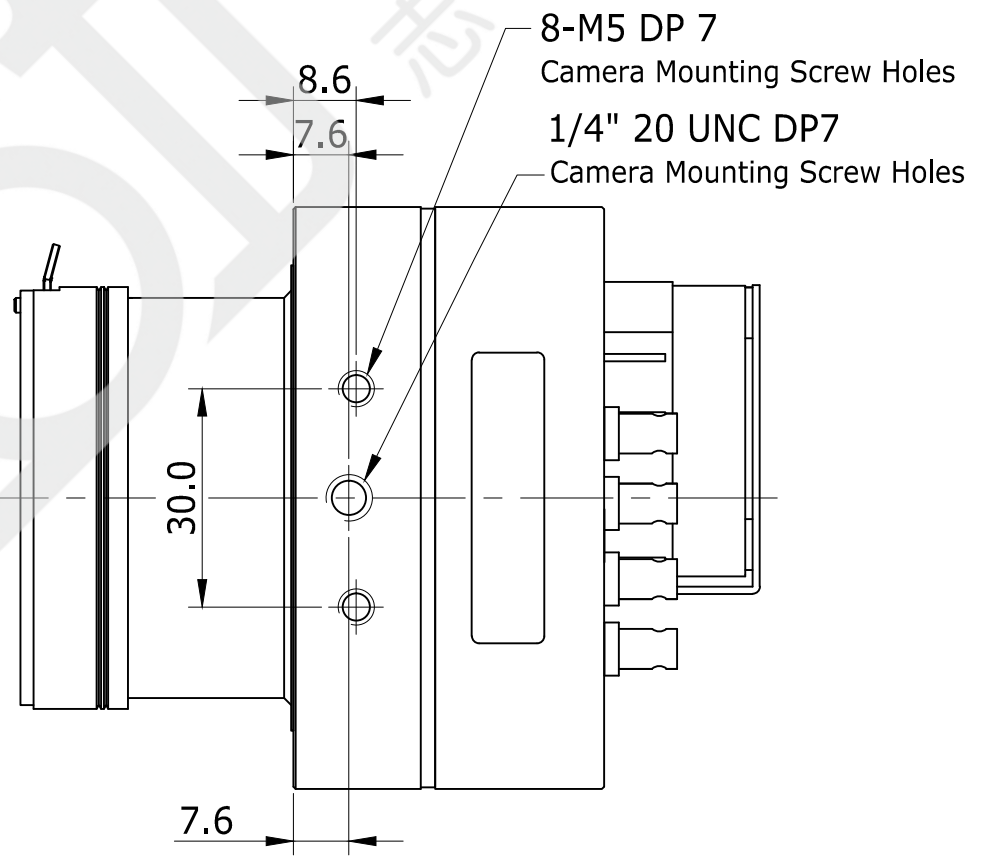
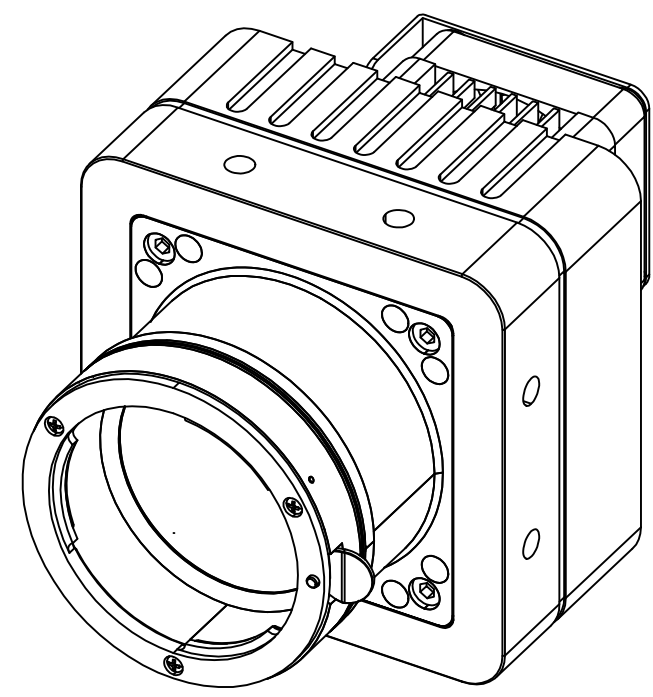
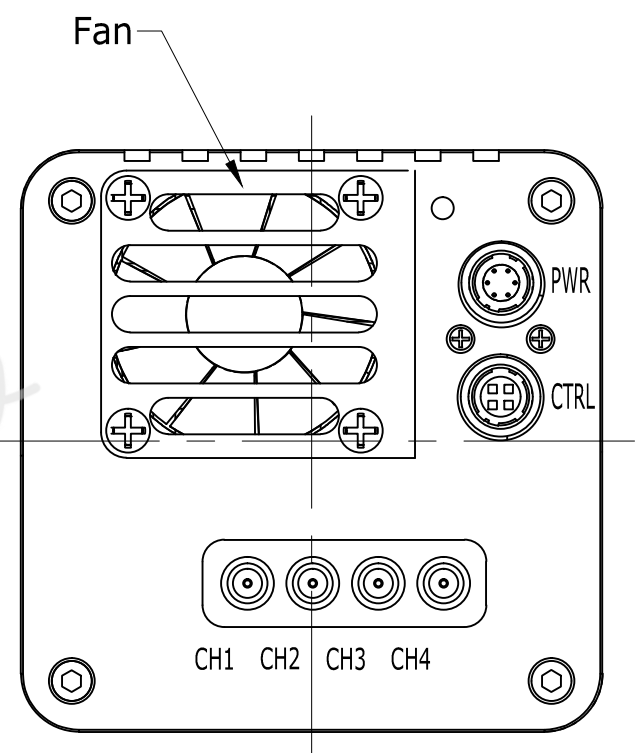
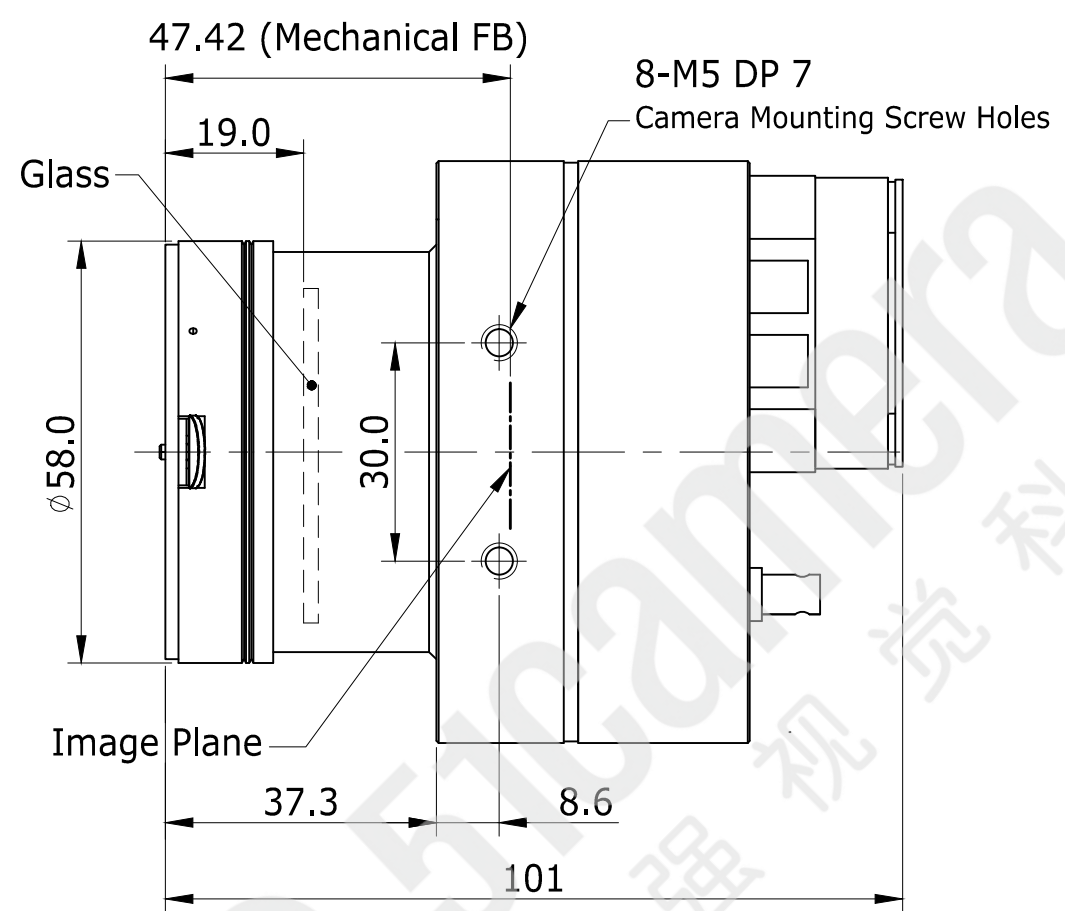
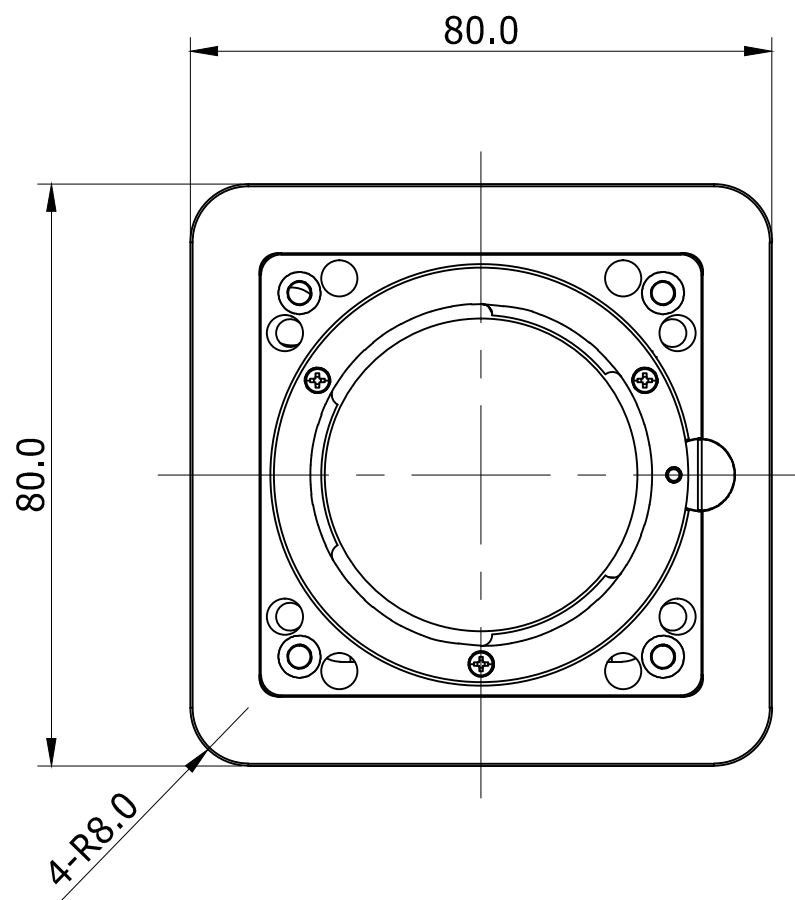


MODEL NAME	
Lens Mount: F-mount	
1	VC-12MC-M/C
2	VC-25MC-M/C
3	VC-25MC2-M/C

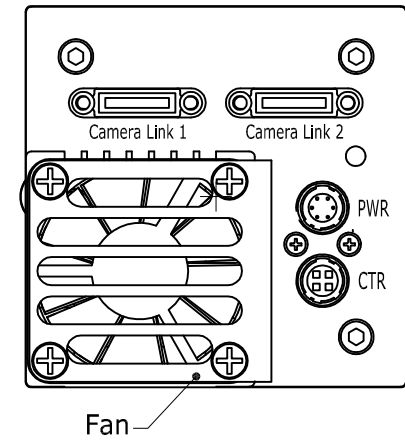
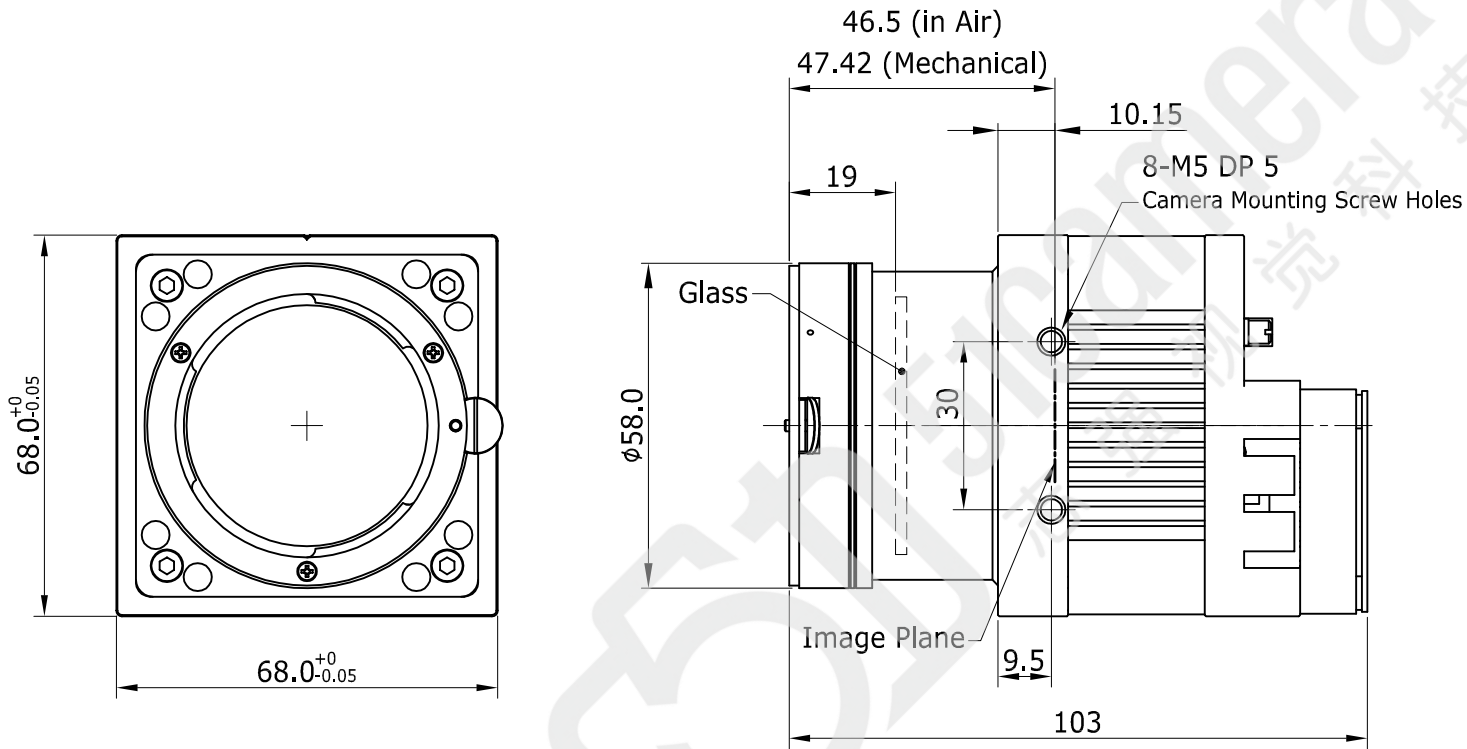
\* General Tolerance:  $\pm 0.1$ mm



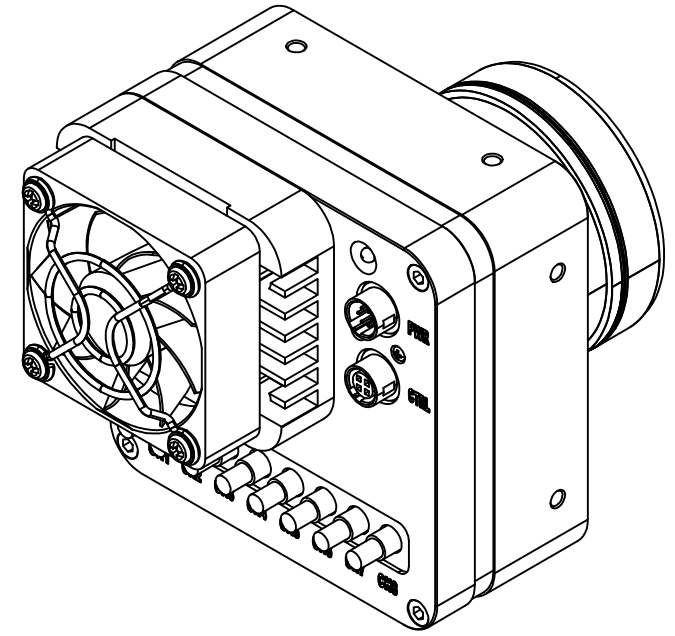
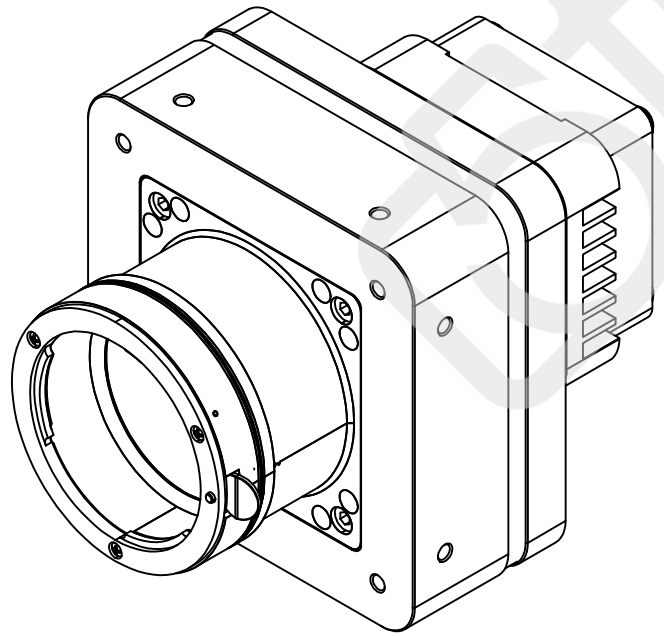
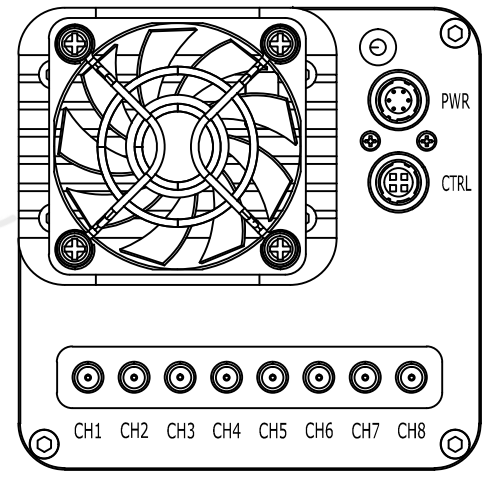
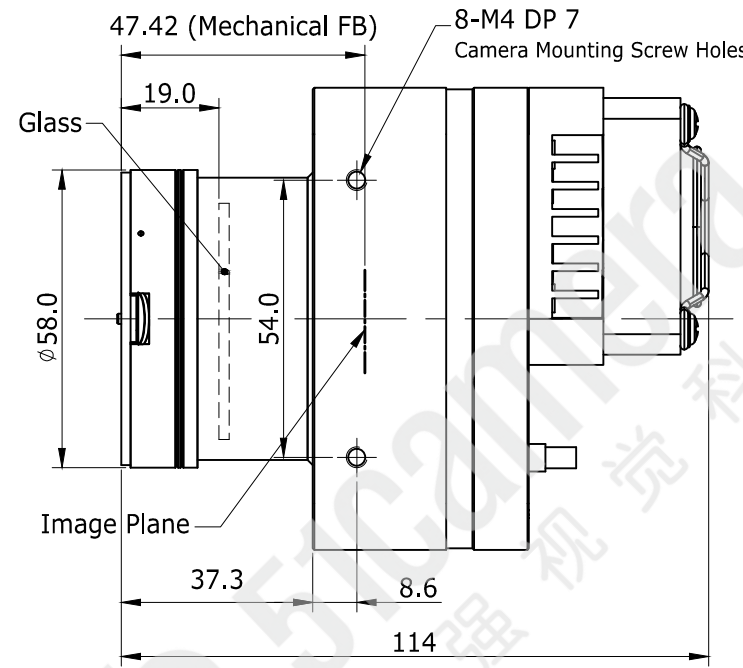
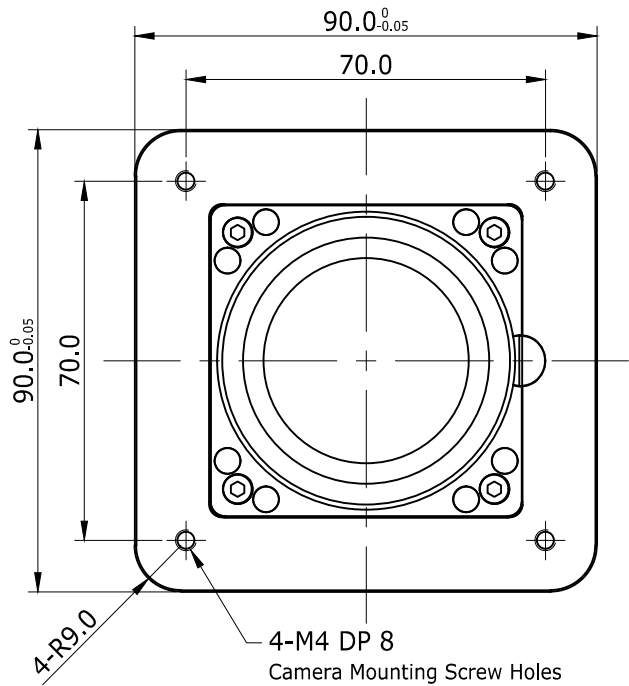
MODEL NAME	
Lens Mount: F-mount	
1	VC-12MX-M/C
2	VC-25MX-M/C
3	VC-25MX2-M/C



MODEL NAME	
Lens Mount: F-mount	
1	VC-12MX-M/C
2	VC-25MX-M/C
3	VC-25MX2-M/C

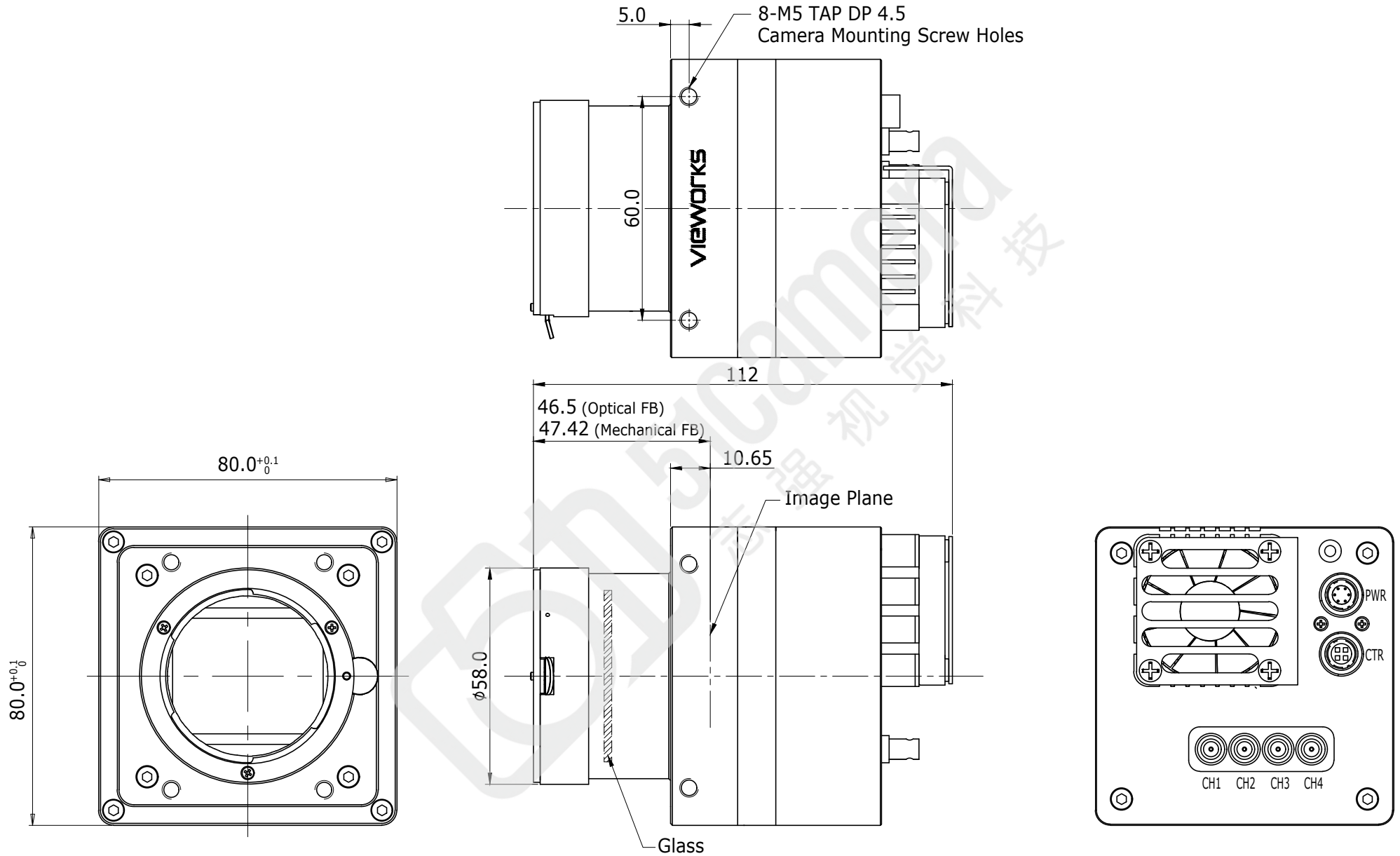


<b>MODEL NAME</b>	
Lens Mount: F-mount	
1	VC-71MC-M/C



<b>MODEL NAME</b>	
Lens Mount: F-mount	
1	VC-12MX-M330-M/C

UNIT	ITEM	REVISION	1.0
mm	VC-50MX-DIN-FM-V1.0		'18.03.22



**Lens Mount: F-mount**

1 VC-50MX-M/C