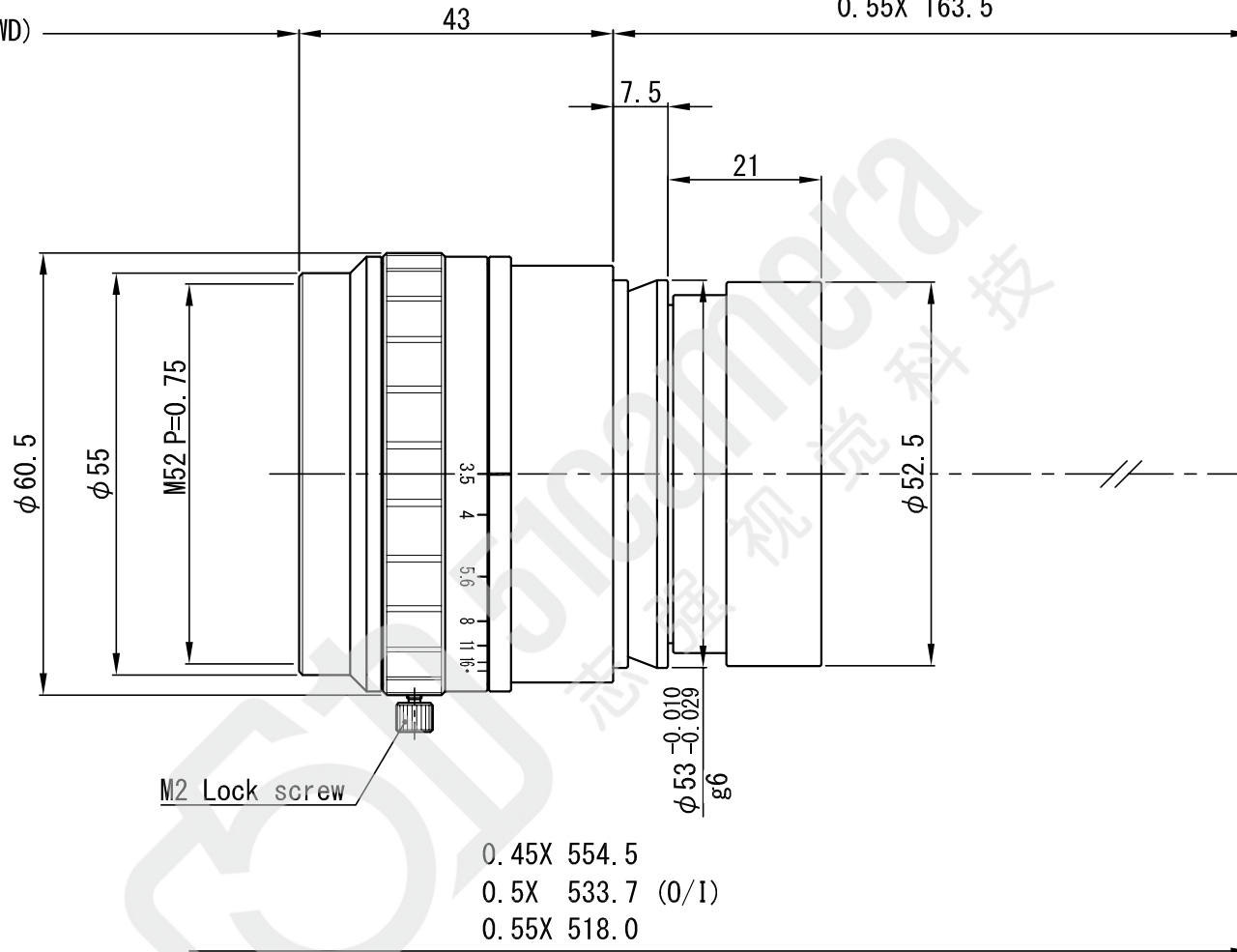


0.45X 360.0
 0.5X 333.2 (WD)
 0.55X 311.5

0.45X 151.5
 0.5X 157.5 (FB)
 0.55X 163.5



0.45X 554.5
 0.5X 533.7 (0/1)
 0.55X 518.0

| | | | | | | | | | | | |
|----------|---------------|------|------|------------|---------|------------------------|----------------------|-----------------|-----------|-----------------|------------|
| △× | | | | APPROVED | CHECKED | MATERIAL 材料 | - | CHAMFER 一般面取 | - | QUANTITY 个数 | |
| △× | | | | T. A. | T. A. | TREATMENT 处理 | - | FINISHING 仕上 | - | - | |
| △× | | | | | | TREATMENT CONTACT 处理接点 | - | DECENTRATION 偏芯 | - | | |
| △× | | | | DESIGNED | DRAWN | OVER 250 UP TO 1000 | ±0.3 ±0.5 ±1.0 ±0.2 | ANGLE 角度 | METHOD 图法 | REMARK 適用 (機種名) | |
| △× | | | | T. A. | T. T. | OVER 63 UP TO 250 | ±0.2 ±0.3 ±0.6 ±0.15 | UNIT (mm) | - | VS-L12035-05/V | |
| △× | | | | | | OVER 16 UP TO 63 | ±0.1 ±0.2 ±0.4 ±0.1 | | | | SCALE |
| △× | | | | | | OVER 0 UP TO 16 | ±0.05 ±0.1 ±0.2 ±0.1 | DATE | 14.11.19 | DRAW NO. | 010E0804A1 |
| NO. × 箇所 | REVISION 訂正事項 | DATE | NAME | TOLERANCES | | A | B | C | S | | |