

M3514-MP

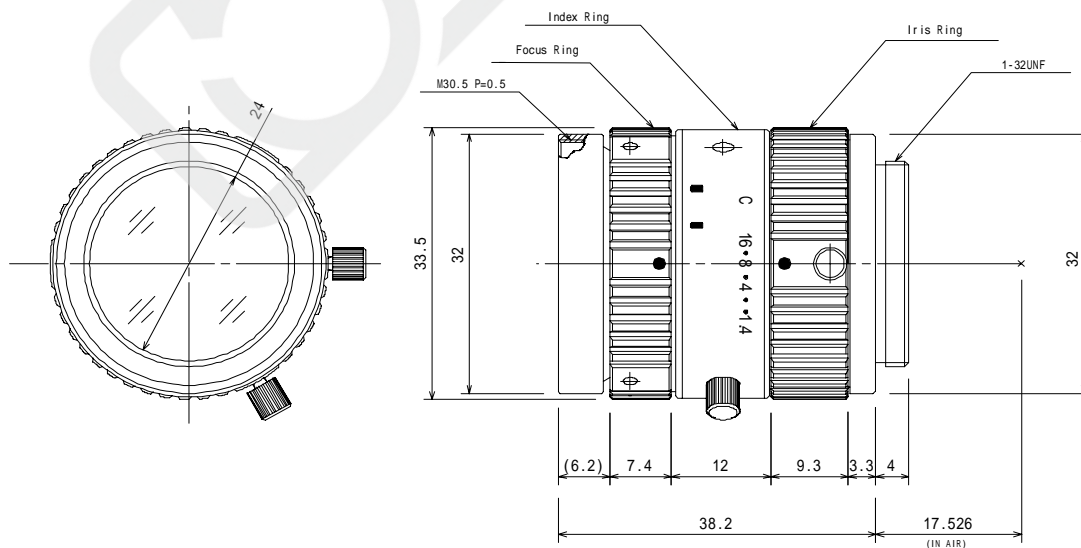
f=35mm F1.4
for 2/3 type Megapixel Cameras
C-Mount



Model No.		M3514-MP		Effective	Front	φ 24mm			
Focal Length		35mm		Lens Aperture	Rear	12mm			
Max. Aperture Ratio		1:1.4		Distortion	2/3 type	-0.8%(y=5.5)			
Max. Image Format		8.8mm x 6.6mm(11mm)			1/2 type	-0.39%(y=4.0)			
Operation Range	Iris	F1.4 F16C		Back Focal Length		17.1mm			
	Focus	0.3m Inf.		Flange Back Length		17.526mm			
Control	Iris	Manual		Mount		C-Mount			
	Focus	Manual		Filter Size		M30.5 P=0.5mm			
Object Dimension at M.O.D	2/3 type	8.1cm x 6cm		Dimensions		33.5mm x 38.2mm			
	1/2 type	5.9cm x 4.4cm		Weight		87g			
Angle of View	D	2/3 type	17.3 °	1/2 type	12.6 °				
			H					13.9 °	10.1 °
			V					10.4 °	7.6 °
Operating Temperature		-10 +50							

M.O.D : Minimum Object Distance

Dimensions



Specifications are subject to change without notice.